

Ersatzteilliste

Herkules FC-20 II



Stand/Version: 4/2005 Vers. 1.1

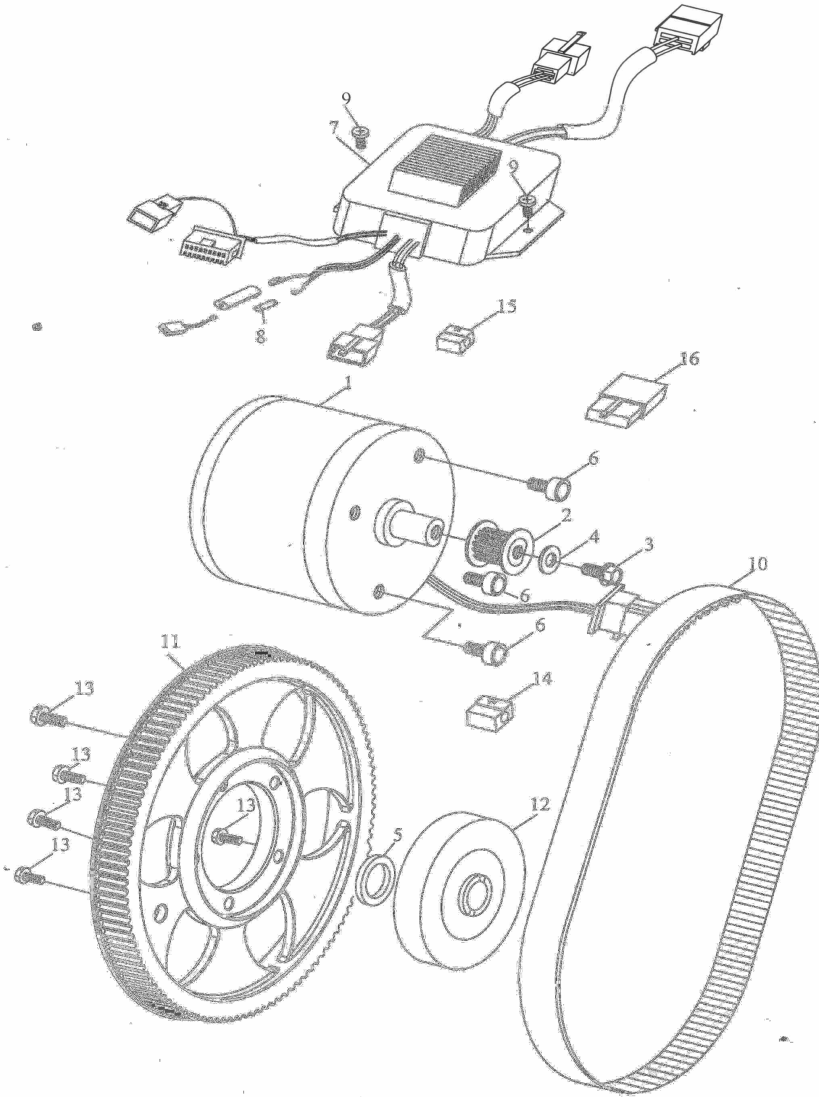


Motorgeräte



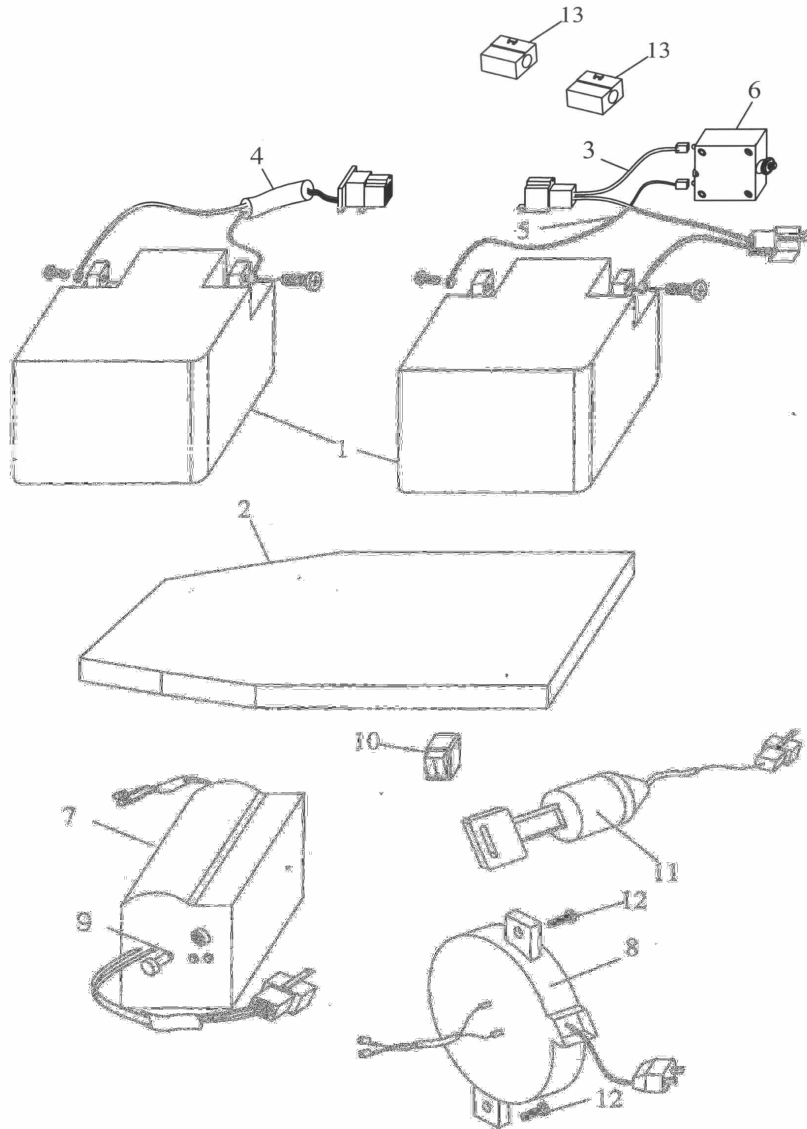
Antrieb 207A-01

ELECTRICAL SYSTEM



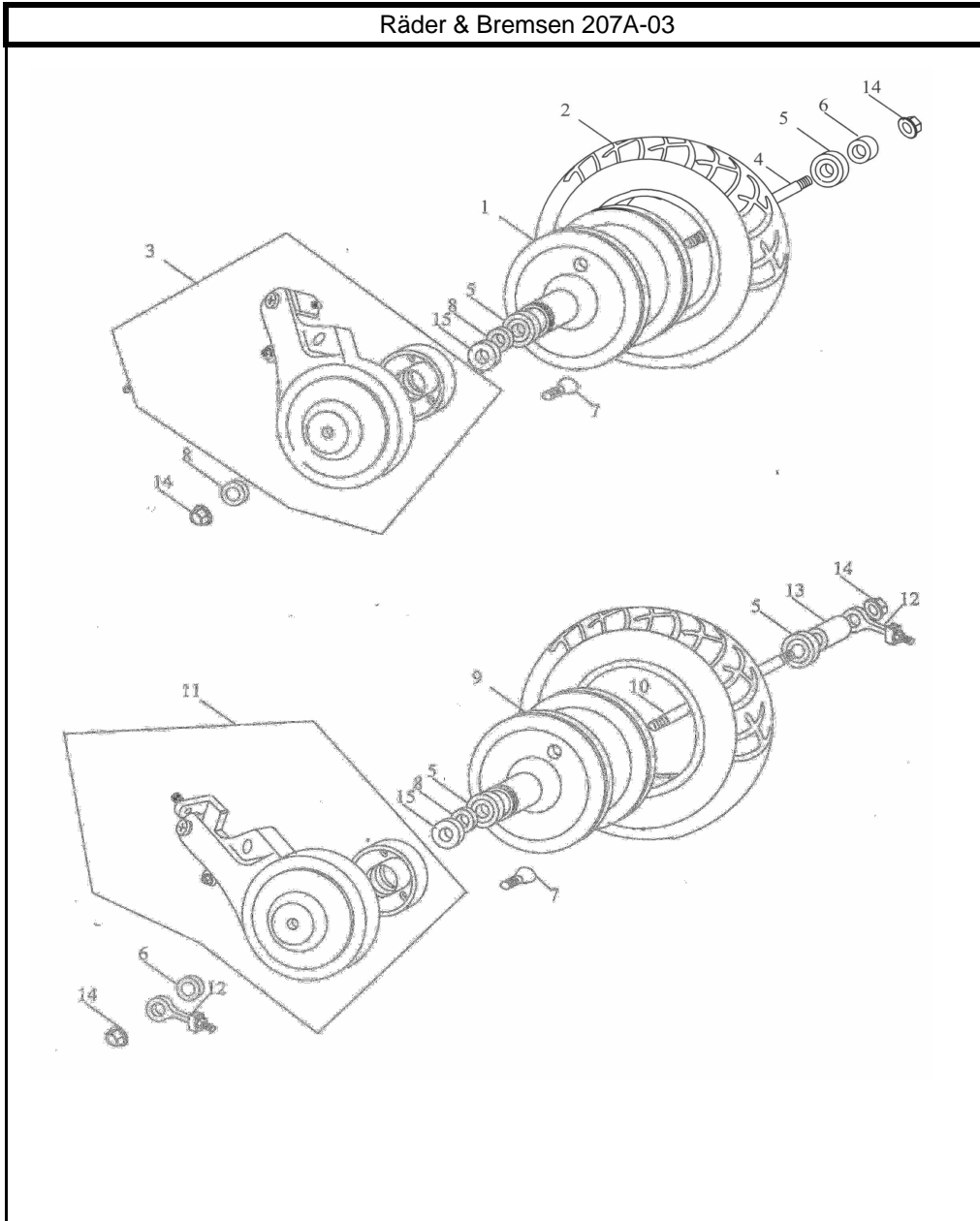
Pos.	Teile Nr.	STK	Beschreibung	Anmerk.
1	31200-165-00D	1	MOTOR	24V 450W
2	23801-165-00B	1	DRIVE SPROCKET	14T
3	96003-06015	1	FACE BOLT	6*15
4	94101-0618010	1	PLAIN WASHER	6*18*1
5	94101-2434040	1	PLANE WASHER	24*34*4.0
6	91000-06012	4	HEX SOCKET BOLT	6*12
7	30410-165-00C	1	CONTROLLER	VR 450W
8	98200-106-000	1	FUSE	7A
9	93500-04006	2	PAN PHILLIPS BOLT	4*6
10	23100-165-00A	1	BELT	860-20
11	41201-165-00B	1	REAR SPROCKET	135T
12	28400-165-001	1	DRIVEN CLUTCH	
13	93500-05016	5	PAN PHILLIPS BOLT	5*16
14	30412-165-000	1	COIL(BIG)	KC KCF-130-B
15	30413-165-000	1	COIL (SMALL)	KC KCF-100-B
16	38303-165-000	1	RELAY	

Batterien & Ladegerät 207A-02



Pos.	Teile Nr.	STK	Beschreibung	Anmerk.
1	31500-165-000	2	BATTERY	WP26-12
2	17505-165-000	1	SPONGE	
3	32101-165-001	1	BATTERY WIRE B	12AWG(...:280)
4	32102-165-000	1	BATTERY WIRE B	12AWG
5	32103-165-001	1	BREAKER WIRE	12AWG
6	38302-165-00A	1	BREAKER	40AMP
7	31600-165-00A	1	CHARGER	5AMP
8	31601-165-00A	1	WIRE BOX	2.5A 250V CB
9	98200-165-000	1	FUSE	10A
10	35150-165-000	1	HEAD LIGHT SWITCH	
11	35100-165-002	1	MAIN SWITCH ASS'Y	
12	93500-04016	2	PAN PHILLIPS BOLT	4*16
13	30412-165-000	2	COIL(BIG)	KC KCF-130-B

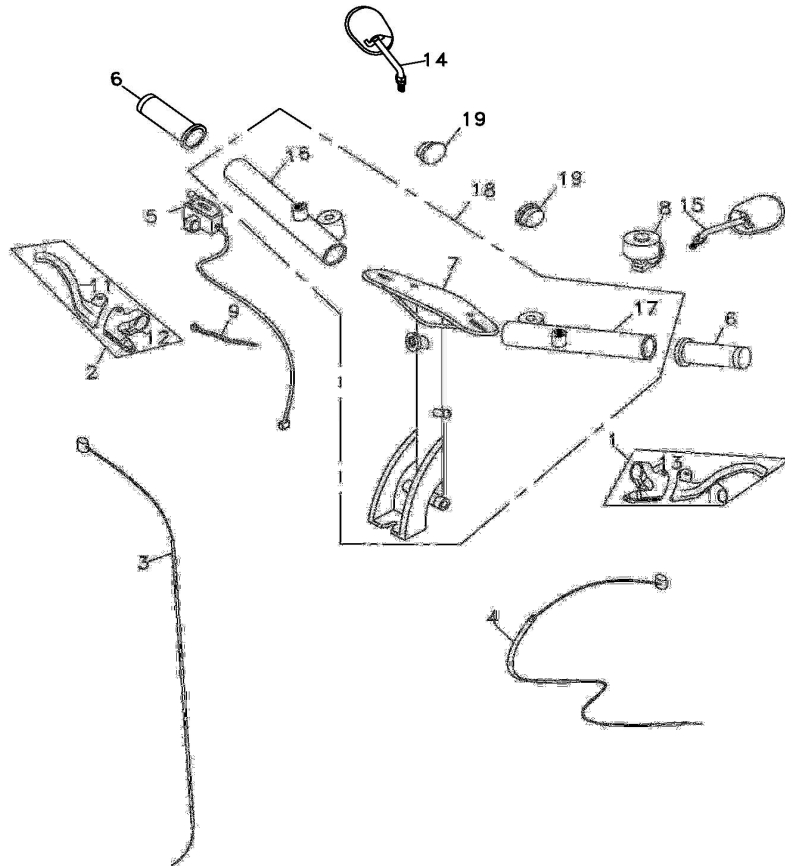
Räder & Bremsen 207A-03



Pos.	Teile Nr.	STK	Beschreibung	Anmerk.
1	42701-207-000	1	FRONT RIM	
2	42711-165-000	2	TIRE	4.10/3.5-6,4PLY
3	45010-165-000	1	BRAKE PLATE	#80
4	44301-165-000	1	FRONT WHEEL AXLE	L=197
5	96100-6200Z	4	RADIAL BALL BEARING	6200Z
6	96401-1018005	2	SPACE TUBE	10*18*5
7	42616-165-000	2	AIR NOZZLE	
8	96401-1018008	3	SPACE TUBE	10*18*8
9	42801-207-000	1	REAR WHEEL RIM	
10	42301-207-000	1	REAR WHEEL AXLE	L=259
11	43010-165-000	1	REAR BRAKE PLATE	#90
12	40543-165-000	2	DRIVE BELT ADJUSTER	
13	96401-1018040	1	SPACE TUBE	10*18*40
14	94050-10000	4	HEX FLANGE NUT	10mm
15	94101-1028030	2	PLAIN WASHER	

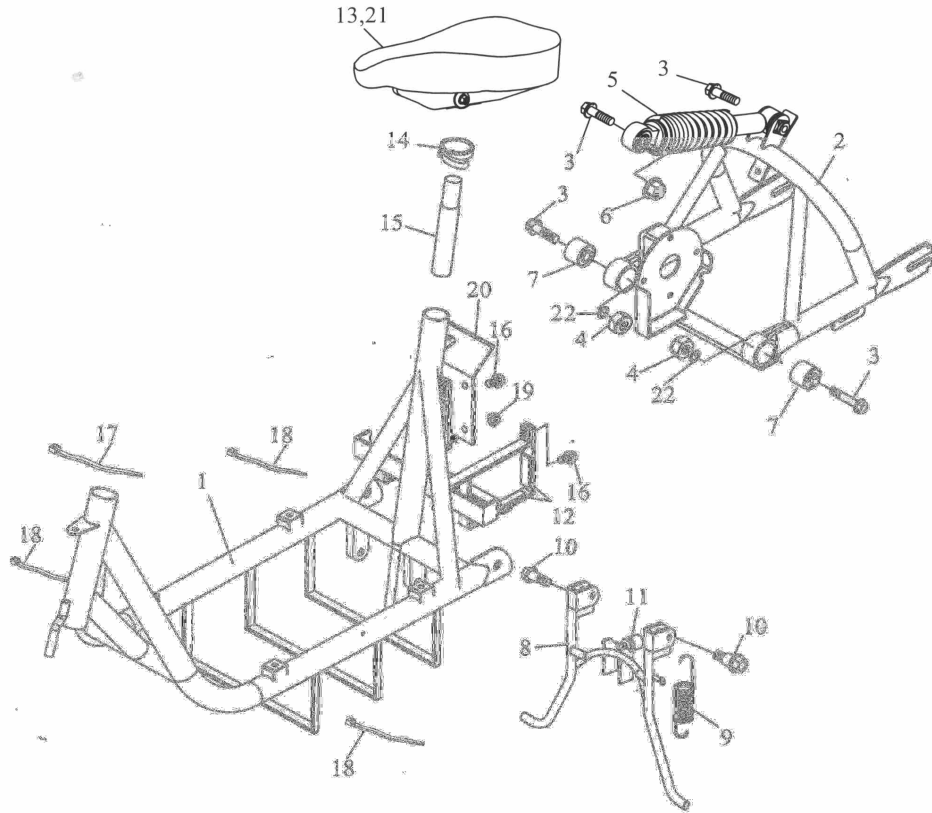
Lenker 207A-04

HANDLE



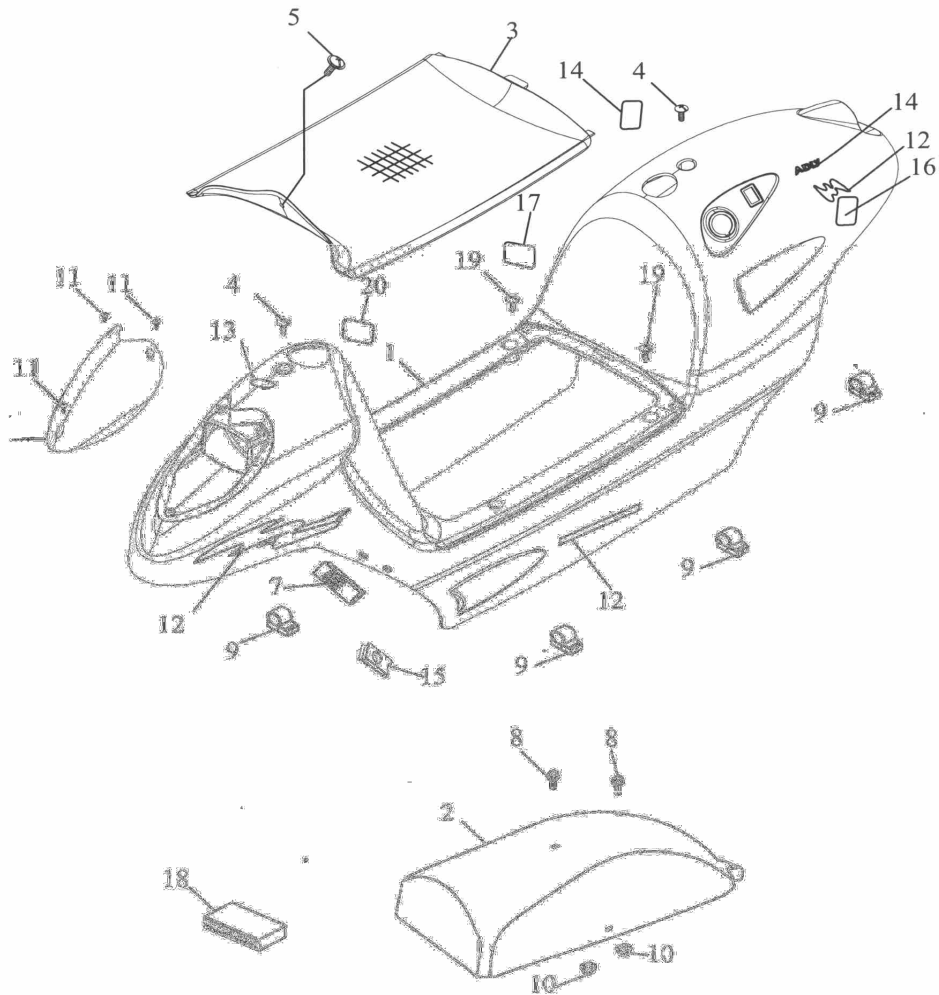
Pos.	Teile Nr.	STK	Beschreibung	Anmerk.
1	53178-165-00A	1	LEFT LEVER ASS'Y	BL/39G
2	53175-165-00A	1	RIGHT LEVER ASS'Y	BL/39G
3	45450-165-00A	1	FRONT BRAKE CABLE	
4	43450-165-00A	1	REAR BRAKE CABLE	
5	53170-165-000	1	THROTTLE CONTROL (VR)	
6	53165-165-00A	2	HANDLE GRIP	
7	53231-207-000	1	HANDLE BRIDGE COMP.	
8	38110-165-000	1	BELL	JH-909-2
9	90669-168-000	1	CABLE TIE	3*150 m/m
10	53185-165-00A	1	LEFT LEVER	
11	53182-165-00A	1	RIGHT LEVER	
12	53172-165-000	1	R. LEVER BASE	
13	53173-165-000	1	L. LEVER BASE	
14	88110-165-00A	1	R.REAR VIEW MIRROR	E-MARK
15	88120-165-00A	1	L.REAR VIEW MIRROR	E-MARK
16	53107-207-000	1	RH. HANDLE BAR	
17	53108-207-000	1	LH. HANDLE BAR	
18	53100-207-000	1	HANDLE BAR	
19	64330-145-000	2	RUBBER CAP	

Rahmen 207A-05



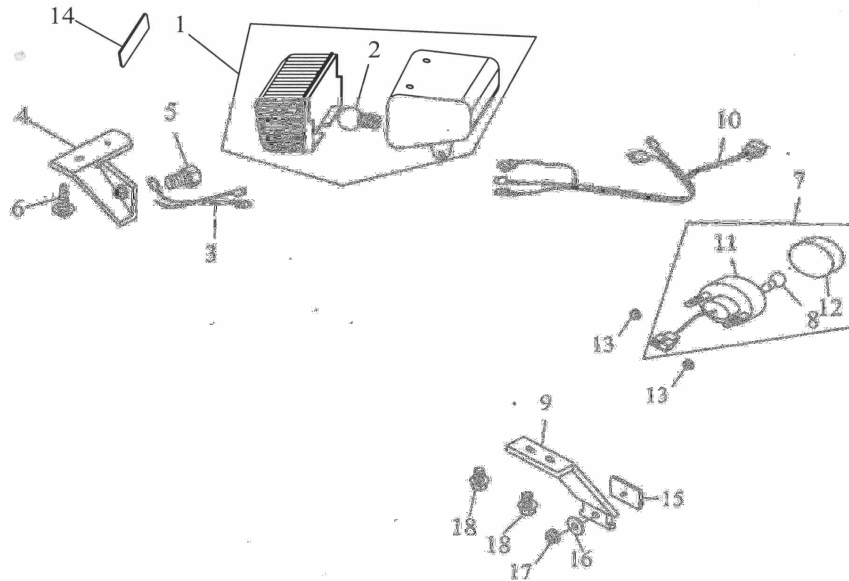
Pos.	Teile Nr.	STK	Beschreibung	Anmerk.
1	50100-165-00D	1	FRAME COMP	
2	52100-207-000	1	SWING ARM SUB ASS'Y	
3	96000-10040-14	4	HEX WASHER FACE BOLT	10*40
4	90350-10000	2	NYLON NUT	10mm*1.25
5	52400-165-000	1	REAR CUSHION ASS'Y	
6	94050-10000	1	HEX FLANGE NUT	10mm
7	96400-102820	2	BUSH	10*28*22
8	50500-165-000	1	MAIN STAND COMP	
9	95014-71404	1	SPRING	
10	90108-116-000	2	HEX BOLT	8*25
11	95011-101-000	1	RUBBER DAMPER	
12	17505-145-000	4	SPONGE PAD	15*100*4
13	77200-165-000	1	SEAT ASS'Y	L-S-A16EM
14	51150-165-000	1	SEAT CLAMP	f 31.8mm
15	77212-165-000	1	SEAT POST	SP501,DE26.8mm
16	96000-06012-10G	2	HEX WASHER FACE BOLT	6*12
17	90669-101-000	1	CABLE TIE	4.8*200 m/m
18	90669-168-000	3	CABLE TIE	3*150 m/m
19	94050-06000	1	HEX FLANGE NUT	6mm
20	31602-165-000	1	PLATE	

Verkleidung 207A-06



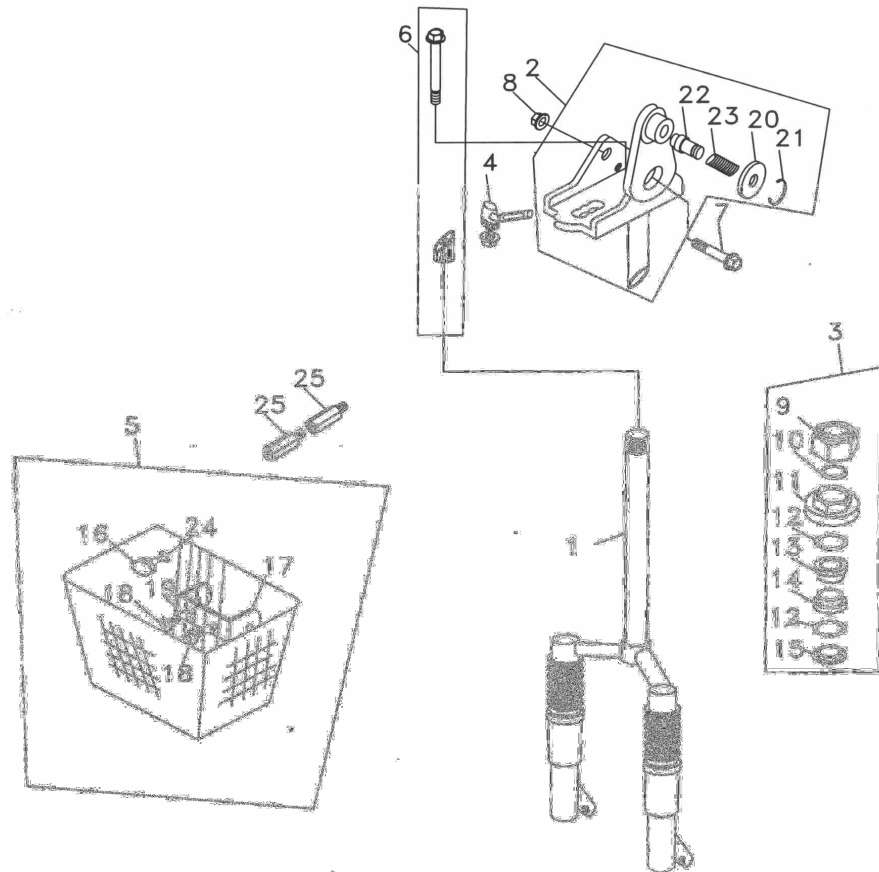
Pos.	Teile Nr.	STK	Beschreibung	Anmerk.
1	64301-207-000	1	COVER	
2	80115-165-000	1	REAR FENDER	
3	64310-207-000	1	FLOOR PANEL	
4	93800-06012S	1	PAN PHILLIPS BOLT	6*12
5	93800-06020S	1	PAN PHILIPS BOLT	6*20
6	64321-207-000	1	HEAD LIGHT COVER	
7	33741-125-000	2	REFLECTOR (E-MARK)	
8	96000-06012-10	2	HEX WASHER FACE BOLT	6*12
9	11352-145-000	4	CABLE CLAMP	
10	94050-06000	2	HEX FLANGE NUT	6mm
11	93903-03012	3	TAPPING SCREW	3*12
12	87700-165-000	1	COMPLETE SETS STICKER	
13	87700-888-00Z	1	ADLY STICKER	
14	87700-888-0BA	1	ADLY MOTO STICKER	2/.
15	90344-06000	1	U PLATE NUT	6mm
16	87740-165-00A	1	STICKER	
17	87741-165-00B	1	CHARGER INSTRUCTION	230V
18	50122-165-00B	1	OWNER'S MANUAL	
19	93701-06012G	4	PHILLIPS BOLT	6*12
20	87739-165-00A	1	STICKER	
21	93800-06024S	1	PAN PHILIPS BOLT	6*24
22	94102-0624120	1	RUBBER WASHER	6*24*12

Beleuchtung 207A-07



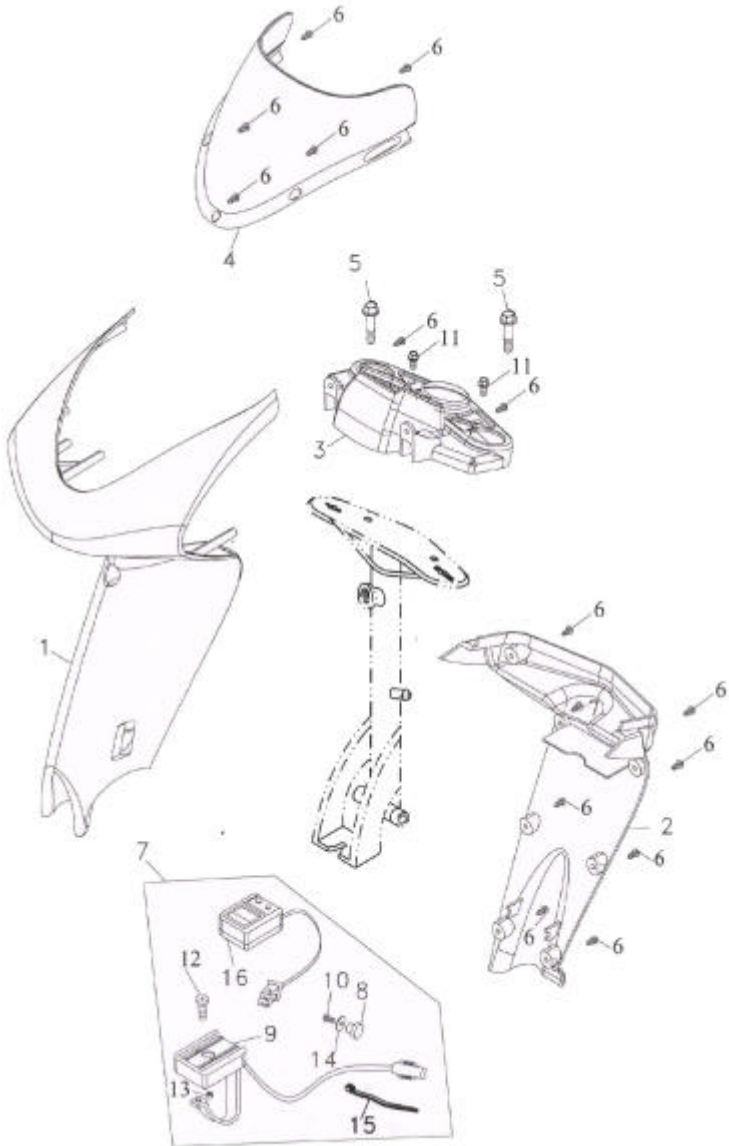
Pos.	Teile Nr.	STK	Beschreibung	Anmerk.
1	33100-165-00A	1	HEAD LIGHT ASS'Y	
2	34901-165-000	1	HEAD LIGHT BULB	24V8W
3	32106-165-000	1	HEAD LIGHT SUB WIRE	
4	33120-165-000	1	HEAD LIGHT BRACKET	
5	96000-06012-10	1	HEX WASHER FACE BOLT	6*12
6	93903-05012	2	TAPPING SCREW	5*12
7	33700-165-000	1	TAIL LIGHT ASS'Y	24V 21/5W
8	34906-165-000	1	TAIL LIGHT BULB	24V21/5W
9	80118-207-000	1	PLATE	
10	32100-165-001	1	MAIN WIRE HARDNESS	
11	33711-165-000	1	REAR LIGHT	
12	33702-165-000	1	TAIL LIGHT LENS (E-MARK)	
13	94001-04000	2	HEX NUT	4mm
14	33106-165-000	1	ANTI DAZZLING PAPER	
15	33741-133-000	1	REFLECTOR	JUTE9605..
16	94101-0618010	2	PLAIN WASHER	6*18*1
17	90350-06000	2	NYLON NUT	6mm
18	96000-06014-08	2	HEX WASHER FACE BOLT	6*14
19	96000-06015	2	HEX WASHER FACE BOLT	6*15
20	96000-06015-08	2		

Gabel& Korb 207A-08



Pos.	Teile Nr.	STK	Beschreibung	Anmerk.
1	51100-165-000	1	FRONT FORK ASS'Y	
2	51109-207-000	1	STEERING FIX BRACKET	
3	53211-165-000	1	BALL RACE ASS'Y	CH90-2BW
4	51151-165-000	1	QUICK RELEASE LEVER	
5	53610-207-000	1	BASKET	
6	51160-165-00A	1	STEERING LOCK BILT ASS'Y	
7	96000-10070	1	WASHER FACE BOLT	M10*70
8	94050-10000U	1	HEX FLANGE NUT	10mm
9	53220-165-000	1	THREAD ASS'Y	HP-126W
10	53217-165-000	1	LOCK WASHER	HP703
11	50301-165-000	1	COVER	HP-822
12	96211-165-000	2	STEEL BALL	5/32"
13	50304-165-000	1	UP BALL RACE	HP-301
14	50305-165-000	1	DOWN BALL RACE	HP-401W
15	53212-165-000	1	RACE BRACKET	HP503W
16	53612-165-000	1	BASKET FIX BOLT	
17	53611-207-000	1	BASKET BRACKET	
18	93800-06012	2	PAN PHILPS BOLT	6*12
19	94101-0716010	2	PLAIN WASHER	7*16*1
20	94101-0825030	1	PLAIN WASHER	8*25*3
21	94511-0600E	1	EXTERNAL CIR CLIP	ETW-6
22	51161-165-000	1	LOCK PIN	
23	51162-165-000	1	RESET SPRING	
24	94101-0615020	1	PLAIN WASHER	6*15*2
25	64307-101-000	2	BASKET SCREW	

Lenkerverkleidung 207A-09



Pos.	Teile Nr.	STK	Beschreibung	Anmerk.
1	64211-207-000	1	BAR COVER	
2	53205-207-000	1	REAR BAR COVER	
3	64302-207-000	1	HANDLE BAR COVER	
4	64212-207-000	1	TRIM.SPEEDOMETER LID	
5	96000-10040-14	2	HEX WASHER FACE BOLT	10*40
6	93903-04012	14	TAPPING SCREW	4*12
7	37200-207-00B	1	SPEEDOMETER	...
8	37217-165-000	1	MAGNET	..
9	37216-165-000	1	SPEEDOMETER HOLDER	..:166CM
10	93701-04006	2	PHILLIPS BOLT	4*6mm
11	96000-06012-10	2	HEX WASHER FACE BOLT	6*12
12	93500-03015	1	PAN PHILLIPS BOLT	3*15
13	94001-03000	1	HEX NUT	3mm
14	94101-0514010	1	PLAIN WASHER	5*14*1
15	90669-101-00A	1	CABLE TIE	4.8*250m/m
16	37220-165-000	1	SPEEDOMETER	24V ..

Baugruppe XX-XXX

Pos.	Teile Nr.	STK	Beschreibung	Anmerk.