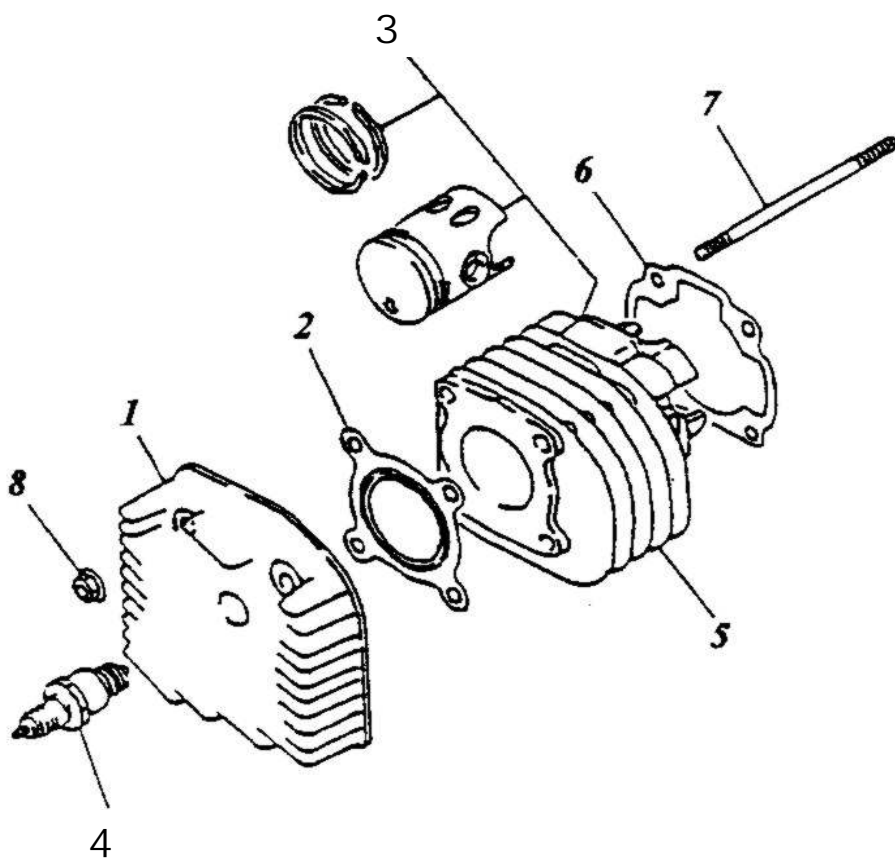


CYLINDER HEAD

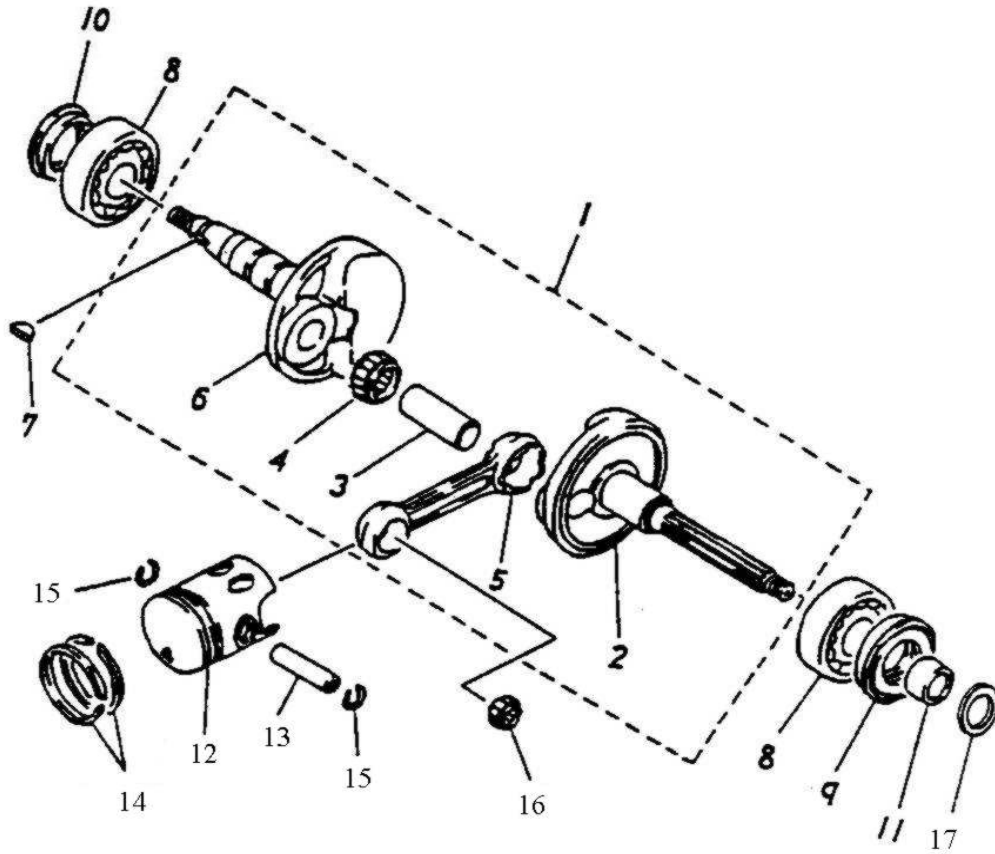


□□□□□116-01B

□□,□□□(EU2-45km) CYLINDER,CYLINDER HEAD

Item	No.	Parts No.	Unit	Qty	'ty	Parts Name		
1	12201-116-000			1		CYLINDER HEAD		□□□(□2)(JT50)
2	12251-116-000			1		CYLINDER HEAD GASKET		□□□□□
3	12301-116-000			1		CYLINDER COMP		□□□□
4	98076-101-00A			1		RESISTANCE SPARK PLUG	□□□	□□□(BPR7HS)
5	12101-116-000			1		CYLINDER	□□□	□□(□2 3YJ00)
6	12191-116-000			1		CYLINDER GASKET		□□□□
7	91001-07110			4		STUD BOLT	7*110	□□□□
8	94050-07000			4		HEX FLANGE NUT WITH SERRATION	7MM	□□□□□□

KSHAFT, PISTON

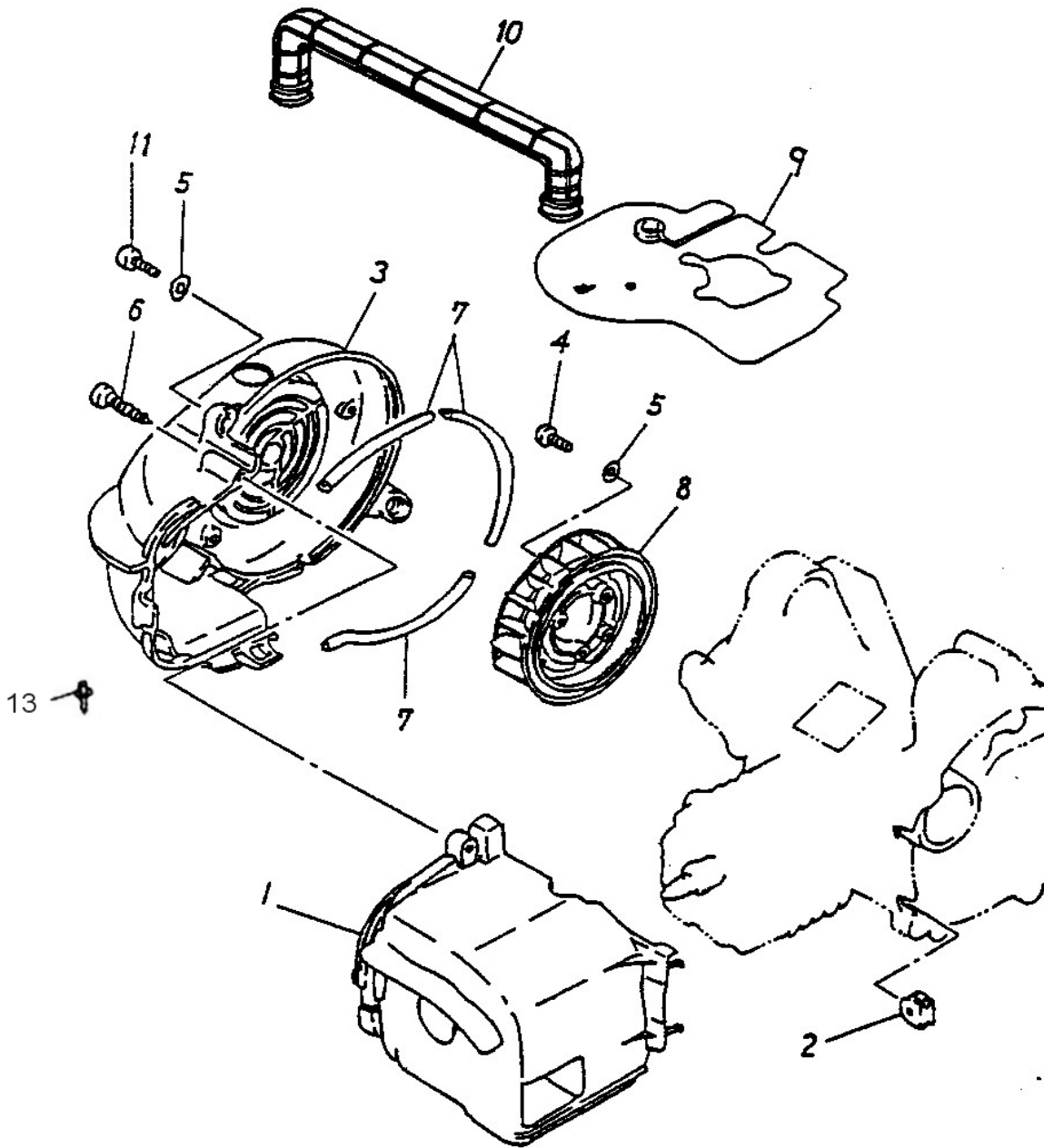


□□□□□116-02

□□,□□ CRANKSHAFT,PISTON

Item	No.	Parts No.	Unit	Q'ty	Parts Name		
□□	□□□□		□□		□□□□		
1	13012-116-000		1	1	INNER RING		□□□□□□
2	13000-116-000		1	1	CRANKSHAFT ASS'Y		□□□□
3	13321-116-000		1	1	LEFT CRANK		□□□
4	13381-104-000		1	1	CRANK PIN		□□□
5	96200-162212		1	1	NEEDLE BEARING	16*22*12	□□□□(□□)
6	13201-104-000		1	1	CRANK CONNECTING ROD		□□□□
7	13311-116-000		1	1	RIGHT CRANK		□□□
8	90471-104-000		1	1	SEMICYCLE KEY	3*13	□□□ 3*13
9	96100-62040		2	2	RADIAL BALL BEARING	6204C3	□□□□
10	96500-20428		1	1	OIL SEAL	20*42/43*8/9	□□--□□
11	96500-20306		1	1	OIL SEAL	20*30/33*6	□□ #6206
12	13316-116-000		1	1	LEFT CRANK COLLAR	15*20*12	□□□□□□(□1)
13	13100-116-000		1	1	PISTON	□□	□□
14	13111-104-000		1	1	PISTON PIN	7*10*33	□□□ 7*10*33(□3)
15	13011-116-000		1	1	PISTON RING SET	STD	□□□□
16	13115-104-000		2	2	PISTON PIN CLIP	1.0*12	□□□□□(□□)1.0*12
17	96200-101412		1	1	NEEDLE BEARING	10*14*12.5	□□□□(□□)
18	94101-1319005		1	1	PLAIN WASHER	13*19*0.5	□□□□

□□,□□□□ FAN,AIR SHROUD

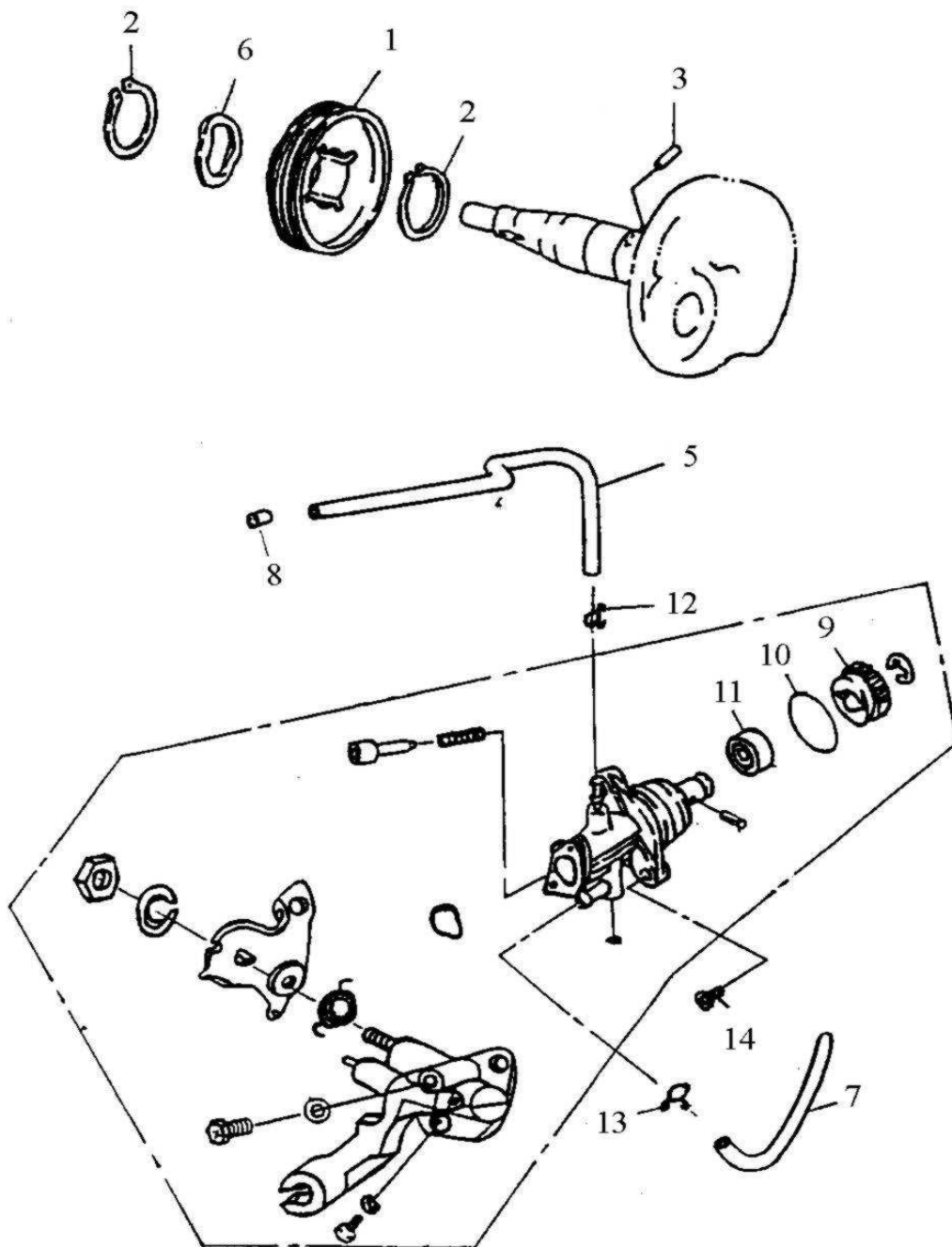


□□□□□116-03

□□,□□□□ FAN,AIR SHROUD

Item	No.	Parts No.	Unit	Qty	Part Name		
1	19620-116-000		1	1	CYLINDER AIR SHROUD		□□□□
2	83552-116-000		2	2	GROMMET		□□
3	19610-116-001		1	1	GENERATOR COVER (HOLE)	#NAME?	□□□(□□)
4	91000-06015		6	6	HEX SOCKET BOLT	6*15	□□□□□□
5	94101-0613010		6	6	PLAIN WASHER	6*13*1	□□□□
6	93903-05040		1	1	TAPPING SCREW TRUSS HEAD PHILLIPS	5*40	□□□□
7	17632-116-000		2	2	DAMPER		□□□
8	19510-116-000		1	1	FAN		□□
9	55122-116-000		1	1	DEFLECTOR		□□□
10	11211-116-000		1	1	TUBE BREATHER		□□□□
11	91000-06020		2	2	HEX SOCKET BOLT	6*20	□□□□□□

OIL PUMP

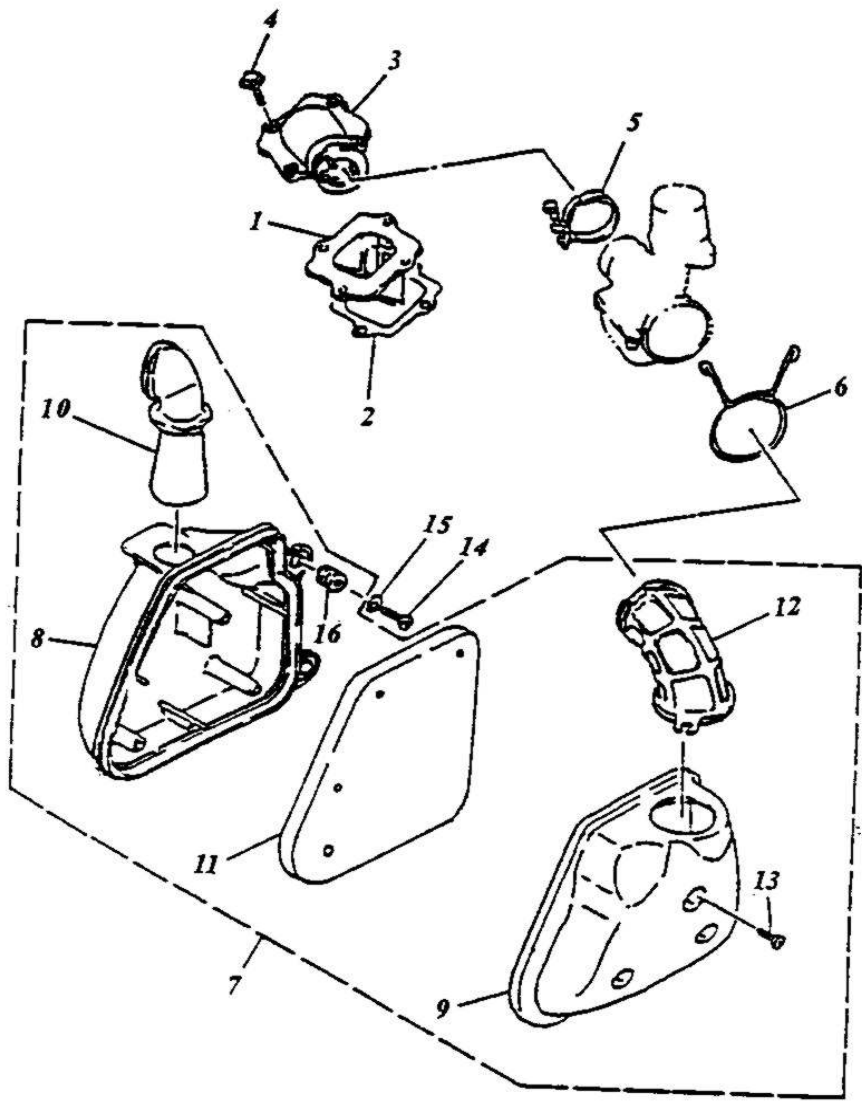


□□□ □□116-04

□□□□ OIL PUMP

Item	No.	Parts No.	Unit	Qty	Part Name		
1	15150-104-000		1		PUMP DRIVE GEAR		□□□□□□(□3)
2	94511-1900S		2		EXTERNAL CIR CLIP	STW-19	□□□ S-19
3	96300-030118		1		CRANK SHAFT PIN	3*11.8	□□(□1)
4	15100-116-000		1		OIL PUMP		□□□□
5	94400-0205250		1		OIL TUBE	2*5*250	□□
6	15151-104-000		1		WAVE WASHER	19.2*26*0.3	□□□□
7	94400-0408300		1		TUBE	4.8*8*300	□□□
8	15101-116-000		1		STEEL RING	4 mm	□□
9	15136-110-000		1		OIL PUMP WORMWHEEL	40T	□□□□ 40T
10	91319-110-000		1		OIL RING	19.3*1.6	□□□□□
11	96500-09164		1		OIL SEAL	9.5*16*4	□□□□□
12	94510-05000		2		CLIP	5*0.6	□□□
13	94510-08000		2		CLIP	8*0.8	□□□
14	93500-05015		2		PAN PHILLIPS BOLT	5*15	□□□□□□

REED VALVE, AIR CLEANER

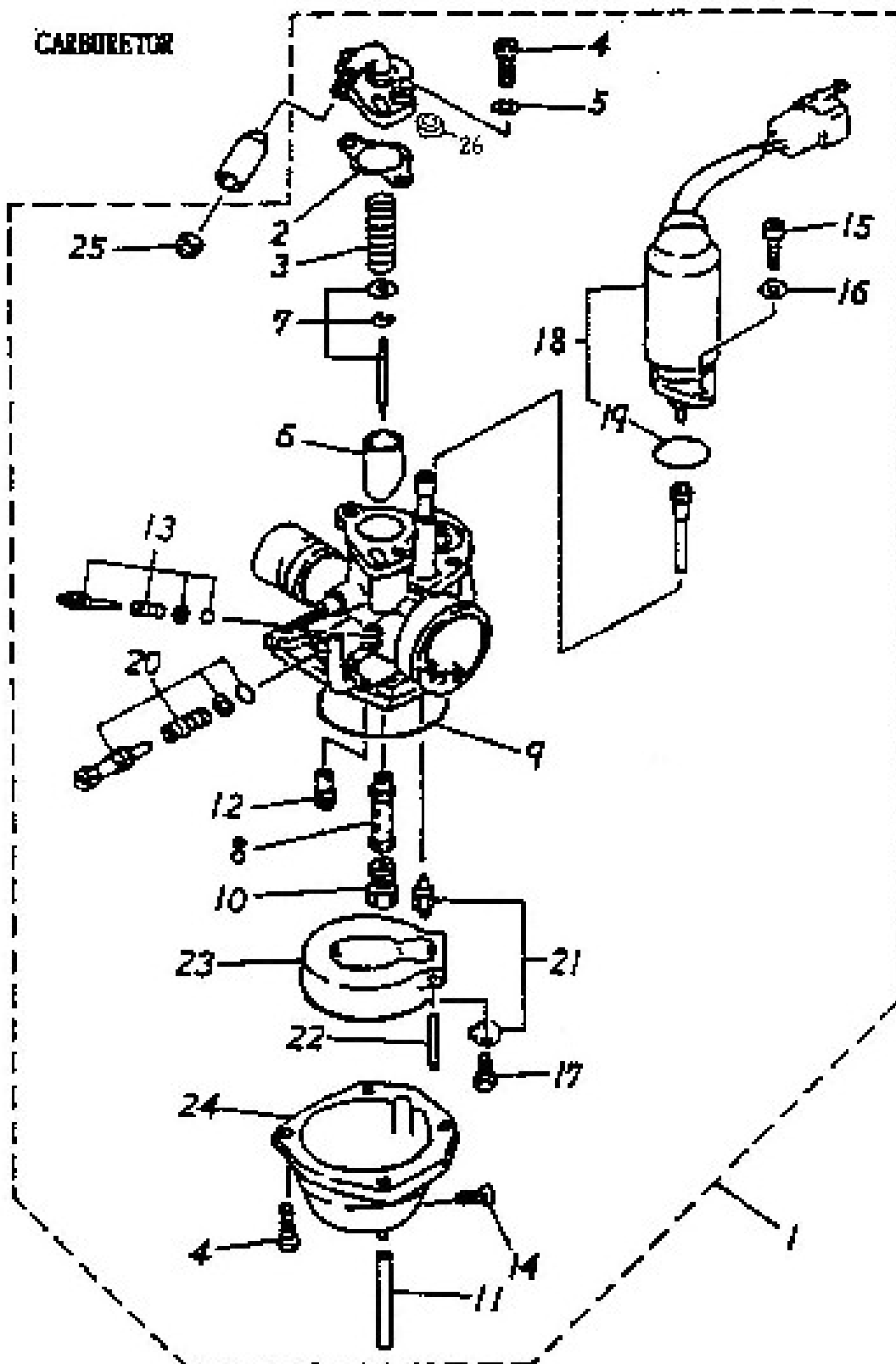


□□□□□116-05

□□□,□□□□□ REED VALVE,AIR CLEANER

Item	No.	Parts No.	Unit	Qty	Part Name		
1	14100-116-000		1	1	REED VALVE ASS'Y(REV.1)		□□□□□(□1)
2	17111-116-000		1	1	REED VALVE GASKET		□□□□□
3	17100-116-000		1	1	INTAKE MANIFOLD(3XG)		□□□□(3XG)
4	96000-06018-08		4	4	HEX WASHER FACE BOLT	6*18	□□□□□□
5	14110-104-000		1	1	INTAKE MANIFOLD HOSE CLAMP	1.25 8mm	□□□□□□□(□□)
6	94510-40000		1	1	CLIP	40*2.3	□□□(□1)
7	17200-116-001		1	1	AIR CLEANER ASS'Y	ECO	□□□□□□□(3XG)
8	17206-116-000		1	1	AIR CLEANER BASE		□□□□□□
9	17207-116-000		1	1	AIR CLEANER COVER		□□□□□□□
10	17219-116-000		1	1	GUIDE PIPE		□□□□□
11	17205-116-000		1	1	AIR CLEANER ELEMENT		□□□□□□□□
12	17253-116-001		1	1	AIR CLEANER JOINT	ECO	□□□□□□□□
13	93903-05025		3	3	TAPPING SCREW TRUSS HEAD PHILLIPS	5*25	□□□□
14	91000-06020		2	2	HEX SOCKET BOLT	6*20	□□□□□□
15	94101-0613010		2	2	PLAIN WASHER	6*13*1	□□□□
16	96485-116-000		2	2	GROMMET		□□

CARBURETOR

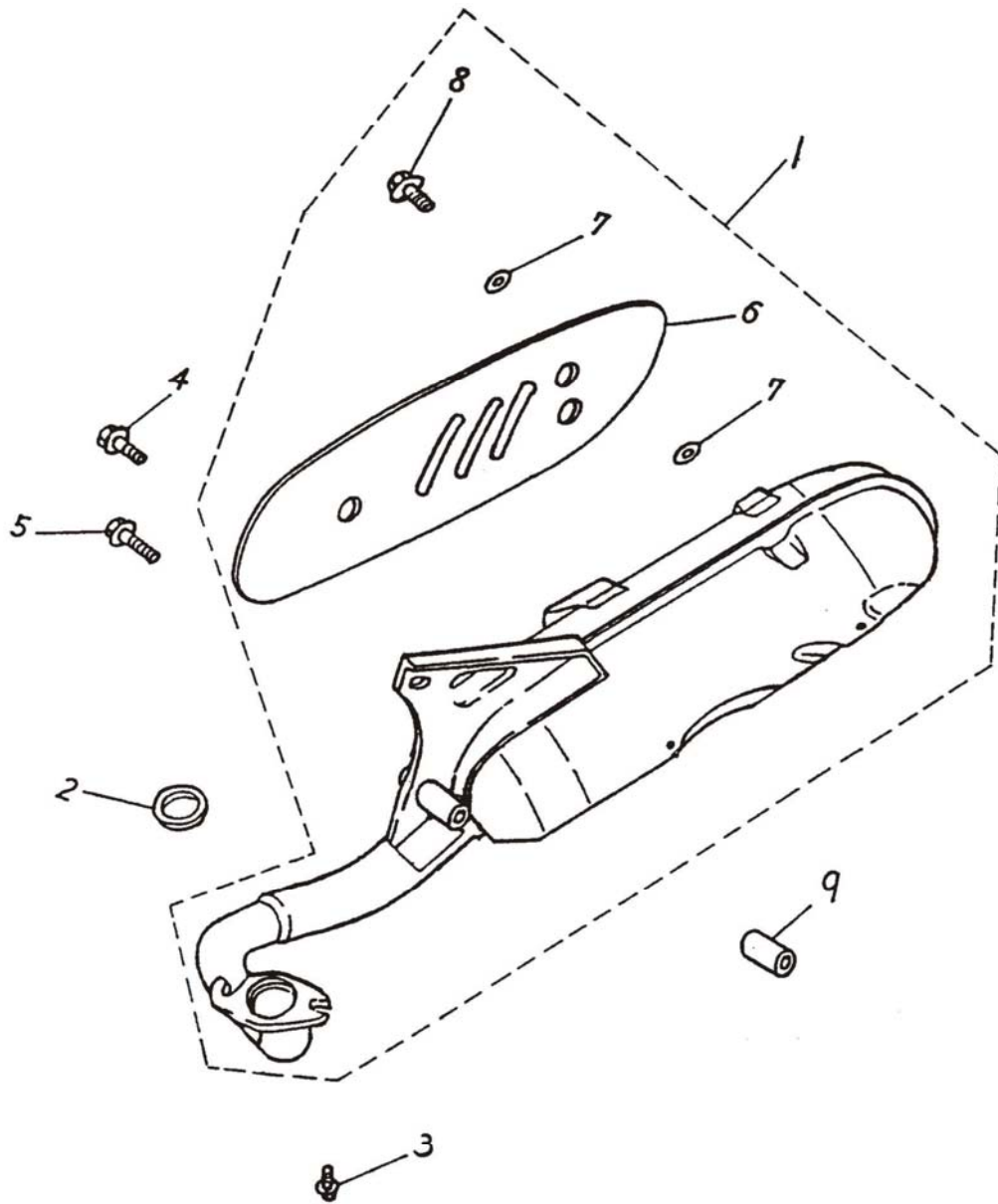


□□□□□116-06D

□□□(□□45km-EU2) CARBURETOR

Item	No. Parts No. Un	it Q	'ty	Parts Name		
1	16100-116-00A	1		CARBURETOR ASS'Y	□:75	□:17.5 □□□□□(JT50)
2	16101-116-000	1		CARBURETOR GASKET		□□□□□
3	16102-116-000	1		THROTTLE VALVE SPRING		□□□□□
4	93500-04014	6		PAN PHILLIPS BOLT	4*14	□□□□□□
5	94111-0407010	2		SPRING WASHER	4*7*1	□□□□
6	16103-116-000	1		THROTTLE VALVE		□□□
7	16104-116-000	1		NEEDLE SET		□□□
8	16105-116-000	1		NEEDLE NOZZLE	E-1	□□□
9	16106-116-000	1		FLOAT CHAMBER SEAL		□□□□□
10	16108-116-000	1		MAIN NOZZLE	#75	□□□(#70)
11	16109-116-000	1		OVER FLOW TUBE	4*7	□□□
12	16110-116-000	1		PILOT JET	#17.5	□□□□
13	16115-116-000	1		AIR ADJUST SCREW SET		□□□□□□□(□1)
14	16111-116-000	1		DRAIN PLUG		□□□□
15	93500-04008	2		PAN PHILLIPS BOLT	4*8	□□□□□□
16	94111-0406510	2		SPRING WASHER	4*6.5*1	□□□□
17	93500-03008	1		PAN PHILLIPS BOLT	3*8	□□□□□□
18	17215-116-000	1		PLUNGER STARTER		□□□□
19	91314-116-000	1		OIL RING	14*1.5	□□
20	16114-116-000	1		THROTTLE SCREW SET		□□□□□
21	16117-116-00A	1		NEEDLE VALVE ASS'Y		□□□□
22	16119-116-000	1		FLOAT PIN		□□□
23	16118-116-000	1		FLOAT		□□
24	16107-116-000	1		FLOAT CHAMBER		□□□
25	16113-116-000	1		CABLE ADJUST NUT		□□□□□□
26	16148-116-000	1		CARBURETOR REDUCER	11*14*10	□□□□□□□□

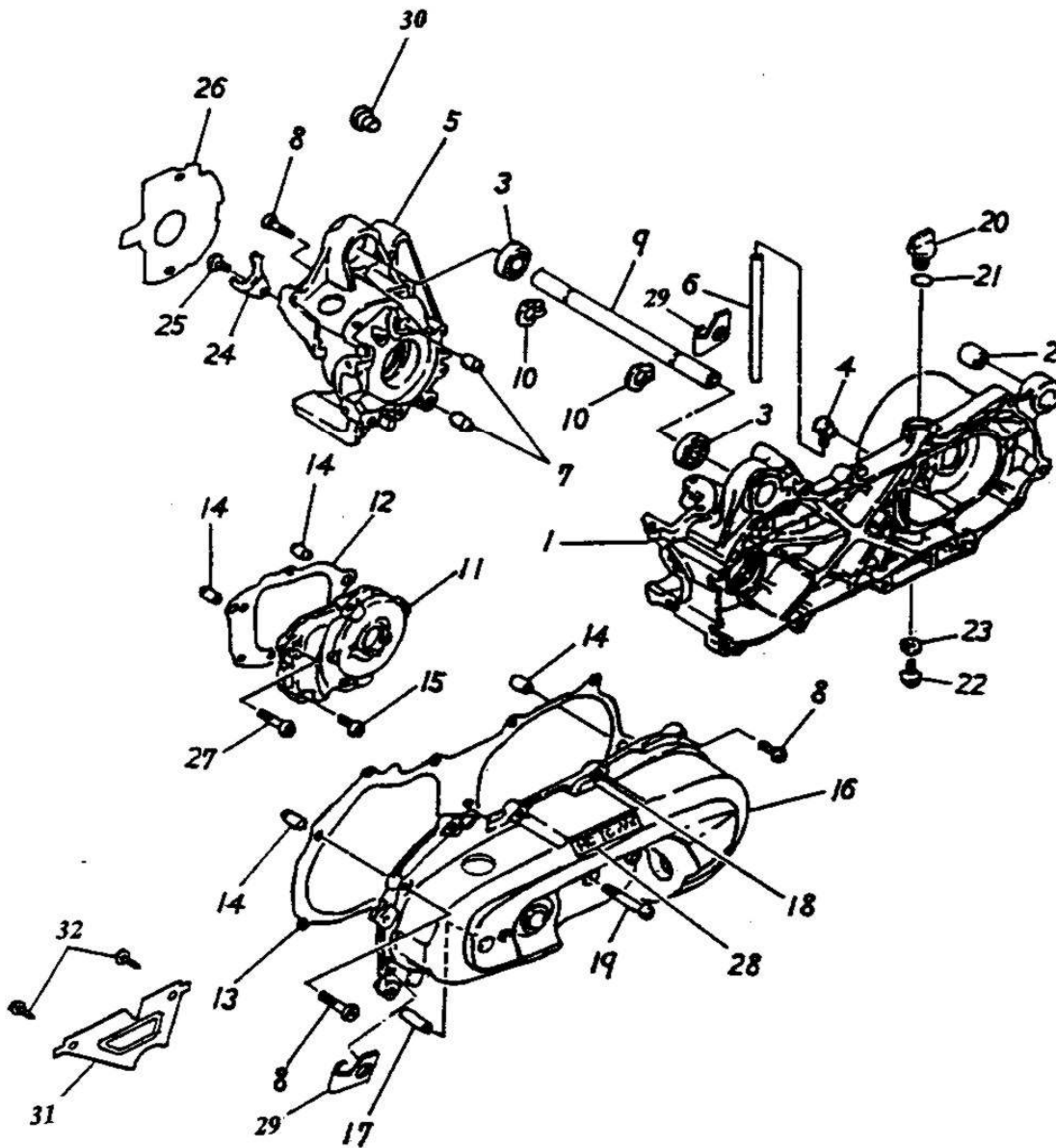
EXHAUST



□□□ □□116-07A □□□□(□□25km) EXHAUST

Item	No.	Parts No.	Unit	Qty	'ty	Parts Name		
1	18300-116-00N		1	1		EXHAUST PIPE ASS'Y	CATA*2	□□□□□(□□116 EU2 CATA3)
2	18291-104-000		1	1		EXHAUST PIPE GASKET		□□□□□(□)
3	92001-06018-10		2	2		HEX HEAD PHILLIPS BOLT	6*18	□□□□□□
4	96000-08048-12		1	1		HEX WASHER FACE BOLT	8*48	□□□□□□
5	96000-08065-12		1	1		HEX WASHER FACE BOLT	8*65	□□□□□□
6	18301-116-000		1	1		MUFFLER PROTECTOR		□□□□□
7	94101-0612015		6	6		PAPER PLAIN WASHER	6*12*1.5	□□□□
8	96000-06012-08		3	3		HEX WASHER FACE BOLT	6*12	□□□□□□
9	18302-116-000		1	1		COLLAR	10*15*23	□□□

CRANKCASE

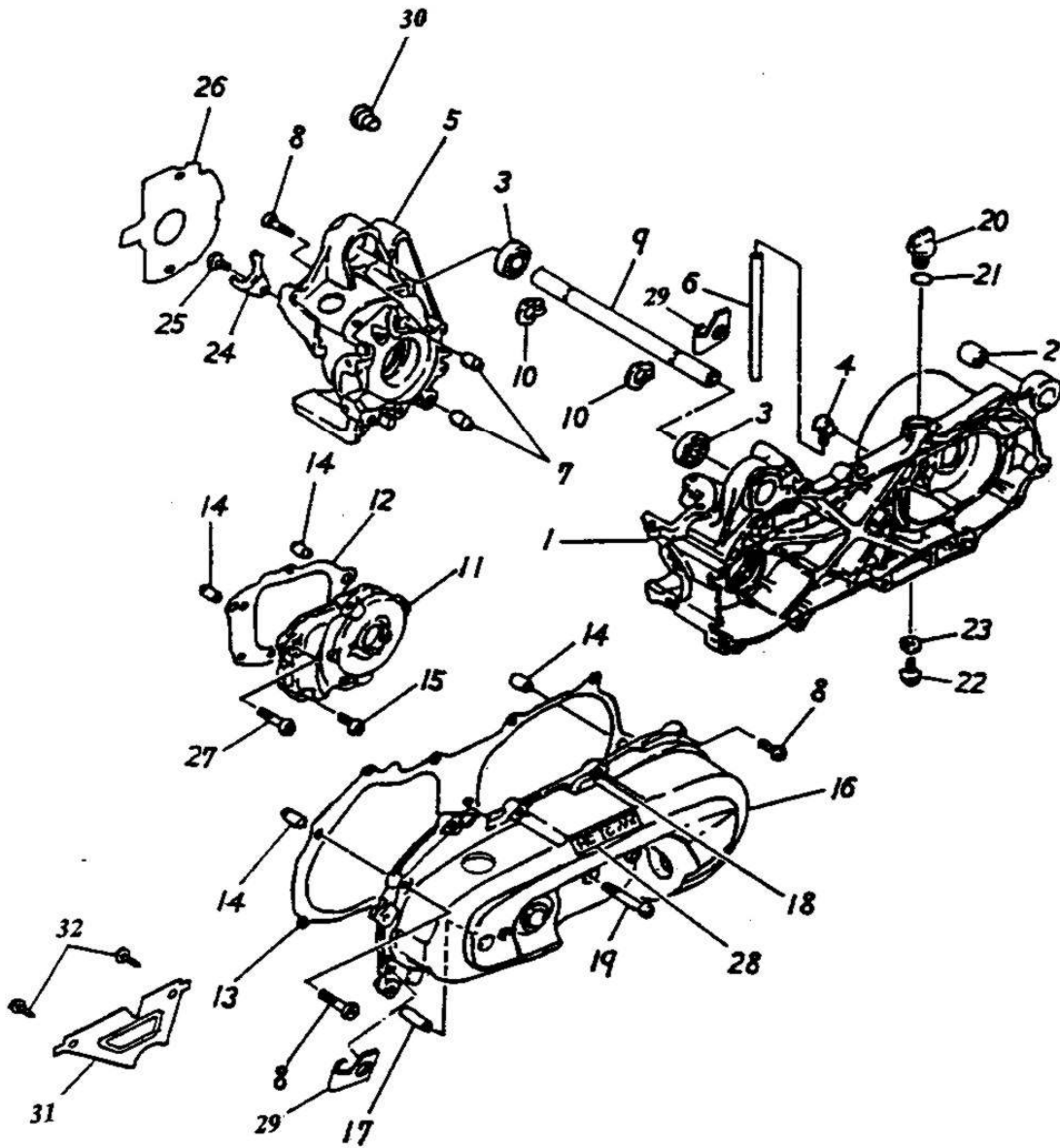


□□□□116-08

□□□ CRANKCASE

Item	No.	Parts No.	Unit	Qty	Part Name		
1	11201-116-000		1	1	LEFT CRANKCASE(REV.5)		□□□□(JT)(□5)
2	96400-082020		1	1	RUBBER BUSHING	8*20*20	□□□□(□□)
3	96100-6003U		2	2	RADIAL BALL BEARING	6003LLU	□□□□
4	16610-104-000		1	1	BREATHER HOSE HEAD		□□□□□
5	11101-116-000		1	1	RIGHT CRANKCASE(REV.4)		□□□□(□4)
6	16615-104-000		1	1	BREATHER HOSE		□□□(L=130)
7	94301-12160		2	2	DOWEL PIN	8.5*12*16	□□□
8	91000-06035		8	8	HEX SOCKET BOLT	6*35	□□□□□□
9	11150-116-000		1	1	CRANKCASE FIX SHAFT	12.5*17*227	□□□□□□
10	94511-1700S		2	2	EXTERNAL CIRCLIP	STW-17	□□□ S-17
11	21301-116-000		1	1	MISSION COVER	□□	□□□□(□1)
12	21395-116-000		1	1	MISSION COVER GASKET		□□□□□□(□1)
13	11359-116-000		1	1	CRANKCASE COVER GASKET		□□□□□
14	94301-10140		4	4	DOWEL PIN	8*10*14	□□□*
15	91000-06020		3	3	HEX SOCKET BOLT	6*20	□□□□□□
16	11341-116-000		1	1	LEFT CRANKCASE COVER (HOLE)		□□□(□□)(□2)
17	96300-080320		1	1	SHAFT IDLER	8*32	□□(□□□□)(□1)
18	91000-06025		9	9	HEX SOCKET BOLT	6*25	□□□□□□
19	91000-06060		1	1	HEX SOCKET BOLT	6*60	□□□□□□
20	15650-201-000		1	1	OIL PLUG	□7MM	□□□
21	91312-104-000		1	1	OIL RING	11.8*2.6	□□
22	96000-08015-12		1	1	HEX WASHER FACE BOLT	8*15	□□□□□□
23	94101-0813010		1	1	COPPER PLAIN WASHER	8*13*1	□□□□□(□□□□□□)
24	11111-104-000		1	1	OIL SEAL BRACKET		□□□□□□□
25	91000-06010		1	1	HEX SOCKET BOLT	6*10	□□□□□□
26	11121-116-000		1	1	GENERATOR GASKET		□□□□□
27	91000-06030		2	2	HEX SOCKET BOLT	6*30	□□□□□□
28	87733-116-000		1	1	"HER CHEE" STICKER	□□HER CHEE	□□(□□□□)
29	11351-104-000		2	2	CARBURETOR TUBE BRACKET		□□□□□□□□
30	11102-116-000		1	1	PROTECT SHROUD		□□□(□1)

CRANKCASE

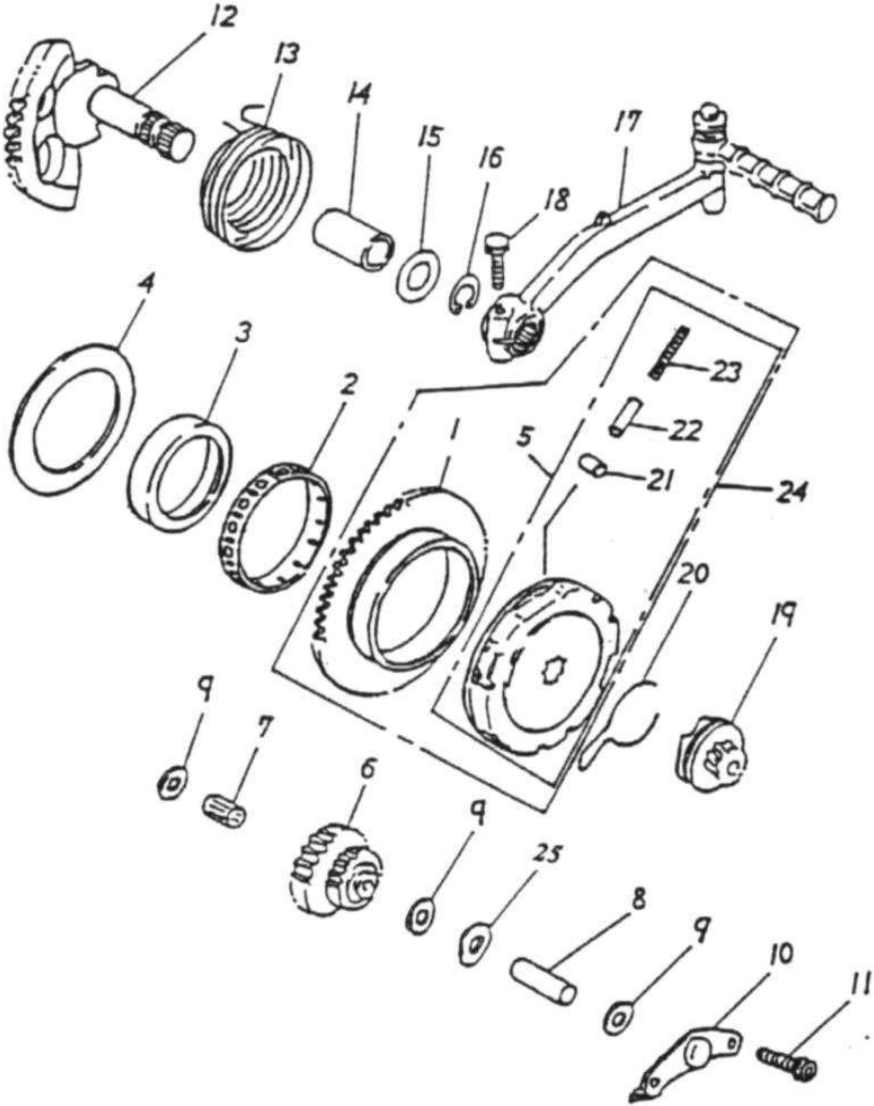


□□□□□116-08

□□□ CRANKCASE

Item	No.	Parts No.	Unit	Qty	'ty	Parts Name	
□□	□□□□	□□	□□□	□			
31	11342-116-000	1			PLATE L COVER		□□□□
32	93903-04008	2			TAPPING SCREW TRUSS HEAD PHILLIPS	4*8	□□□□
33	11351-120-00A	1			CLAMP		□□□
34	11100-116-000	1			LEFT/RIGHT CRANKCASE		□□□□□□□

STARTER

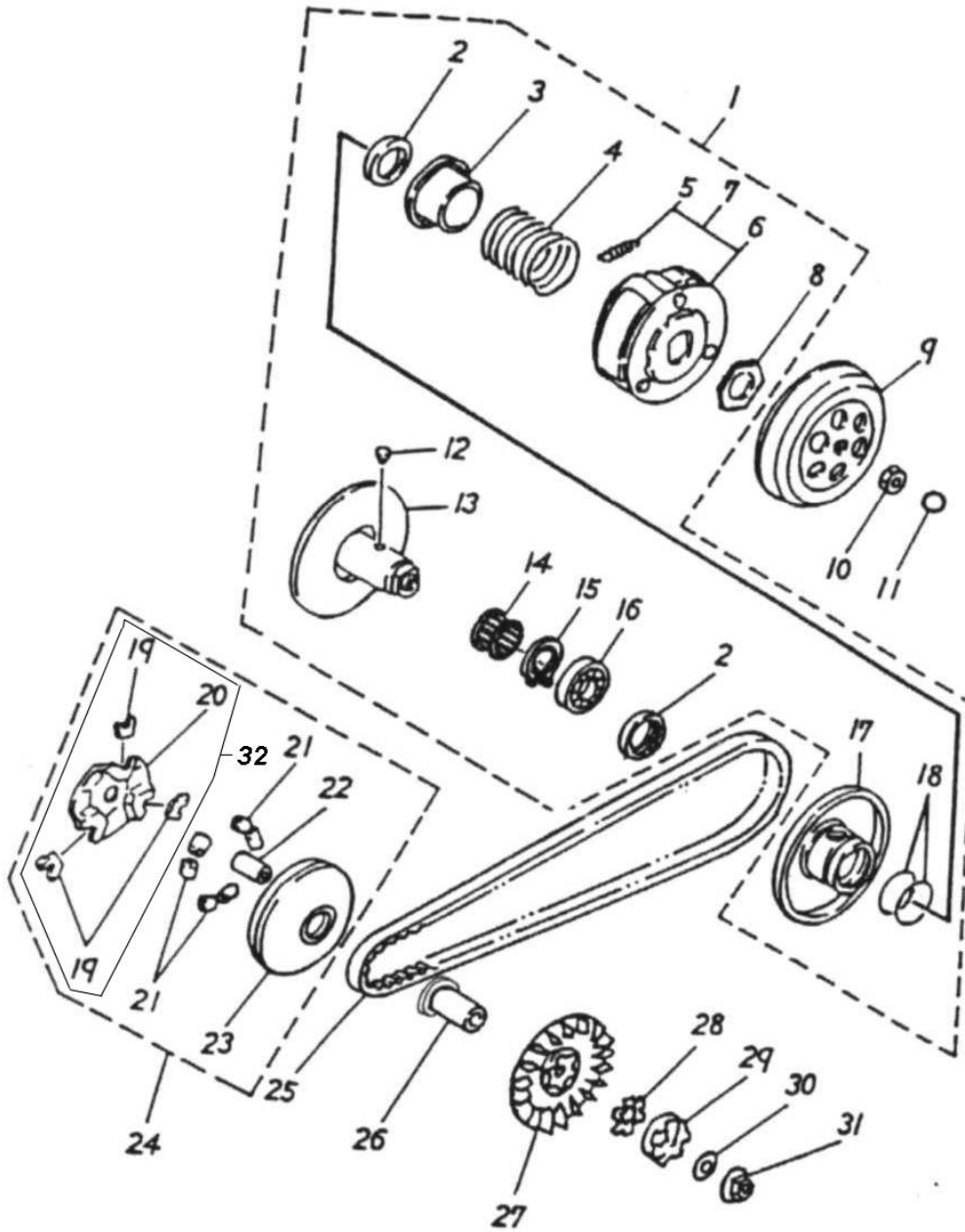


□□□ □□116-09

□□□□ STARTER

Item	No.	Parts No.	Unit	Qty	'ty	Parts Name	
1	28220-116-000		1	1		STARTER WHEEL	□□□□□□□□
2	96200-555912		1	1		NEEDLE BEARING	55*59*12.5 □□□□
3	96202-116-000		1	1		BOSS	□□□(□1)
4	94101-5676006		1	1		PLAIN WASHER	56*76*0.6 □□□□(SK5)
5	28410-116-001		1	1		ELECTRIC STARTER CLUTCH SET	□□□□□□□□
6	23422-116-000		1	1		IDLER GEAR	□□□□□
7	96200-081210		1	1		NEEDLE BEARING	8*12*10 □□□□ HK0810
8	96300-080320		1	1		SHAFT IDLER	8*32 □□(□□□□)(□1)
9	94101-0818008		3	3		PLAIN WASHER	8.2*18*0.8 □□□□(□□□□)(SK5)
10	11206-116-000		1	1		IDLER GEAR PLATE	□□□□
11	91000-06010		2	2		HEX SOCKET BOLT	6*10 □□□□□□
12	28250-116-0A0		1	1		STARTING SHAFT ASS'Y	□□□□□(□2)
13	28281-110-000		1	1		STARTING SHAFT RESET SPRING	□□□□□□□
14	96401-152030		1	1		BUSHING	15*20*30 □□(□□□)(□3)
15	94101-1528010		1	1		PLAIN WASHER	15.2*28*1 □□□□(□□□)
16	94511-1500S		1	1		EXTERNAL CIR CLIP	STW-15 □□□ S-15
17	28300-104-0A0		1	1		KICK CRANK ASS'Y	□□□□□
18	96000-06025-10		1	1		HEX WASHER FACE BOLT	6*25 □□□□□□
19	28230-104-000		1	1		KICK PINION ASS'Y	□□□□□□□(□1)
20	28223-104-000		1	1		KICK PINION SPRING CLIP	□□□□□□□□
21	28411-116-001		3	3		CLUTCH ROLLER	6*8 □□□□□
22	28412-116-000		3	3		CLUTCH GUIDER	□□□□□
23	28413-116-001		3	3		CLUTCH SPRING	□□□□□
24	28400-116-001		1	1		ELECTRIC STARTER CLUTCH ASS'Y	□□□□□□□□□
25	92022-851618		1	1		WAVE WASHER	8.5*16*1.8 □□□□

CLUTCH

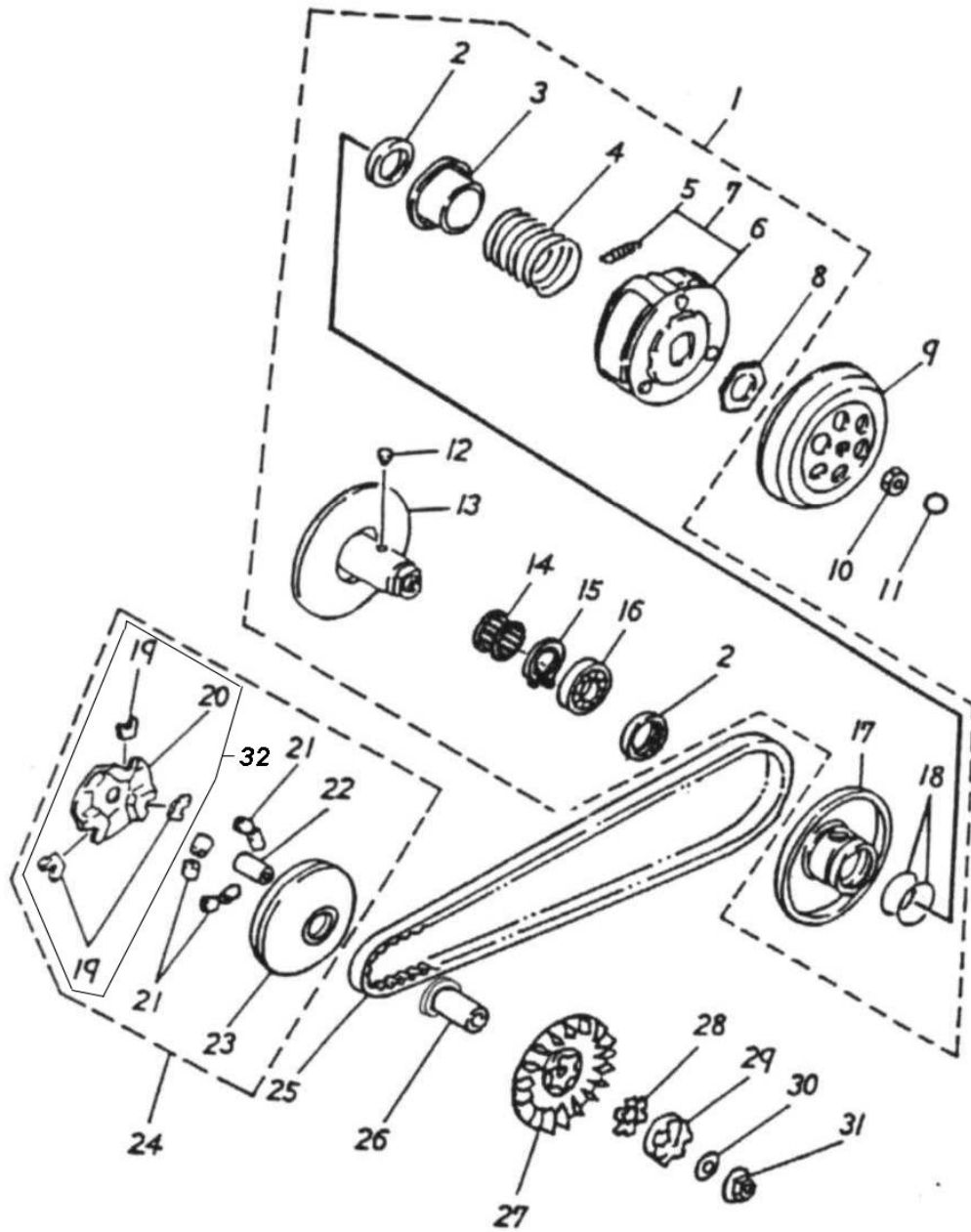


□□□ □□116-10B

□□□(□□45km) CLUTCH

Item	No.	Parts No.	Unit	Qty	Part Name		
1	22000-116-00A		1	1	DRIVE FACE ASS'Y		□□□□□□□(L=75)
2	96500-33394		2	2	OIL SEAL	33*39*4	□□
3	23237-116-000		1	1	SECONDARY SPRING SEAT		□□□□
4	23233-116-00A		1	1	CLUTCH REDUCER SPRING	L75	□□□□□□□(L=75)
5	22401-116-000		3	3	CLUTCH WEIGHT SPRING		□□□□□□□
6	22350-116-000		1	1	CLUTCH CARRIER		□□□□□□
7	22535-116-000		1	1	CLUTCH WEIGHT SET		□□□□□
8	90202-116-000		1	1	NUT	28*38*4	□□□□
9	22100-116-000		1	1	CLUTCH COVER COMP		□□□□□
10	94001-10000		1	1	HEX NUT	10MM	□□□□(□1)
11	91313-104-000		1	1	OIL RING	12.5*3	□□ 12.5*3
12	23225-116-000		2	2	GUIDE PIN		□□
13	23200-116-000		1	1	SECONDARY FIX SLOT WHEEL		□□□□□□□
14	96200-172518		1	1	NEEDLE BEARING	HKS-17*25*18	□□□□
15	94512-240IR		1	1	INTERNAL CIR CLIP	IRTW-24	□□□
16	96100-6901U		1	1	RADIAL BALL BEARING	6901LU	□□□□
17	23220-116-000		1	1	SECONDARY SLIDING SLOT WHEEL		□□□□□□□
18	91336-104-000		2	2	OIL RING	36*2	□□ 36*2
19	22132-104-000		3	3	CAM PLATE SLIDER		□□□□□
20	22131-116-000		1	1	CAM PLATE		□□□(22131)
21	22121-116-000		6	6	WEIGHT ROLLER (5.5g)	6.5g	□□□□(5.5g)
22	96401-182322		1	1	BUSHING	18*23*22.5	□□□(□□□□)(□1)
23	22110-116-000		1	1	PRIMARY SLIDING SLOT WHEEL		□□□□□
24	22103-116-000		1	1	SLIDING DRIVE FACE ASS'Y	5.5g	□□□□□□□
25	23100-116-000		1	1	V-BELT		□□ 862*16.5*28
26	96401-131838C		1	1	BUSHING	13*18*38*9.5	□□(□□□A)
27	22102-116-000		1	1	PRIMARY FIX SHEAVE		□□□□□
28	22150-110-000		1	1	LCAW WASHER		□□□
29	22140-110-000		1	1	ONEWAY CLUTCH		□□□□□(□2)
30	22145-104-000		1	1	CONE SPRING WASHER	10.2*24*2.6	□□□□□

CLUTCH

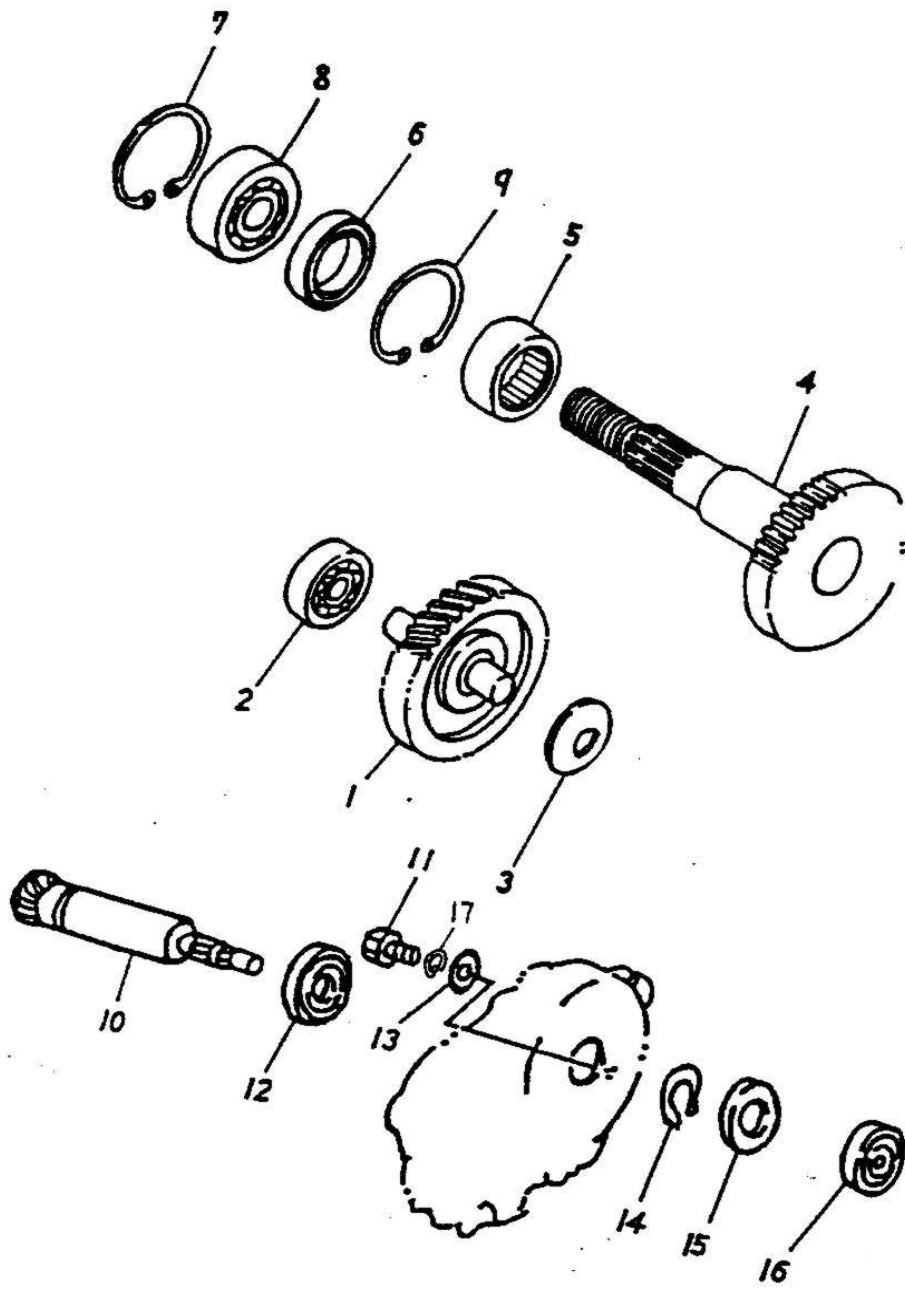


□□□ □□116-10B

□□□(□□45km) CLUTCH

Item	No.	Parts No.	Unit	Qty	'ty	Parts Name		
□□	□□□□	□□	□□□□				□	
31	94050-10000			1		HEX FLANGE NUT WITH SERRATION	10mm	□□□□□□
32	22133-116-000			1		CAM PLATE ASS'Y		□□□□□

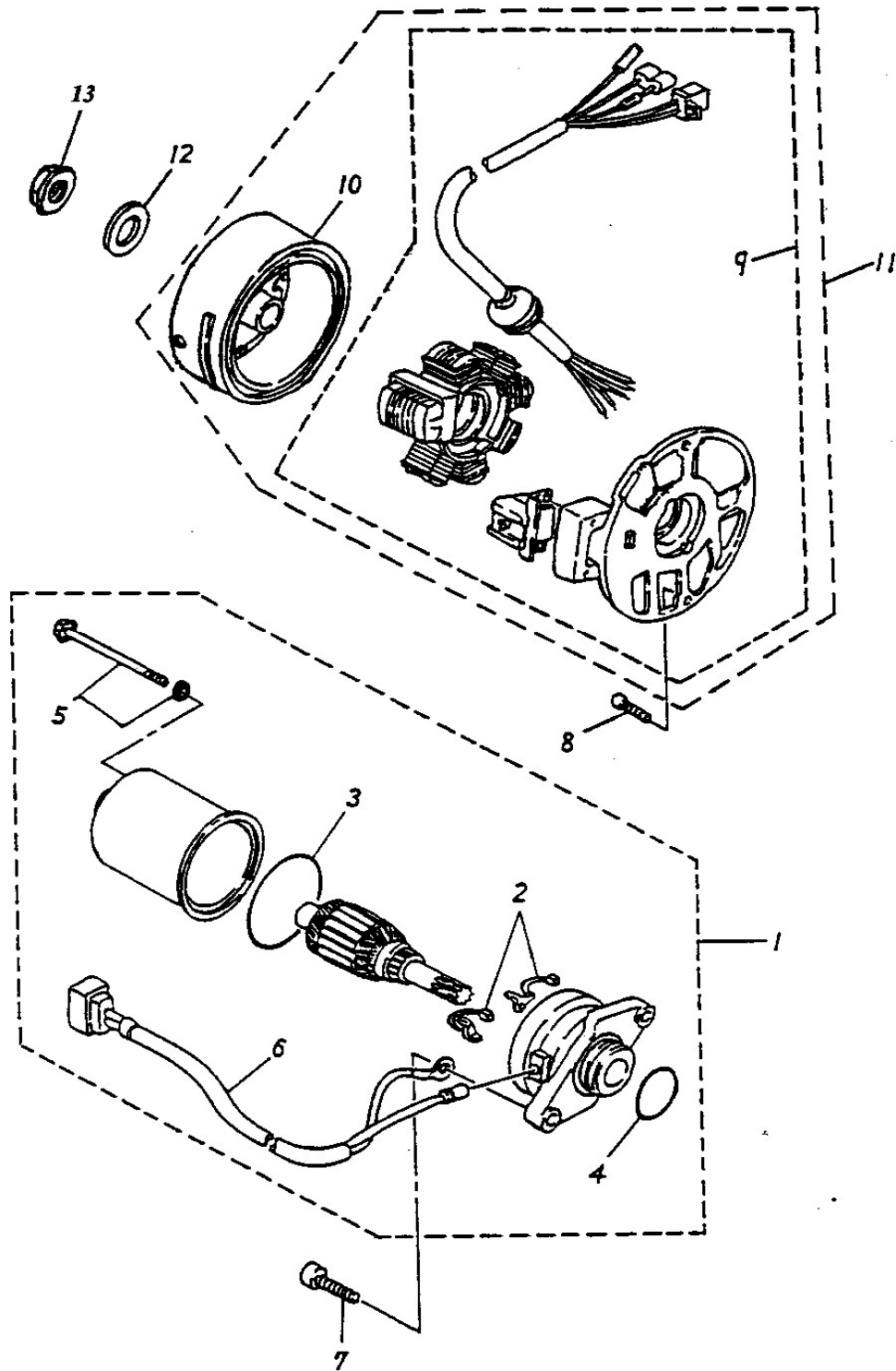
TRANSMISSION



□□□ □□116-11B □□□□(45km) TRANSMISSION

Item	No.	Parts No.	Unit	Qty	Part Name		
1	23420-116-0C0		1	1	MAIN AXLE COMP	48T/12T	□□□□□
2	96100-62010		1	1	RADIAL BALL BEARING	6201	□□□□
3	94101-1229016		1	1	PLAIN WASHER	12.2*29*1.6	□□□□
4	23430-116-0C0		1	1	DRIVE AXLE	36T	□□□□
5	96200-253315		1	1	NEEDLE BEARING	HMK2515	□□□□
6	96500-25356		1	1	OIL SEAL	25*35*6	□□
7	94512-4300R		2	2	INTERNAL CIR CLIP	RTW-43	□□□
8	96100-6004U		1	1	RADIAL BALL BEARING	6004 LU	□□□□
9	94512-3400R		1	1	INTERNAL CIR CLIP	RTW-34	□□□
10	23411-116-0C0		1	1	PRIMARY DRIVE GEAR	13T	□□□□□□
11	92000-06010-10		1	1	HEX BOLT	6*10	□□□□
12	96100-60030		1	1	RADIAL BALL BEARING	6003	□□□□
13	94101-0620005		1	1	PLAIN WASHER	6*20*0.5	□□□□
14	94511-1700S		1	1	EXTERNAL CIRCLIP	STW-17	□□□ S-17
15	96500-17285		1	1	OIL SEAL	17*28*5.5	□□ #6202 (□□□)
16	96100-638RD		1	1	RADIAL BALL BEARING	638RD	□□□□
17	94111-0612015		1	1	SPRING WASHER	6*12*1.5	□□□□

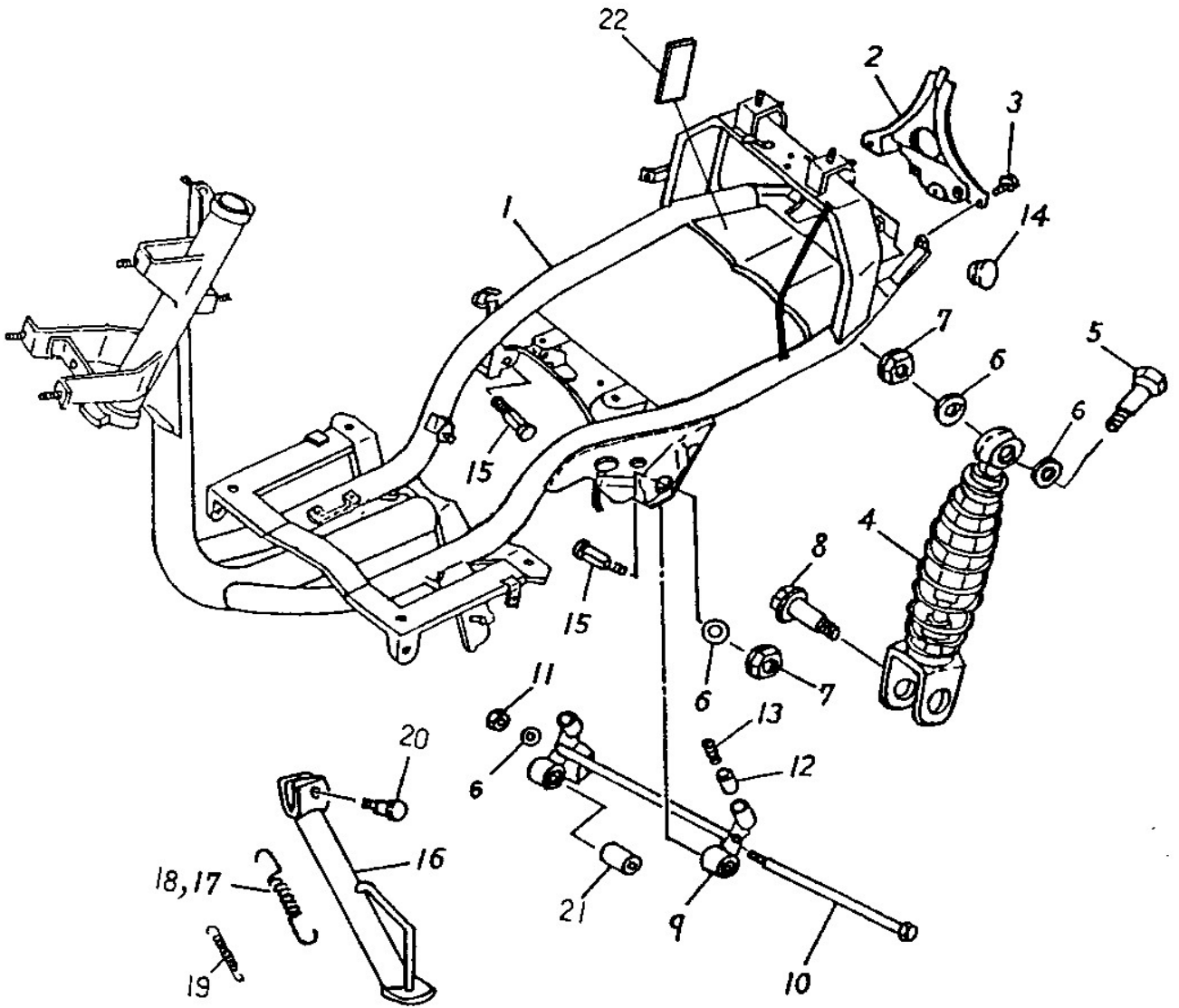
GENERATOR, STARTING MOTOR



□□□ □□116-12

□□□,□□□□ GENERATOR,STARTING MOTOR

Item	No. Parts No. Un	it Q	'ty	Parts Name		
□□	□ □ □ □	□□	□ □ □			□
1	31200-116-000	1		STARTING MOTOR ASS'Y		□□□□□□
2	31201-116-000	1		BRUSH SET		□□□
3	91342-104-000	1		OIL RING	42*1.5	□□
4	91323-104-000	1		OIL RING	23*2	□□ 23*2
5	90115-104-000	2		BOLT SET	□□	□□□
6	31202-116-000	1		CORD COMP.		□□□□
7	91000-06020	2		HEX SOCKET BOLT	6*20	□□□□□□
8	91000-06015	2		HEX SOCKET BOLT	6*15	□□□□□□
9	31120-116-000	1		STATOR COMP.		□□□□
10	31110-116-000	1		GENERATOR FLYWHEEL		□□□□□
11	31100-116-000	1		GENERATOR ASS'Y		□□□□□(JT)
12	94101-1022020	1		PLAIN WASHER	10*22*2	□□□□
13	94050-10000	1		HEX FLANGE NUT WITH SERRATION	10mm	□□□□□□

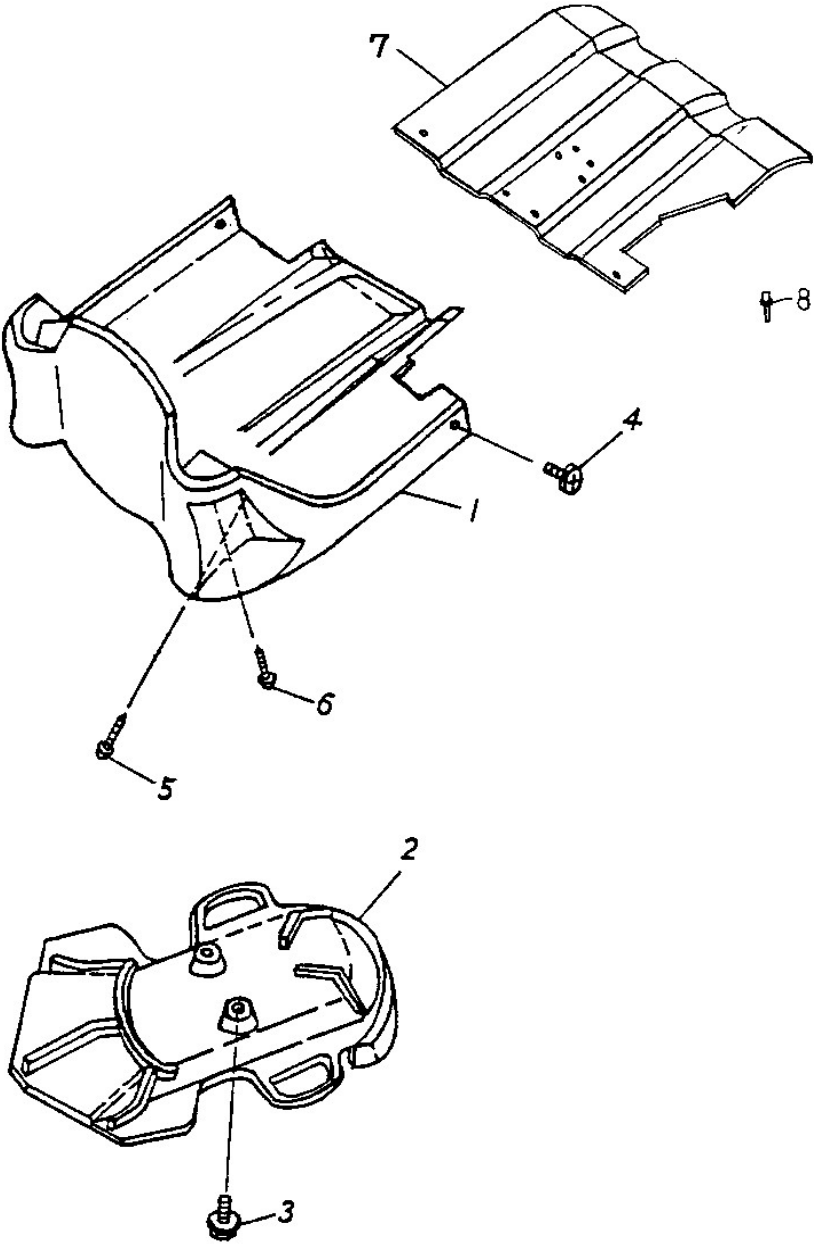


□□□ □□141-13A

□□(92/61) FRAME BODY

Item	No.	Parts No.	Unit	Qty	Part Name		
1	50100-116-00D		1	1	FRAME COMP		□□□□(□□□□)-EU2
2	50357-116-000		1	1	TAIL LIGHT FIX BRACKET		□□□□□(□1)
3	92000-06018-10		3	3	HEX BOLT	6*18	□□□□□□□(□1)
4	52400-116-001		1	1	REAR CUSHION ASS'Y		□□□□□□(□1)
5	92000-10040-17		1	1	HEX BOLT	10*40	□□□□
6	94101-1022015		4	4	PLAIN WASHER	10*22*1.5	□□□□
7	90350-10000		3	3	NYLON NUT	10mm*1.25	□□□□
8	96000-08032-12		1	1	HEX WASHER FACE BOLT	8*32	□□□□□□
9	50350-116-000		1	1	ENGINE BRACKET ASS'Y		□□□□(□1)
10	96000-12250-21		1	1	HEX WASHER FACE BOLT	12*250	□□□□□□
11	90350-12000		1	1	NYLON INSERT LOCK NUT	12mm	□□□□
12	50352-104-000		2	2	BRACKET SNUBBER RUBBER		□□□□□□
13	50351-104-000		2	2	BRACKET SNUBBER SPRING		□□□□□□
14	96421-116-000		2	2	RUBBER CAP		□□□(□1)
15	90103-116-000		2	2	ENGINE MOUNTING SQUARE BOLT	10*50	□□□□□□□□
16	50530-116-000		1	1	SIDE STAND		□□□(□1)
17	95014-116-000		1	1	SIDE STAND RESET SPRING		□□□□□□□(□1)
18	95014-71404		1	1	SIDE STAND RESET SPRING		□□□□□□□(□□□□□□□)
19	95014-71404-0A		1	1	SIDE STAND RESET SPRING(SMALL)		□□□□□□□□(□□□)
20	90108-116-000		1	1	HEX BOLT	8*25	□□□□(□2)
21	96400-103030		2	2	RUBBER BUSHING	10*30*30	□□□□
22	50110-101-001		1	1	I.D. PLATE	e number	□□

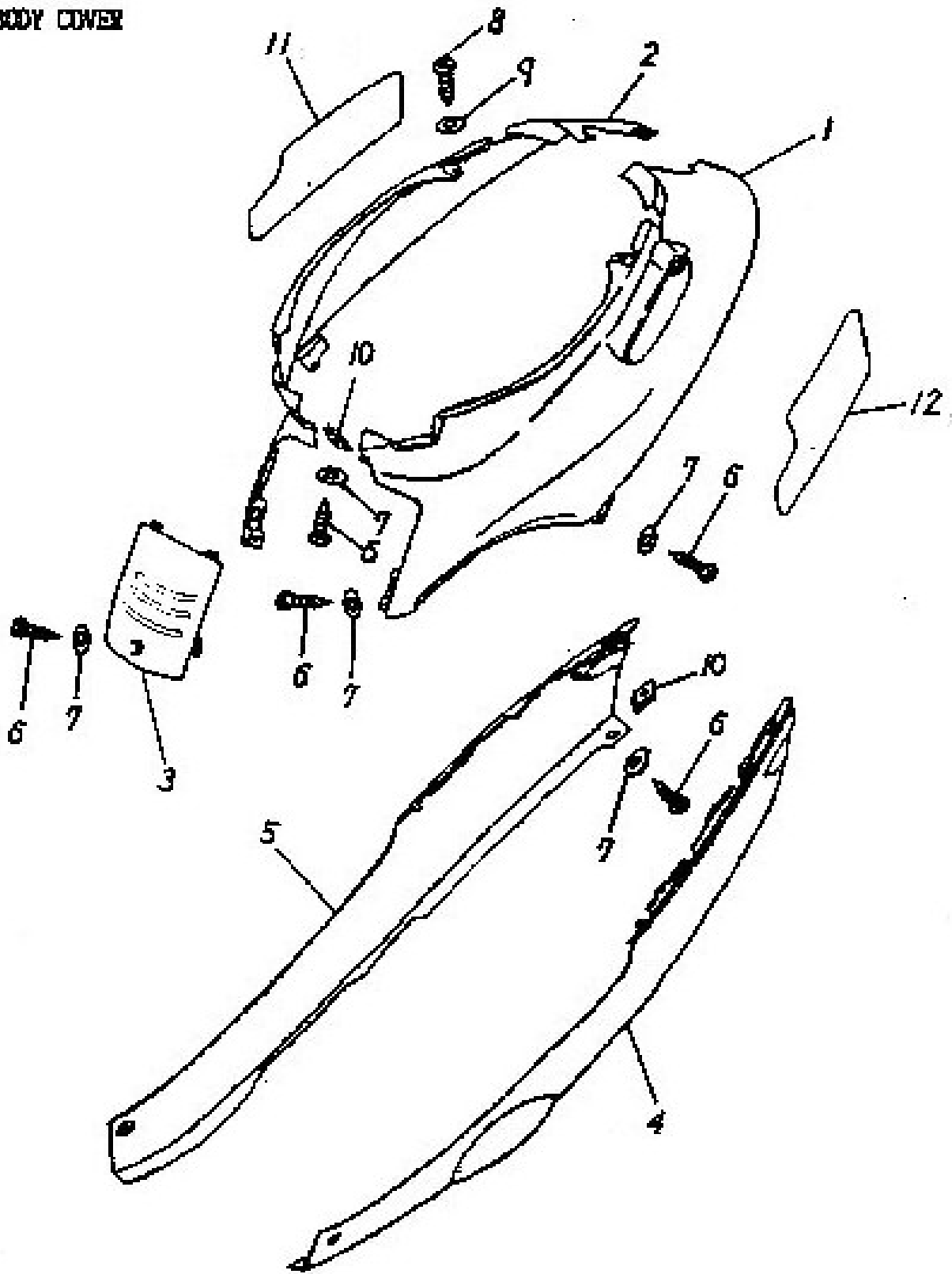
COV.LING, FRONT FENDER



□□□ □□116-14 □□□,□□□ COWLING,FRONT FENDER

Item	No.	Parts No.	Unit	Qty	'ty	Parts Name	
□□	□ □ □ □		□□	□ □ □			□
1	50150-116-000		1			COWLING(METAL GRAY)	□□□
2	61105-110-000		1			FRONT FENDER(INNER)	□□□□□
3	92000-06018-10		2			HEX BOLT	6*18 □□□□□□(□1)
4	93701-06018		2			PAN FLAT HEAD PHILLIPS BOLT	6*18 □□□□□□□□
5	93903-05012		2			TAPPING SCREW TRUSS HEAD PHILLIPS	5*12 □□□□
6	93903-05016		2			TAPPING SCREW TRUSS HEAD PHILLIPS	5*16 □□□□
7	50151-116-000		1			COWLING PROTECTOR	□□□□□
8	90662-105-000		8			RIVET	#4-3 □□

BODY COVER

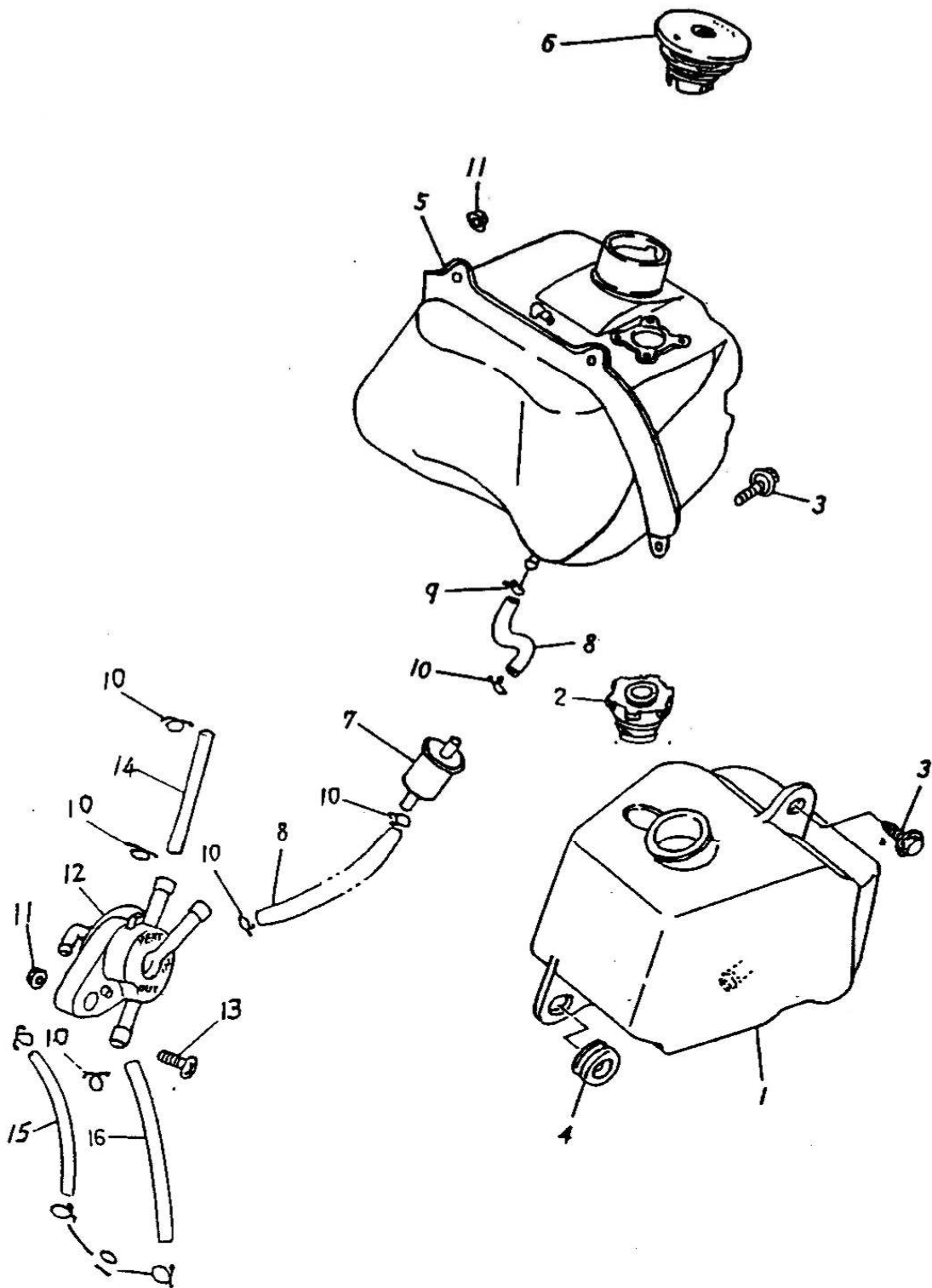


□□□ □□116-15

□□□ BODY COVER

Item	No.	Parts No.	Unit	Qty	Parts Name		
1	83600-116-000		1	1	LEFT BODY COVER		□□□
2	83500-116-000		1	1	RIGHT BODY COVER		□□□
3	31506-116-000		1	1	BODY CENTER COVER		□□□□
4	83603-116-000		1	1	LEFT SIDE COVER(METAL GARY)	□□	□□□
5	83503-116-000		1	1	RIGHT SIDE COVER(METAL GARY)REV.1	□□	□□□(□1)
6	93903-04012		8	8	TAPPING SCREW TRUSS HEAD PHILLIPS	4*12	□□□□
7	94101-0412010		8	8	PLAIN WASHER	4*12*1	□□□□
8	93903-05016		2	2	TAPPING SCREW TRUSS HEAD PHILLIPS	5*16	□□□□
9	94101-0514010		2	2	PLAIN WASHER	5*14*1	□□□□
10	90344-04000		3	3	U PLATE NUT	4mm	U□□□□
11	87730-116-000		1	1	RIGHT SIDE COVER STICKER		□□□□□
12	87731-116-000		1	1	LEFT SIDE COVER STICKER		□□□□□

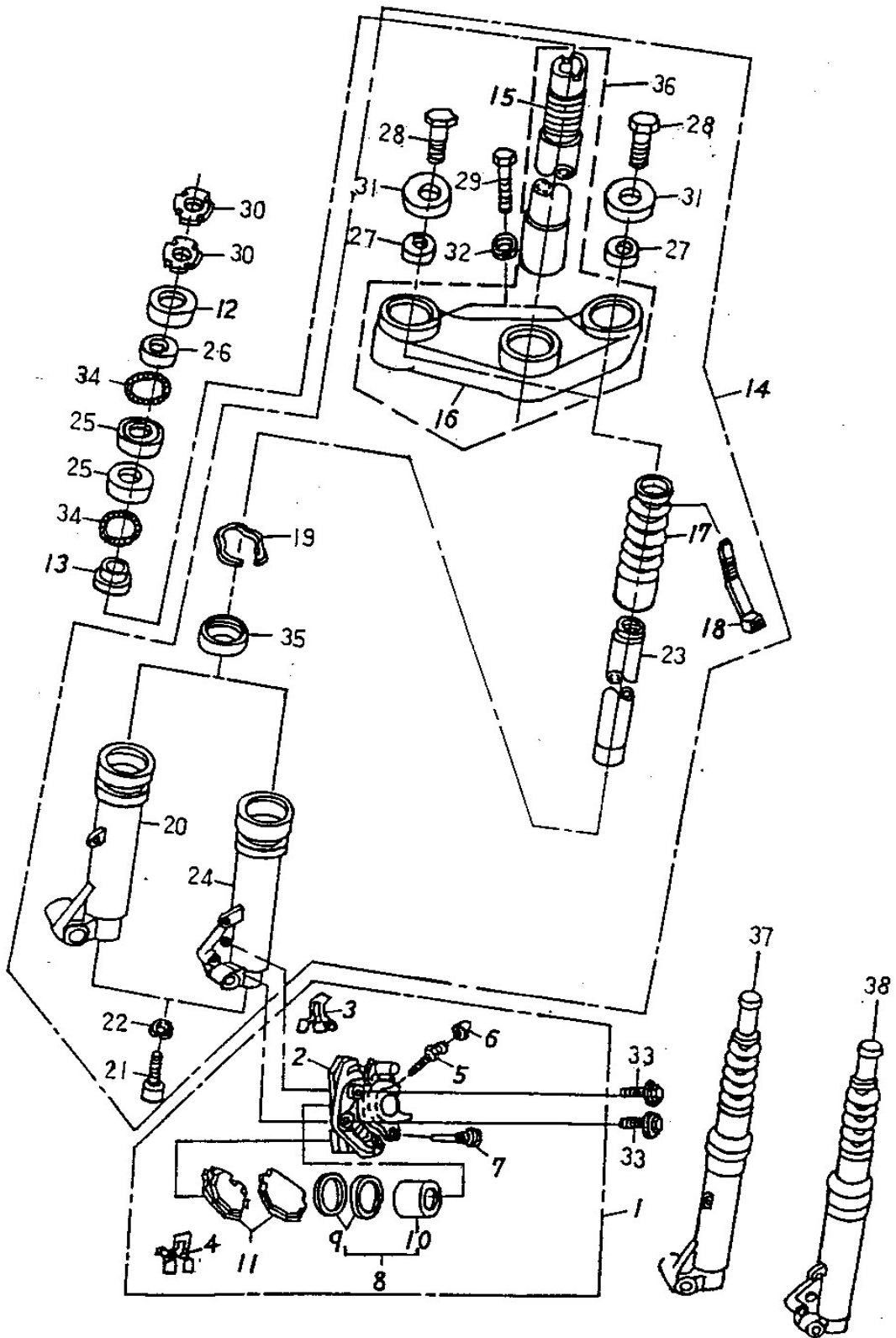
FUEL TANK, OIL TANK



□□□ □□116-16 □□,□□□ FUEL TANK,OIL TANK

Item	No.	Parts No.	Unit	Qty	Parts Name		
1	55100-116-000		1		OIL TANK(REV.1)		□□□(□1)
2	55105-101-000		1		OIL TANK CAP		□□□□
3	92000-06018-10		2		HEX BOLT	6*18	□□□□□□(□1)
4	83553-116-000		2		GROMMET		□□
5	17500-116-000		1		FUEL TANK COMP		□□□
6	17620-116-001		1		FUEL TANK CAP		□□□□(□□□)
7	16952-101-000		1		PETROL FILTER		□□□□□
8	94400-0408060		2		TUBE	4.8*8*60	□□
9	94510-10500		1		CLIP	10.5*1.2	□□□
10	94510-08000		9		CLIP	8*0.8	□□□
11	94050-06000		3		HEX FLANGE NUT WITH SERRATION	6mm	□□□□□□
12	16950-116-000		1		FUEL CUP		□□□
13	93701-06015		1		PAN FLAT HEAD PHILLIPS BOLT	6*15	□□□□□□□□
14	94400-0408A420		1		TUBE	4.8*8*420	□□
15	94400-0307210		1		TUBE	3.5*7.5*210	□□
16	94400-0408190		1		TUBE	4.8*8*190	□□

FRONT FORK

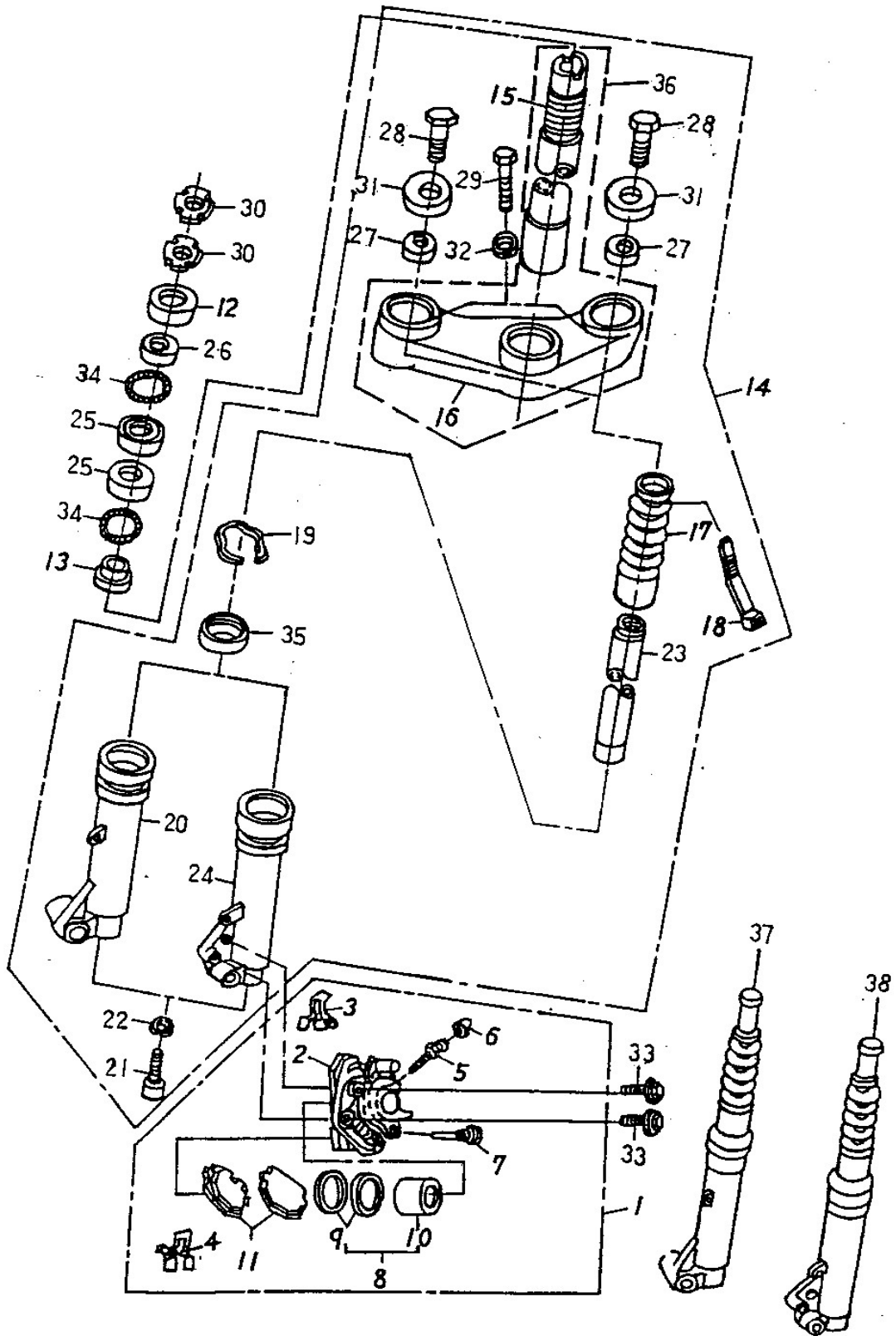


□□□ □□116-17

□□ FRONT FORK

Item	No.	Parts No.	Unit	Qty	Part Name	
1	45000-107-001		1	1	FRONT BRAKE CALIPER ASS'Y	□□□□□□□(□□□)
2	45010-107-000		1	1	FRONT BRAKE CALIPER	□□□□□
3	45021-107-000		1	1	UPPER SNUBBER SUPPORT (SMALL)	□□□□□□(□)
4	45026-107-000		1	1	LOWER SNUBBER SUPPORT(BIG)	□□□□□□(□)
5	45031-107-000		1	1	BREED SCREW KIT	□□□
6	45033-107-000		1	1	BREED SCREW KIT RUBBER SHROUD	□□□□□□
7	45036-107-000		1	1	CALIPER SET BOLT	□□□□□□
8	45040-107-000		1	1	CALIPER PISTOW ASS'Y	□□□□□□
9	45043-107-000		1	1	CALIPER OIL SEAL KIT	□□□□□
10	45046-107-000		1	1	CALIPER PISTOW	□□□□
11	45120-107-001		1	1	FRONT BRAKE PAD KIT	□□□□□(□□□)
12	50301-101-000		1	1	STEERING STEM DUST COVER	□□□□□□
13	53215-101-000		1	1	RACE,BALL #5	□□5□(□1)
14	51100-109-000		1	1	FRONT FORK ASS'Y	□□□□(□1)
15	51100-109-000		1	1	FRONT FORK ASS'Y	□□□□(□1)
16	51107-107-000		1	1	STEERING STEM COMP	□□□□
17	51108-109-000		1	1	UNDER BRACKET	□□□
18	51123-107-000		2	2	RUBBER SHROUD	□□□□
19	51124-107-000		2	2	CABLE STRAT	□□
20	51141-107-000		2	2	SPRING CIRCLIP	□□□□
21	51510-107-000		1	1	R.OUTER TUBE	□□□
22	51513-107-000		2	2	HEX SOCKET BOLT	□□□□□□
23	51514-107-000		2	2	SPRING WASHER	□□□□
24	51520-107-000		2	2	INNER TUBE COMP	□□□
25	51610-107-000		1	1	L,OUTER TUBE	□□□
26	53213-101-000		2	2	LATHE STRG INNER #3	□□3□(□1)
27	53212-101-000		1	1	LATE CONE STRG TOP #2	□□2□(□1)
28	91310-107-000		2	2	OIL RING	10*5.25 □□
29	92000-10022-17		2	2	HEX BOLT	10*22 □□□□
30	92000-10036-14		2	2	HEX BOLT	10*36 □□□□

FRONT FORK

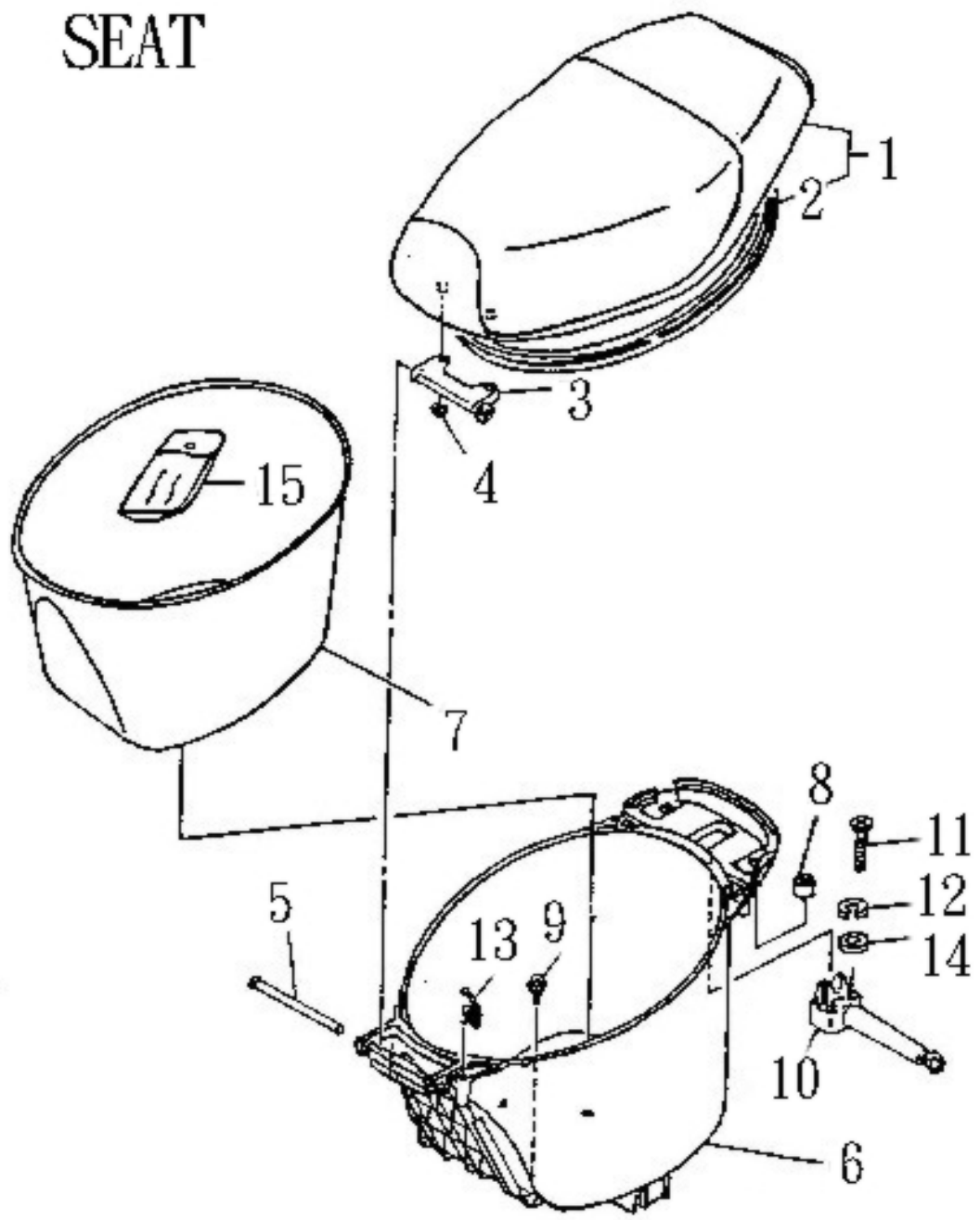


□□□ □□116-17

□□ FRONT FORK

Item	No.	Parts No.	Unit	Qty	'ty	Parts Name		
31	94071-25000		2			SPANER NUT	25mm	□□□□
32	94101-1032020		2			PLAIN WASHER	10*32*2	□□□□
33	94111-1017025		2			SPRING WASHER	10*17*2.5	□□□□
34	96000-08034-12		2			HEX WASHER FACE BOLT	8*34	□□□□□□(□□)
35	96211-101-000		2			STEEL BALL		□□□
36	96500-2637105		2			OIL SEAL	26*37*10.5	□□
37	51109-109-000		1			STEERING STEM WITH BRACKET ASS'Y		□□□□□□□
38	53030-107-000		1			RIGHT TUBE ASS'Y		□□□
39	53130-107-000		1			LEFT TUBE ASS'Y		□□□

SEAT

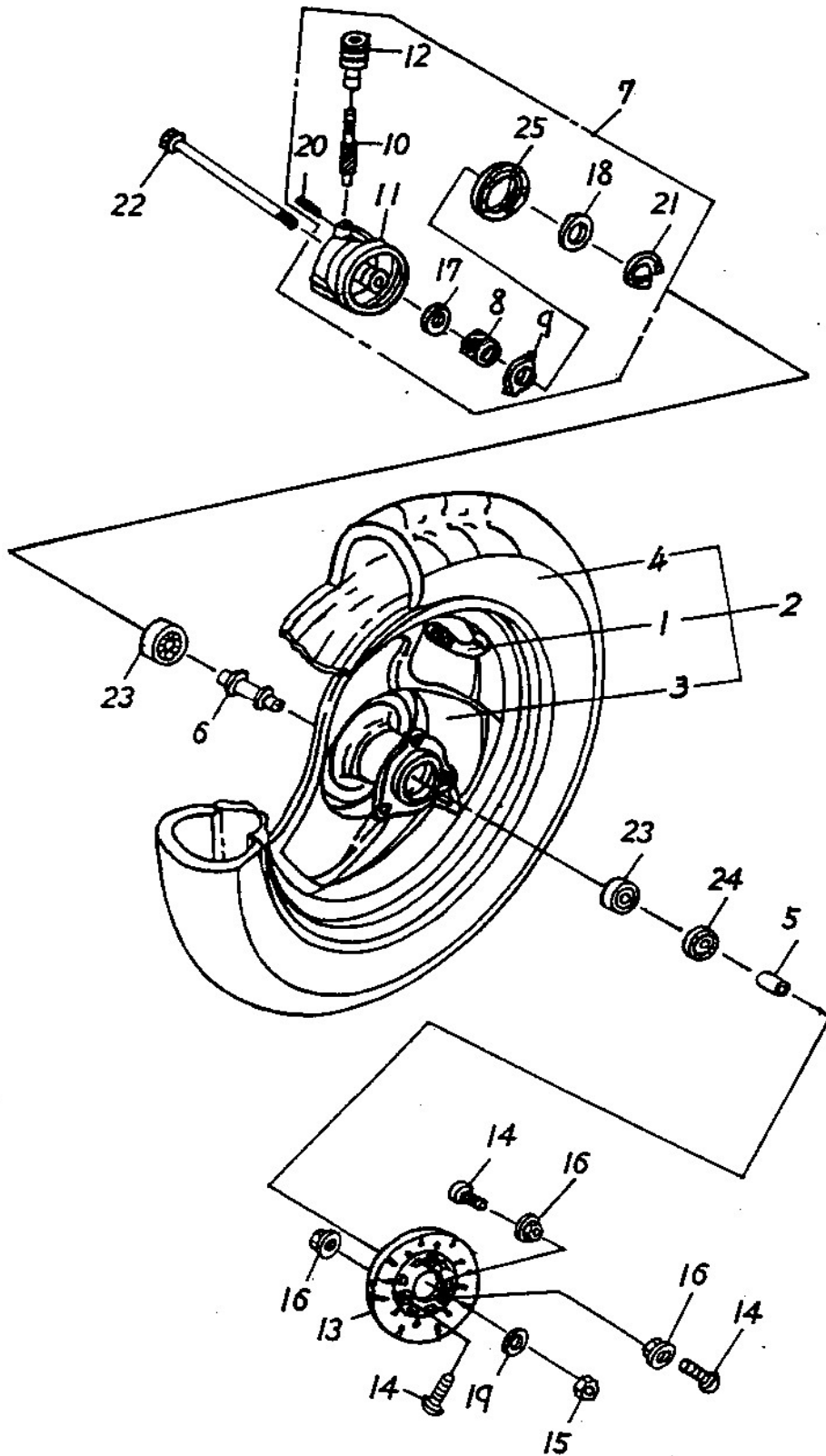


□□□ □□116-18

□□ SEAT

Item	No.	Parts No.	Unit	Qty	'ty	Parts Name		
□□	□ □ □ □	□□ □ □ □ □	□□	□ □ □ □				□
1	77200-116-00C		1		SEAT 55CM (NEW)		55CM	□□□□(55CM) NEW
2	77209-116-000		1		SEAL			□□
3	77201-116-000		1		SEAT BRACKET			□□□□□(□1)
4	94050-06000		4		HEX FLANGE NUT WITH SERRATION		6mm	□□□□□□
5	77203-116-000		1		SEAT FIX SHAFT		10*115	□□□□□
6	77207-116-001		1		HELMET BOX			□□□□
7	77208-116-000		1		HELMET BOX MAT			□□□□□□
8	81201-116-000		2		SPACE TUBE		6.5*12*7	□□□
9	92000-06018-10		2		HEX WASHER FACE BOLT		6*18	□□□□□□
10	77230-116-000		1		SEAT LOCK ASS'Y			□□□□□
11	93500-06035		2		PAN PHILLIPS BOLT		6*35	□□□□□□
12	94111-0612015		2		SPRING WASHER		6*12*1.5	□□□□
13	77106-116-000		1		HELMET HOOK			□□□□□(□1)
14	94101-0613010		2		PLAIN WASHER		6*13*1	□□□□
15	50120-101-000		1		TOOL BAG			□□□

FRONT WHEEL



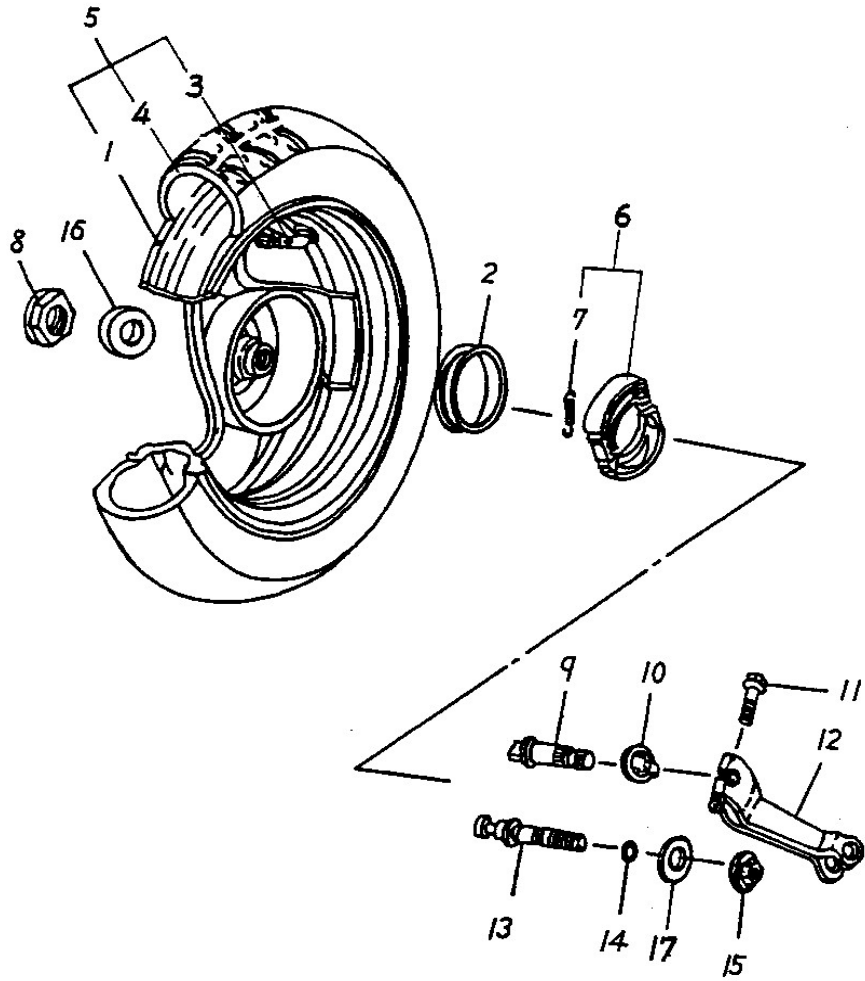
□□□ □□116-19

□□ FRONT WHEEL

Item	No.	Parts No.	Unit	Qty	Parts Name		
1	42616-104-000		1		AIR NOZZLE		□□
2	42700-109-000		1		FRONT TIRE SET		□□□□
3	42701-109-000		1		FRONT RIM		□□□□(□1)
4	42701-109-000		1		FRONT RIM		□□□□(□1)
5	42711-109-000		1		FRONT TIRE	120/90-10	□□□ 120/90-10 (□□)
6	44311-107-000		1		FRONT COLLAR	10.2*17*20.2	□□□□
7	44620-109-000		1		FRONT SPACER TUBE	16*74.6	□□□□□
8	44806-110-000		1		SPEEDOMETER GEAR ASS'Y		□□□□□□
9	44811-110-000		1		SPEEDOMETER MAIN GEAR	16T	□□□□□□ 16T
10	44812-107-000		1		SPEEDOMETER GEAR BRACKET		□□□□□□□□
11	44813-107-000		1		SPEEDOMETER SECONDARY GEAR	8T	□□□□□□ 8T
12	44816-107-000		1		SPEEDOMETER GEAR EXTERNAL COVER		□□□□□□□
13	44818-107-000		1		SPEEDOMETER GEAR COPPER HEAD		□□□□□□□
14	45015-107-000		1		FRONT BRAKE DISC	φ155	□□□□
15	45016-107-000		3		BRAKE DISC HEX SOCKET BOLT	10*20	□□□□□□□
16	90350-10000		1		NYLON NUT	10mm*1.25	□□□□
17	94050-10000		3		HEX FLANGE NUT WITH SERRATION	10mm	□□□□□□
18	94101-1622010		1		PLAIN WASHER	16.5*22*1	□□□□
19	94101-1628010		1		PLAIN WASHER	16.5*28*1	□□□□
20	94101-1022015		1		PLAIN WASHER	10*22*1.5	□□□□
21	94305-20140		1		SPLIT SPRING PIN	2*14	□□□□
22	94511-1600S		1		EXTERNAL CIR CLIP	STW-16	□□□
23	96000-10220-14		1		HEX WASHER FACE BOLT	10*222	□□□□□□(□□□)(□1)
24	96100-6300Z		2		RADIAL BALL BEARING	6300Z(□□)	□□□□
25	96500-17357		1		OIL SEAL	TC 17*35*7	□□(□□)
26	96500-40526		1		OIL SEAL	40*52*6	□□□□□□□



REAR WHEEL

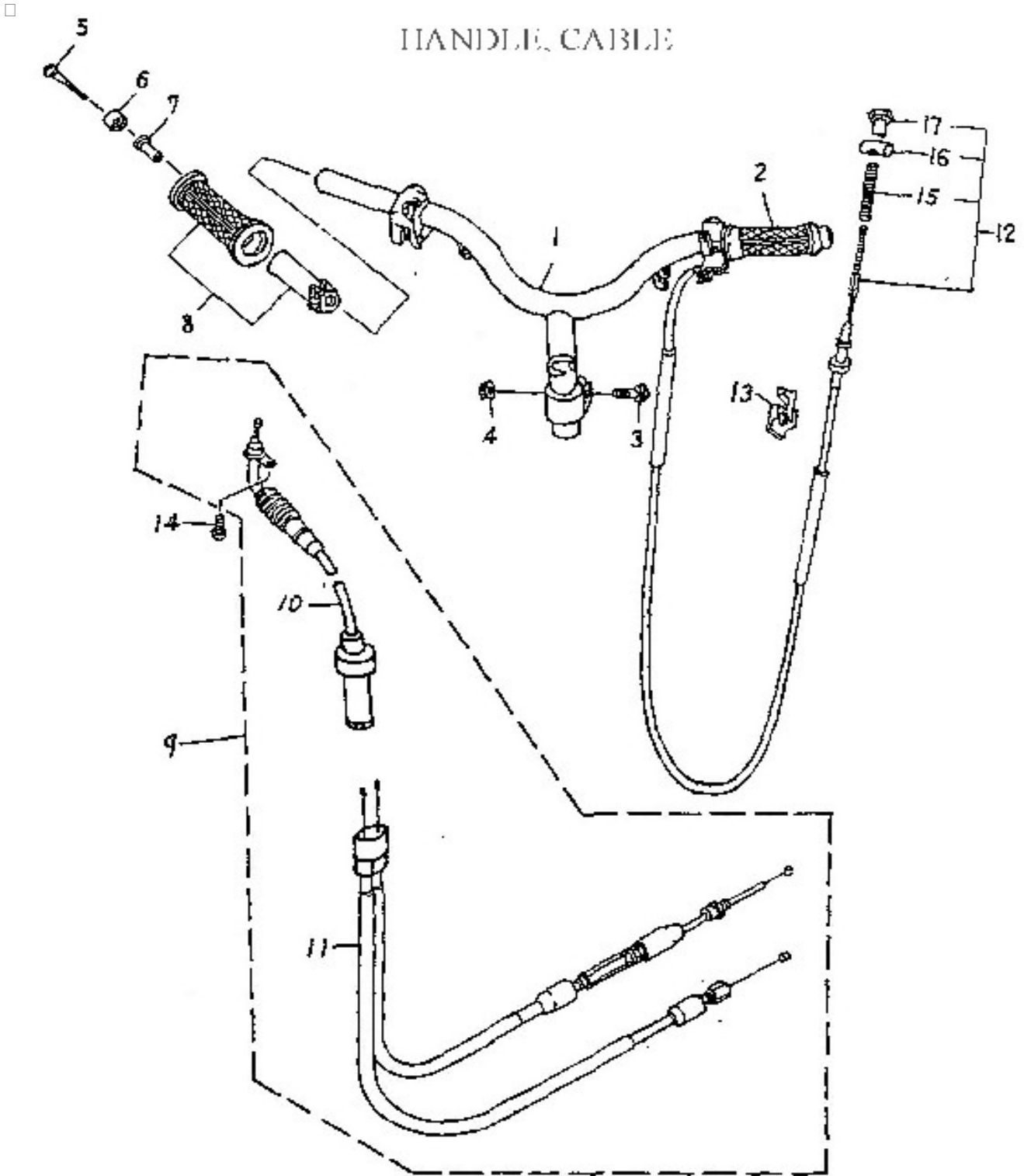


□□□ □□116-20

□□ REAR WHEEL

Item	No.	Parts No.	Unit	Qty	Part Name		
1	42801-116-000		1	1	REAR RIM		□□□□(□1)
2	42801-116-000		1	1	REAR RIM		□□□□(□1)
3	42616-104-000		1	1	AIR NOZZLE		□□
4	42811-109-000		1	1	REAR TIRE		□□□ 130/90-10 (□□)
5	42812-116-000		1	1	REAR TIRE SET		□□□□□
6	43120-110-001		1	1	REAR BRAKE SHOE ASS'Y	□□□	□□□□□□
7	43151-104-000		2	2	REAR BRAKE SHOE STRAIN SPRING		□□□□□□□□
8	90350-14000		1	1	NYLON NUT	14mm	□□□□
9	43141-101-001		1	1	BRAKE CAM SHAFT		□□□□□□
10	43145-104-000		1	1	INDICATOR PLATE		□□□□□
11	96000-06030-10		1	1	HEX WASHER FACE BOLT	6*30	□□□□□□
12	43410-116-000		1	1	REAR BRAKE ARM		□□□□(□1)
13	45110-116-000		1	1	REAR BRAKE FIX SHAFT		□□□□□□(□2)
14	91307-101-000		1	1	OIL RING	7.5*1.5	□□ 7.5*1.5
15	94050-08000		1	1	HEX FLANGE NUT WITH SERRATION	8mm	□□□□□□
16	94101-1529030		1	1	PLAIN WASHER	15*29*3	□□□□
17	94101-0815015		1	1	PLAIN WASHER	8*15*1.5	□□□□

HANDLE, CABLE

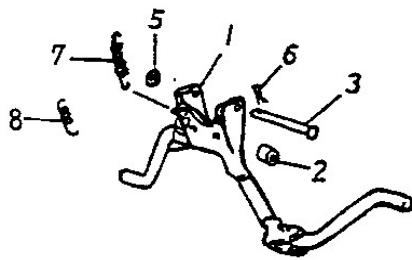
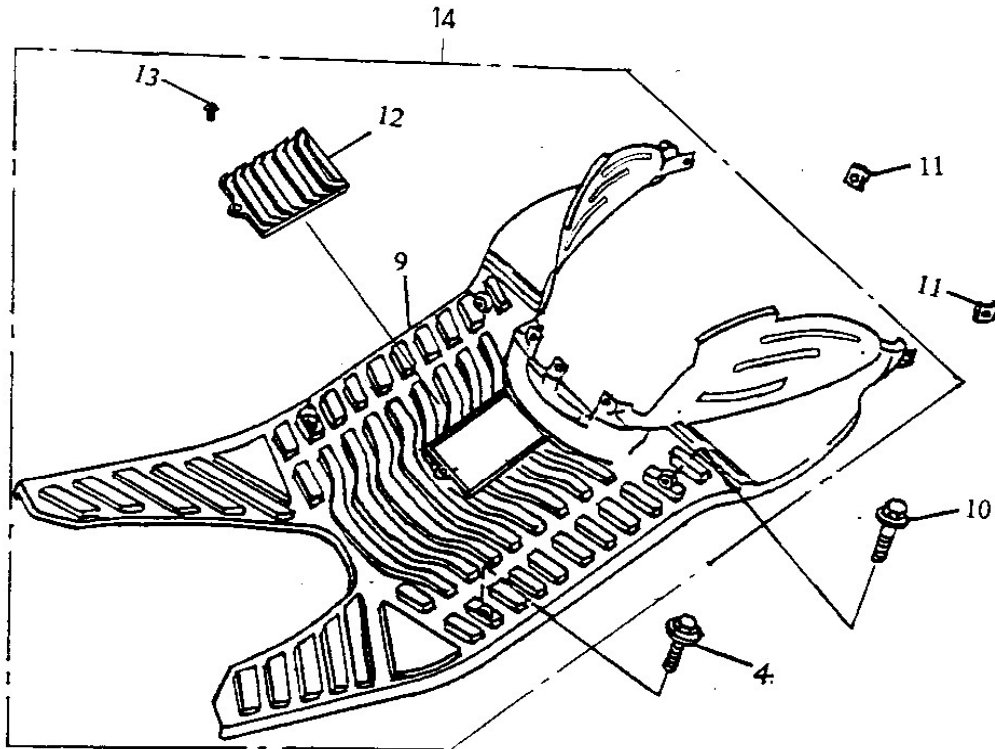


□□□ □□116-21

□□,□□ HANDLE,CABLE

Item	No. Parts No. Un	it Q	'ty	Parts Name		
□□	□ □ □ □	□□	□ □ □			□
1	53100-111-000	1		HANDLE BAR		□□□□
2	53166-107-000	1		L.HANDLE GRIP		□□□□
3	96000-10045-14	1		HEX WASHER FACE BOLT	10*45	□□□□□□
4	94050-10000	1		HEX FLANGE NUT WITH SERRATION	10mm	□□□□□□
5	93902-06045	2		FLAT HEAD PHILLIPS BOLT	6*45	□□□□□□(□□□)
6	53116-107-000	2		GRIP END		□□□(□1)
7	53111-107-000	2		GRIP END SPACER TUBE	8.5*12/18*23	□□□□□□
8	53165-107-000	1		R.HANDLE GRIP COMP		□□□□□
9	17910-116-000	1		THROTTLE CABLE		□□□□(□1)
10	17930-116-000	1		THROTTLE FRONT CABLE		□□□□□□
11	17920-116-000	1		THROTTLE REAR CABLE		□□□□□□
12	43450-111-001	1		REAR BRAKE CABLE		□□□□□
13	35201-107-000	1		RUBBER PRDTECTOR		□□□□
14	93500-05010	1		PAN PHILLIPS BOLT	5*10	□□□□□□
15	43472-110-00A	1		RESET SPRING	140mm	□□□□□
16	95015-31001	1		REAR BRAKE FIXTURE	12*22	□□□□□□□□
17	95015-41000	1		REAR BRAKE ADJUST NUT	6mm	□□□□□□

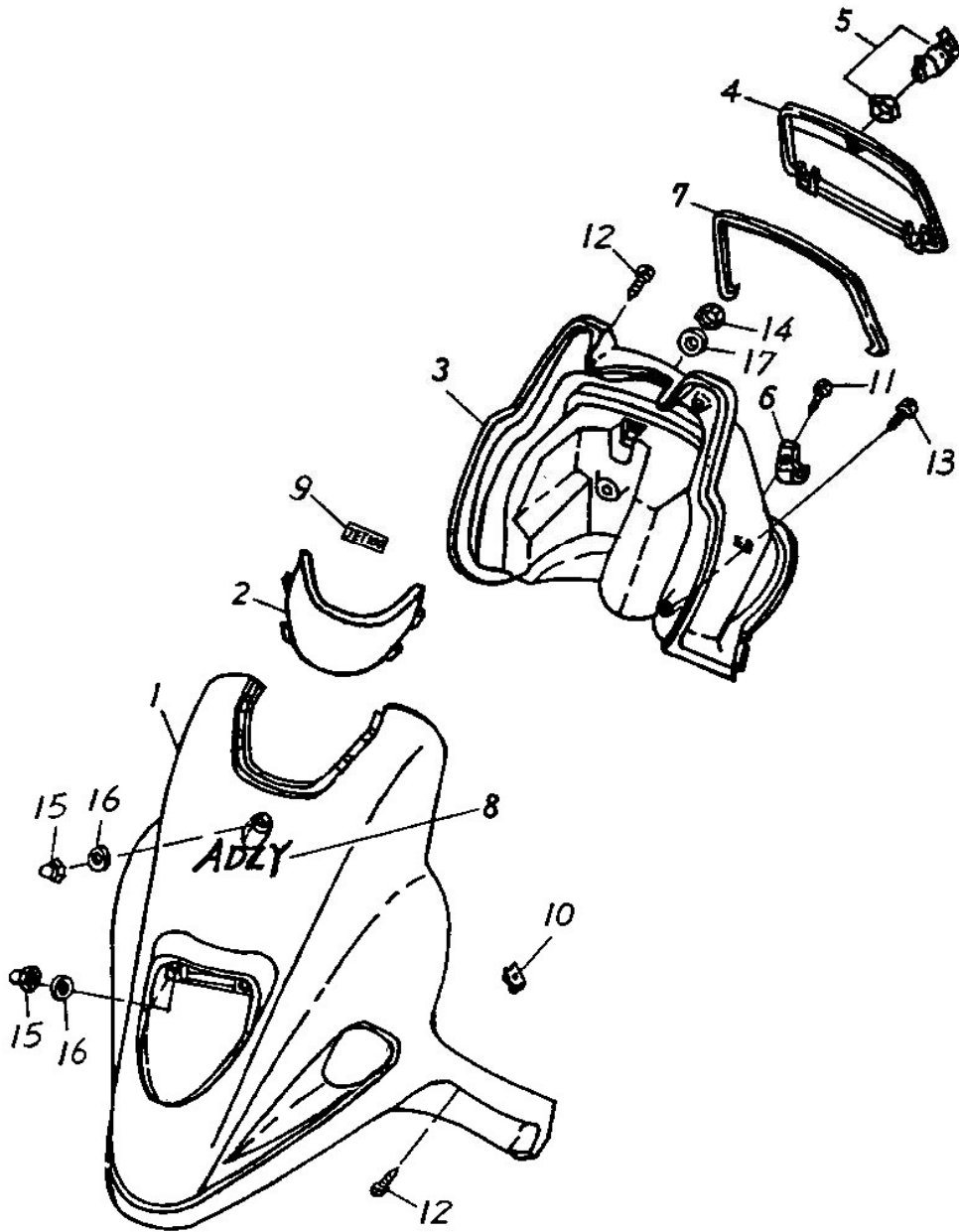
FLOOR PANEL, MAIN STAND



□□□ □□116-22 □□□,□□□ FLOOR PANEL,MAIN STAND

Item	No.	Parts No.	Unit	Qty	Part Name		
1	50500-116-000		1	1	MAIN STAND COMP		□□□(□5)
2	95011-101-000		1	1	RUBBER DAMPER		□□□□□□□□
3	50503-116-000		1	1	MAIN STAND FIX SHAFT	10*76.8	□□□□□□(□2)
4	92000-06018-10		2	2	HEX BOLT	6*18	□□□□□□□(□1)
5	94101-1018005		1	1	PLAIN WASHER	10.5*18*0.5	□□□□
6	94201-20250		1	1	COTTER PIN	2*25	□□□
7	95014-71602		1	1	MAIN STAND RESET SPRING		□□□□□□□(JET□□-□□□)
8	64310-116-000		1	1	FLOOR PANEL ASS'Y(W/BATTERY COVER)		□□□□□(□□□□)
9	95014-71602-0A		1	1	MAIN STAND RESET SMALL SPRING		□□□□□□□□(□□□)
10	64310-116-001		1	1	FLOOR PANEL		□□□(□□)(□1)
11	92000-06030-10		2	2	HEX BOLT	6*30	□□□□□□□
12	90344-04000		5	5	U PLATE NUT	4mm	U□□□□
13	64311-116-000		1	1	BATTERY COVER		□□□
14	93701-06010		1	1	PAN FLAT HEAD PHILLIPS BOLT		□□□□□□□□

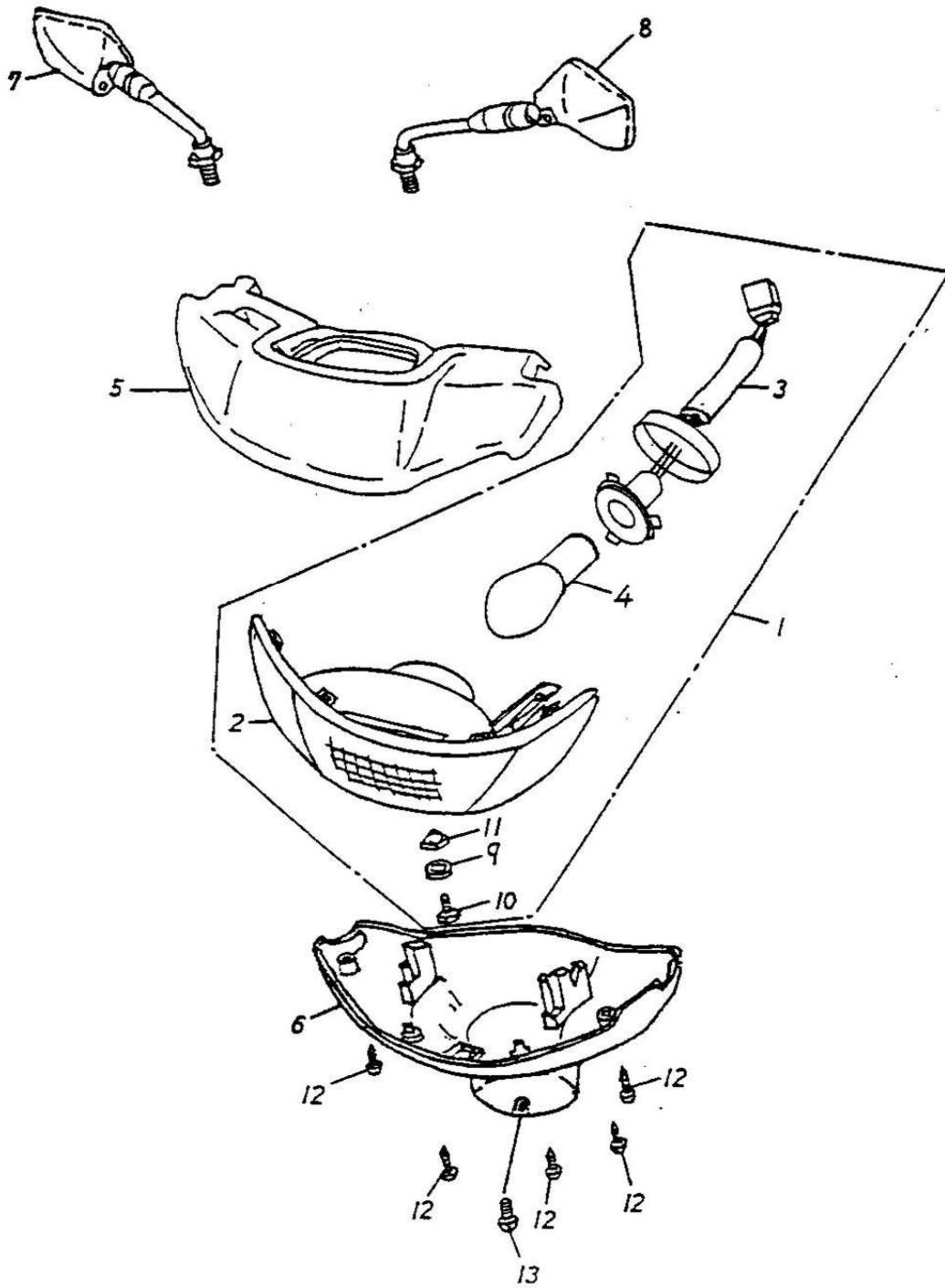
FRONT COVER, INNER B



□□□ □□116-23 □□□,□□□ FRONT COVER,INNER BOX

Item	No.	Parts No.	Unit	Qty	Part Name		
1	64301-116-000		1	1	FRONT COVER		□□□
2	81131-116-000		1	1	INNER BOX	DARK GRAY	□□□(□□)
3	81141-116-000		1	1	INNER BOX LID	DARK GRAY	□□□□(□□)
4	81142-101-000		1	1	INNER BOX LOCK		□□□□
5	81144-105-000		2	2	INNER BOX LID BRACKET		□□□□□□□(□□)
6	81203-101-000		1	1	INNER BOX LID GASKET		□□□□□□□
7	87701-116-000		1	1	FRONT COVER STICKER		□□□□□
8	87711-116-000		1	1	STRIPE STICKER		□□□□□□
9	90344-04000		2	2	U PLATE NUT	4mm	u□□□□□
10	93903-04012		2	2	TAPPING SCREW TRUSS HEAD PHILLIPS	4*12	□□□□
11	93903-05012		4	4	TAPPING SCREW TRUSS HEAD PHILLIPS	5*12	□□□□
12	93903-05016		2	2	TAPPING SCREW TRUSS HEAD PHILLIPS	5*16	□□□□
13	94001-06000		1	1	HEX NUT	6mm	□□□□(□□)
14	94021-06000		3	3	ACORN CAP NUT	6mm	□□□□□□
15	94101-0614020		3	3	PLAIN WASHER	6*14*2	□□□□
16	94101-0619010		1	1	PLAIN WASHER	6*19*1	□□□□

HEAD LIGHT, REAR VIEW MIRROR



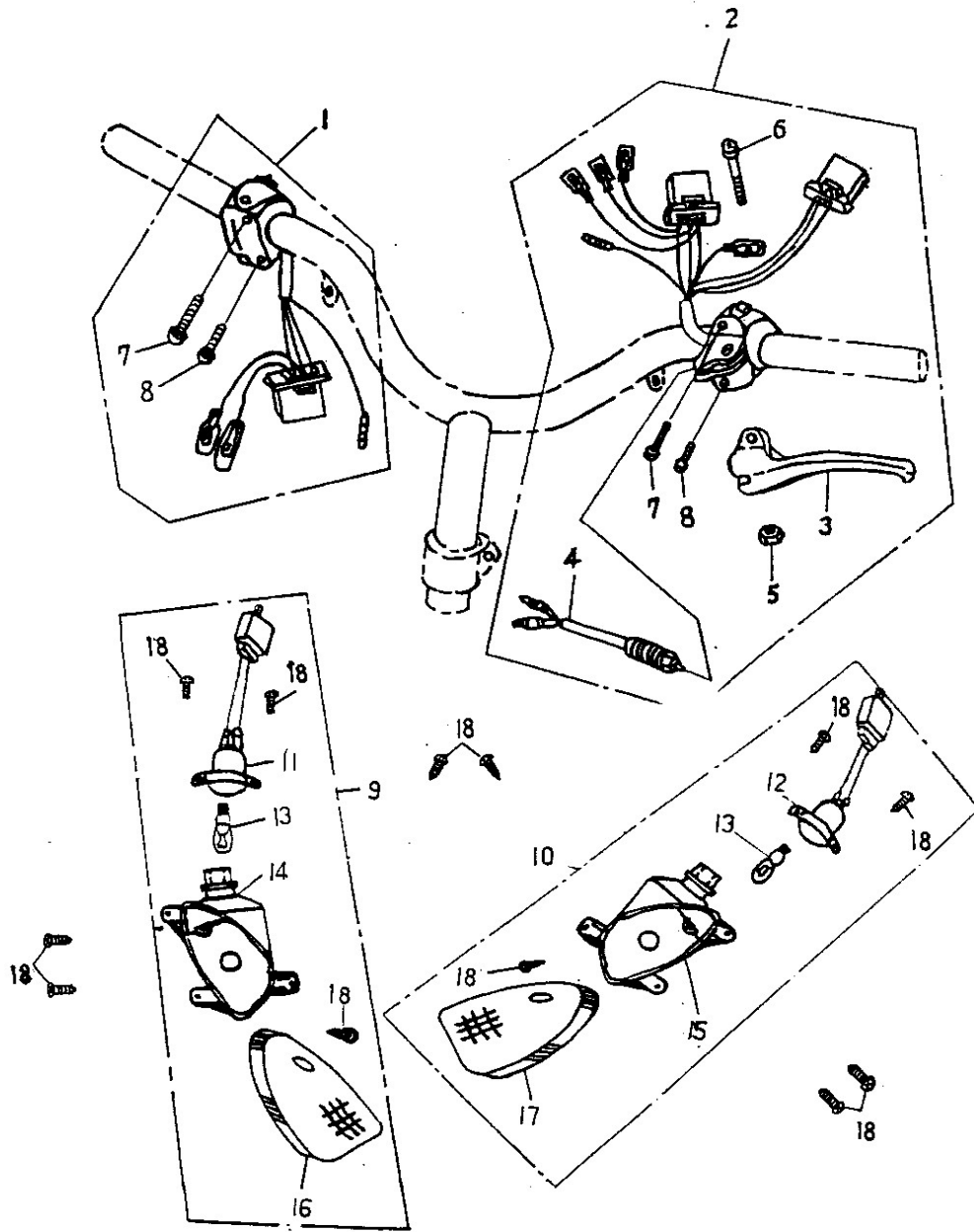
□□□ □□116-24A

□□,□□□(E-MARK) HEAD LIGHT,REAR VIEW MIRROR

Item	No. Parts No. Un	it Q	'ty	Parts Name		
□□	□ □ □ □	□□	□ □ □			□
1	33100-111-00C	1		HEAD LIGHT ASS'Y	E+K-MARK	□□□□(E+K-MARK □.□)
2	33110-111-00C	1		HEAD LIGHT COVER		□□□(E+K"MARK)
3	33111-111-00A	1		HEAD LIGHT SOCKET (K-MARK)	K-MARK	□□□□ (K-MARK)
4	34901-110-00A	1		HEAD LIGHT BULB (E-MARK)	12V35W35W	□□□(□□□□E-MARK)
5	64211-111-000	1		HEAD LIGHT CASE		□□□(□□)
6	53205-116-000	1		SPEEDMETER CASE		□□□□(□□□□)
7	88110-116-001	1		R.REAR VIEW MIRROR		□□□□(E-MARK)
8	88120-116-001	1		L.REAR VIEW MIRROR		□□□□(E-MARK)
9	94101-0512008	1		PLAIN WASHER	5*12*0.8	□□□□
10	92001-05012-08	1		HEX HEAD PHILLIPS BOLT	5*12	□□□□□□
11	94002-05000	1		SQUARE NUT	5mm	□□□□
12	93903-05016	6		TAPPING SCREW TRUSS HEAD PHILLIPS	5*16	□□□□
13	93500-05012	1		PAN PHILLIPS BOLT	5*12	□□□□□□



FRONT SIGNAL, HANDLE SWITCH

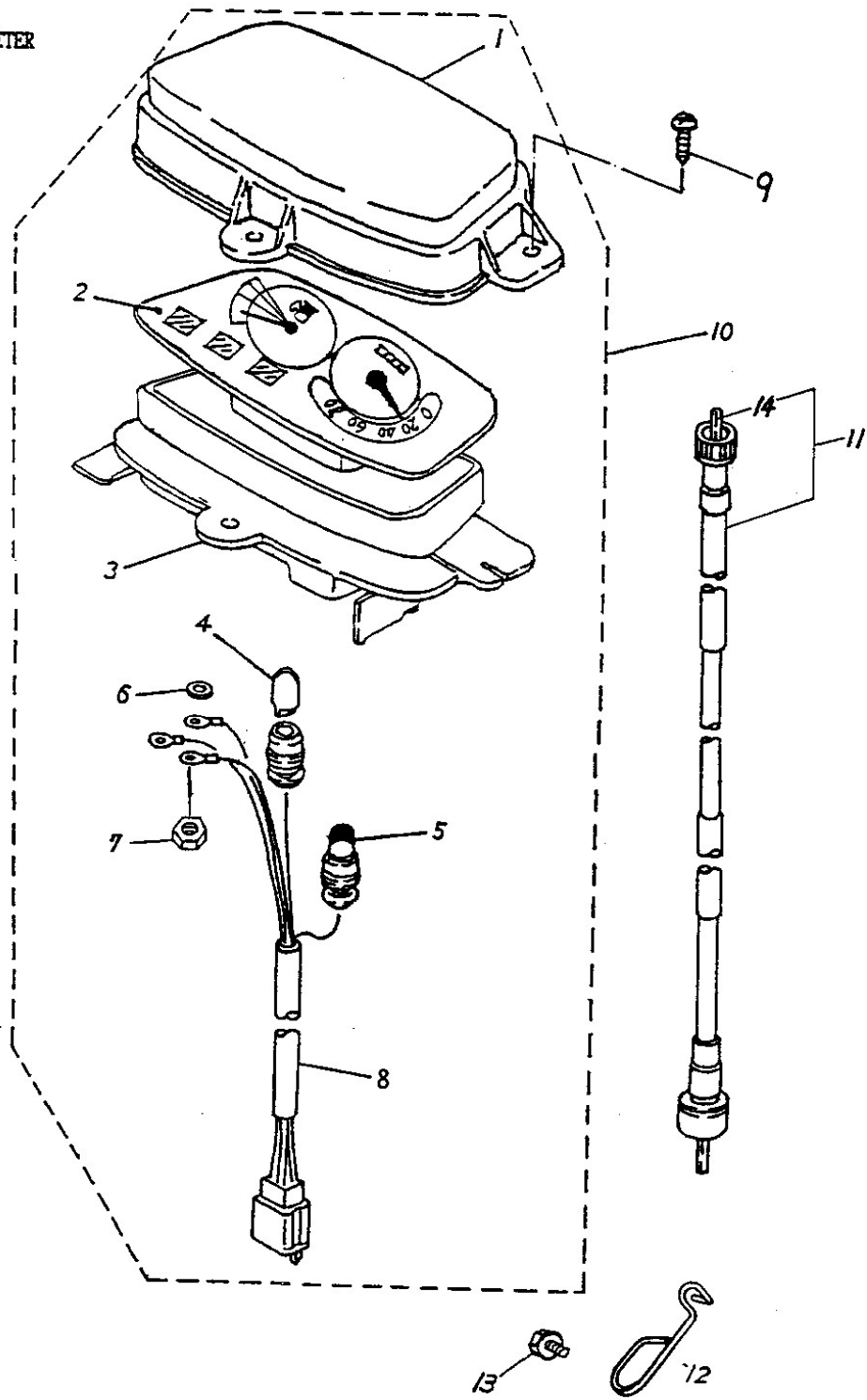


□□□ □□116-25

□□□□,□□□□ FRONT SIGNAL,HANDLE SWITCH

Item	No.	Parts No.	Unit	Qty	Part Name		
1	35150-111-001		1		R.HANDLE SWITCH ASS'Y (MARK)		□□□□□(□□)
2	35200-111-001		1		L. HANDLE SWITCH ASS'Y (MARK), REV.2		□□□□□(□□), □2
3	53178-107-000		1		LEFT LEVERL		□□□
4	35345-111-000		1		L.BRAKE SWITCH WIRE		□□□□□□
5	90350-05000		1		NYLON INSERT LOCK NUT	5mm	□□□□ 5mm
6	90116-107-000		1		LEFT LEVER SET BOLT	5*23	□□□□□□ 5*23
7	93500-05035		2		PAN PHILLIPS BOLT	5*35	□□□□□□
8	93500-05025		2		PAN PHILLIPS BOLT	5*25	□□□□□□
9	33400-125-000		1		R.SIGNAL ASS'Y (E-MARK)		□□□□□□(E-MARK)
10	33450-125-000		1		L.SIGNAL ASS'Y(E-MARK)		□□□□□□(E-MARK)
11	33425-125-000		1		R.SIGNAL BULB SOCKET		□□□□□□
12	33435-125-000		1		L.SIGNAL BULB SOCKET		□□□□□□
13	34905-118-000		2		BULB (E-MARK)	12V/10W	□□□□ (E-MARK)
14	33401-125-000		1		R.SIGNAL SOCKET		□□□□□
15	33451-125-000		1		L.SIGNAL SOCKET		□□□□□
16	33402-125-000		1		R.SIGNAL COVER (E-MARK)		□□□□□ (E-MARK)
17	33452-125-000		1		L.SIGNAL COVER (E-MARK)		□□□□□(E-MARK)
18	93903-03012		12		TAPPING SCREW TRUSS HEAD PHILLIPS	3*12	□□□□

SPEEDOMETER

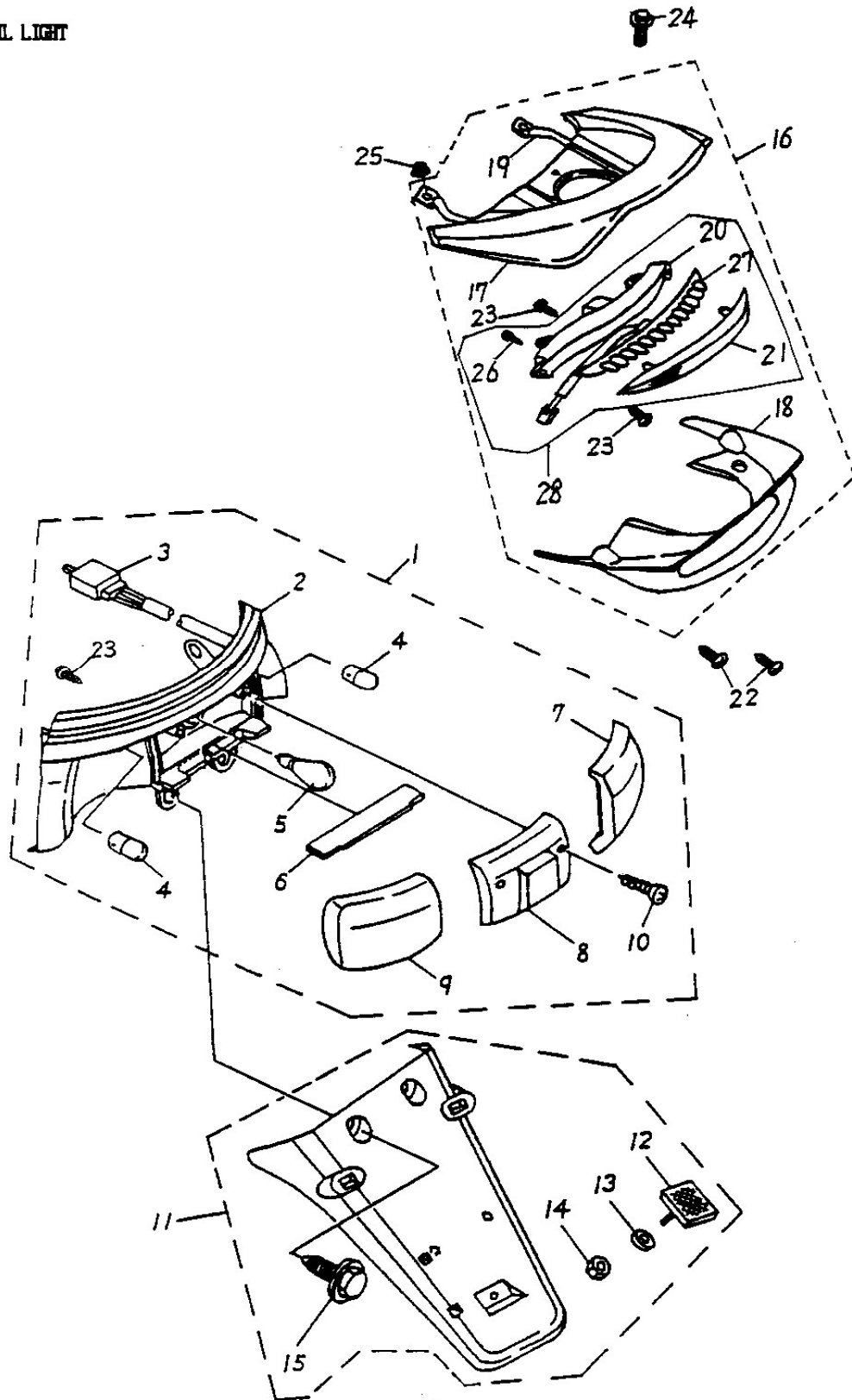


□□□ □□116-26

□□□ SPEEDOMETER

Item	No.	Parts No.	Unit	Qty	'ty	Parts Name	
1	37230-107-000		1			SPEEDOMETER GLASS	□□□□□□□
2	37220-116-001		1			SPEEDOMETER BODY (CARBON)	□□□□□(CARBON)
3	37210-107-000		1			SPEEDOMETER CASE	□□□□
4	34908-101-000		4			BULB	12V1.7W □□□□
5	34908-116-002		1			METER BULB	12V 3.4W □□□□(□□)
6	94101-0306006		3			PLAIN WASHER	3*6*0.6 □□□□
7	94001-03000		3			HEX NUT	3mm □□□□
8	37250-107-000		1			SPEEDOETER WIRE HARNESS	□□□□□□□
9	93903-05016		2			TAPPING SCREW TRUSS HEAD PHILLIPS	5*16 □□□□
10	37200-116-001		1			SPEEDOMETER ASS'Y(37200)	CARBON □□□□□(□□)(37200)
11	44830-107-000		1			SPEEDOMETER CABLE ASS'Y(FOR DISC)	□□□□□□□(□□□)(□1)
12	44831-118-000		1			SPEEDOMETER CABLE BRACKET	□□□□□□□□-□
13	44831-118-001		1			SPEEDOMETER CABLE BRACKET	□□□□□□□□
14	92000-06018-10		1			HEX BOLT	6*18 □□□□□□□(□1)
15	44840-107-000		1			SPEEDOMETER INNER CABLE	□□□□□□

TAIL LIGHT

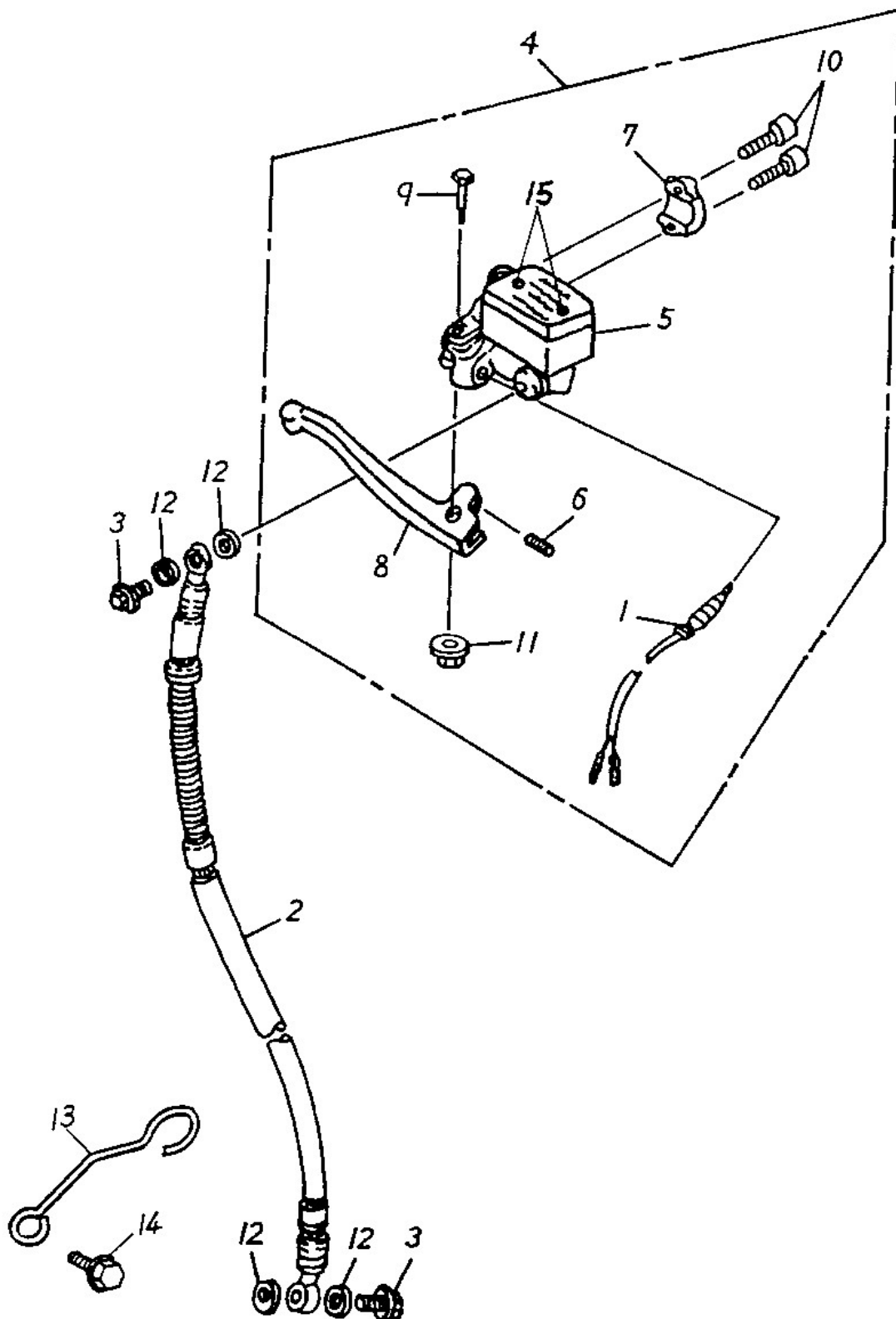


□□□ □□116-27A

□□(□□) TAIL LIGHT

Item	No.	Parts No.	Unit	Q'ty	Parts Name		
1	33700-116-000		1		TAIL LIGHT ASS'Y(METAL GARY)		□□□□
2	33711-116-000		1		REAR LIGHT SOCKET(METAL GARY)		□□□(□□)
3	33712-101-000		1		TAIL LIGHT WIRE HARNESS		□□□□□□
4	34905-116-000		2		FLASHER BULB	12V10W	□□□□□
5	34906-105-00A		1		TAIL LIGHT BULB (E-MARK)	12V 21/5W	□□□(E-MARK)
6	33705-116-000		1		NUMBER COVER		□□□□
7	33730-116-000		1		REAR RIGHT SIGNAL LENS	E-MARK	□□□□□□
8	33702-116-000		1		TAIL LIGHT LENS		□□□
9	33735-116-000		1		REAR LEFT SIGNAL LENS	E-MARK	□□□□□□
10	93903-04015		2		TAPPING SCREW TRUSS HEAD PHILLIPS	4*15	□□□□
11	80115-116-000		1		REAR FENDER		□□□
12	33741-105-000		1		REFLECTOR		□□□
13	94101-0514010		1		PLAIN WASHER	5*14*1	□□□□
14	94001-05000		1		HEX NUT	5mm	□□□□
15	92000-06018-10		2		HEX BOLT	6*18	□□□□□□□(□1)
16	81300-118-000		1		REAR CARRIER ASS'Y		□□□□
17	81301-118-000		1		REAR CARRIER UP COVER		□□□□
18	81302-118-000		1		REAR CARRIER DOW COVER		□□□□
19	81303-118-000		1		REAR CARRIER BRACKET		□□□□
20	33703-118-000		1		CARRAER BRAKE SOCKET		□□□□□□
21	33715-118-000		1		CARRIER BRAKE LENS		□□□□□□
22	93903-05016		4		TAPPING SCREW TRUSS HEAD PHILLIPS	5*16	□□□□
23	93903-04012		4		TAPPING SCREW TRUSS HEAD PHILLIPS	4*12	□□□□
24	96000-08015-12		1		HEX WASHER FACE BOLT	8*15	□□□□□□
25	94050-06000		2		HEX FLANGE NUT WITH SERRATION	6mm	□□□□□□
26	93903-02610		2		TAPPING SCREW TRUSS HEAD PHILLIPS	2.6*10	□□□□
27	33600-118-000		1		CARRIER BRAKE LIGHT		□□□□□
28	33800-118-000		1		CARRIER BRAKE LIGHT ASS,Y		□□□□□□□

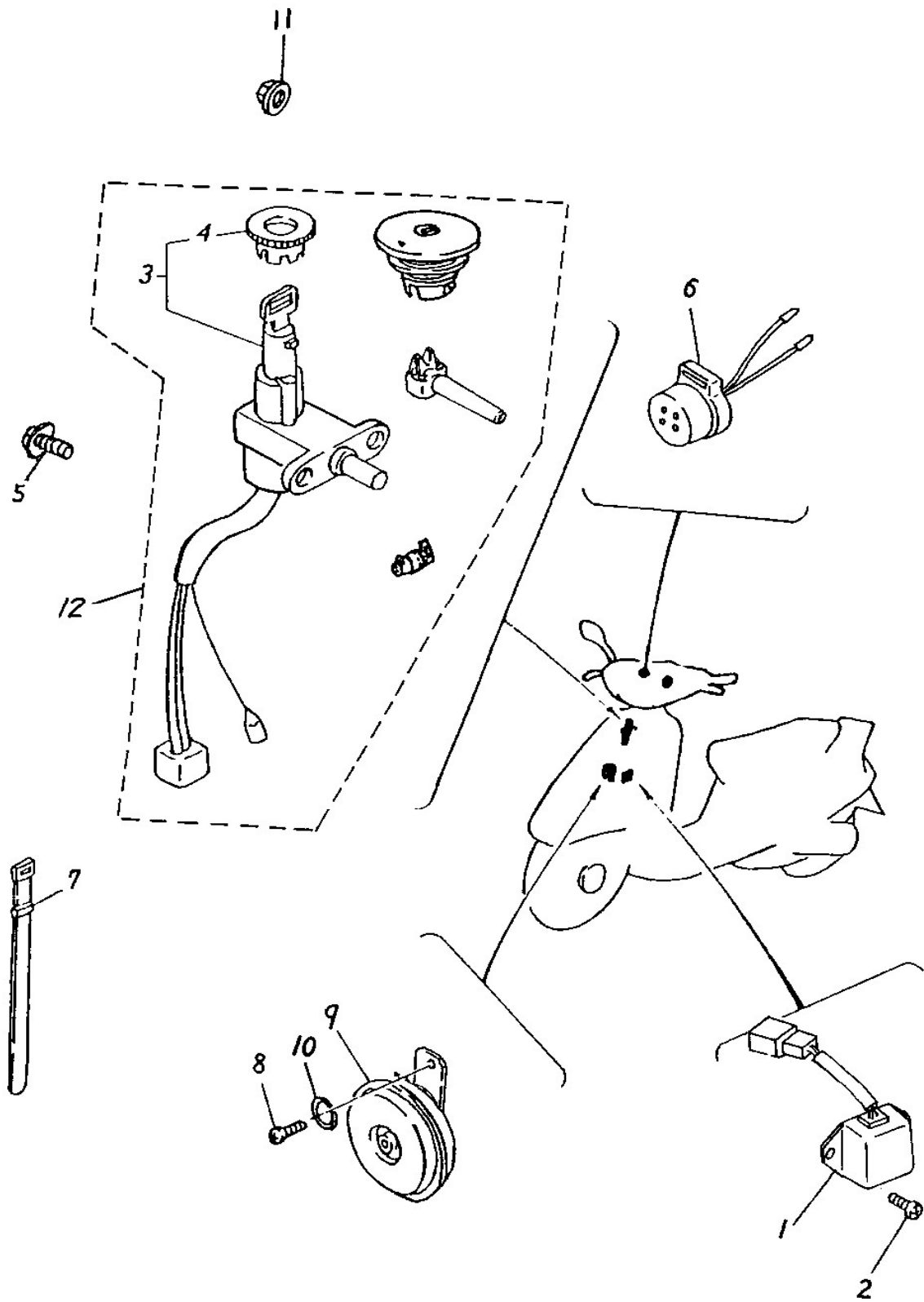
FRONT MASTER CYLINDER



□□□ □□116-28

□□□□□ FRONT MASTER CYLINDER

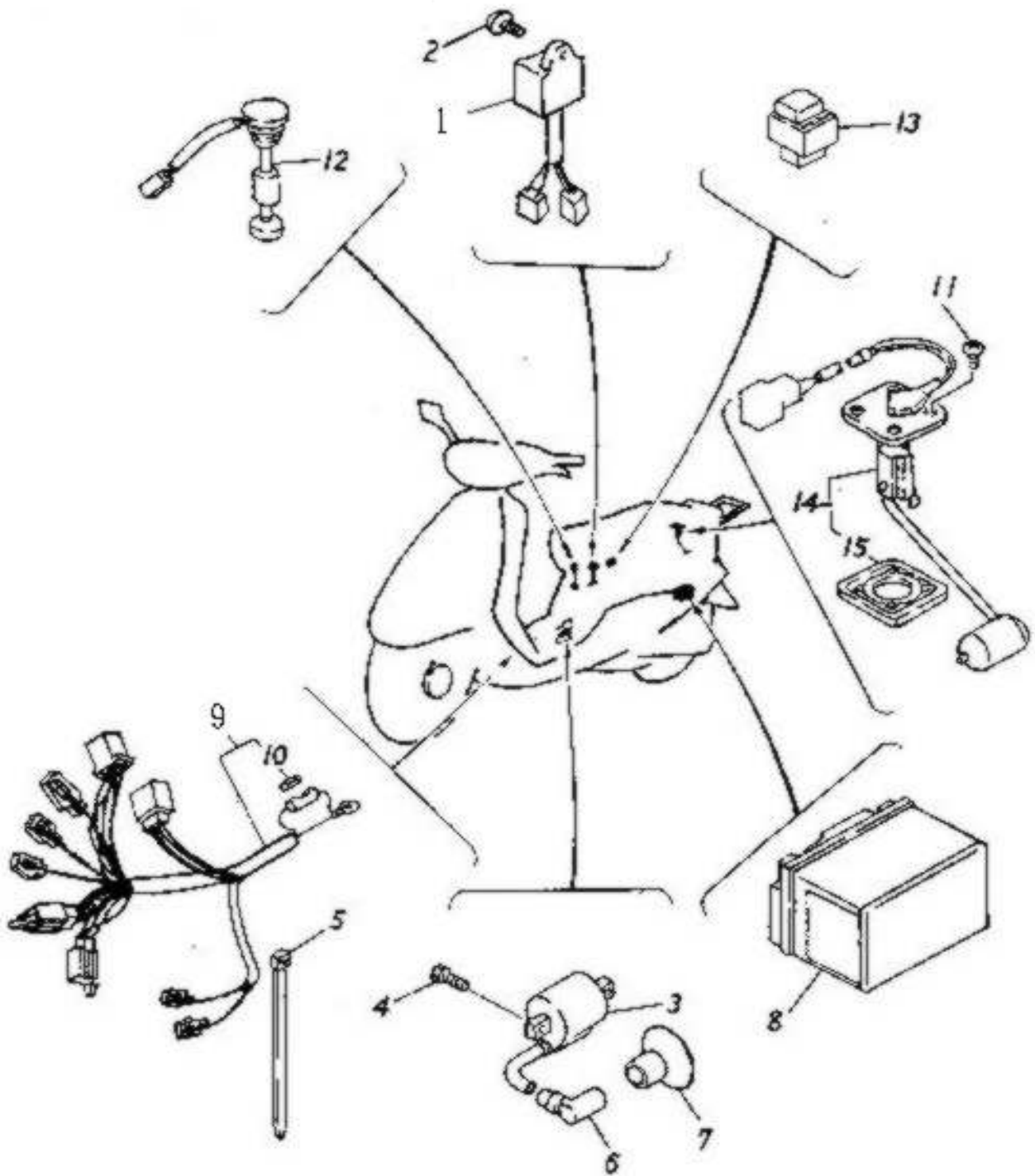
Item	No. Parts No. Un	it Q	'ty	Parts Name		
□□	□ □ □ □	□□	□ □ □			□
1	35340-107-000	1		R.BRAKE SWITCH WIRE		□□□□□□
2	45450-111-000	1		BRAKE HOSE		□□□□
3	45456-107-000	2		BRAKE HOSE HEX BOLT	10*22	□□□□□□
4	45500-107-000	1		MASTER CYLINDER SUB ASS'Y		□□□□□
5	45510-107-000	1		MASTER CYLINDER SUB		□□□
6	45515-107-000	1		LEVER RESET SPRING		□□□□□□
7	53174-107-000	1		MASTER CYLINDER BRACKET		□□□□□
8	53175-107-000	1		RIGHT LEVER		□□□
9	90115-107-000	1		RIGHT LEVER SET BOLT	6*30	□□□□□□□
10	91000-06025	2		HEX SOCKET BOLT	6*25	□□□□□□
11	94050-06000	1		HEX FLANGE NUT WITH SERRATION	6mm	□□□□□□
12	94101-1014510	4		COPPER PLAIN WASHER	10*14.5*1	□□□□□
13	45451-118-000	1		BRAKE HOSE BRACKET		□□□□□□□
14	92000-06018-10	1		HEX BOLT	6*18	□□□□□□□(□1)
15	45465-107-000	2		FLAT HEAD SCREW	4*9	□□□□□□□□



□□□ □□116-29

□□□ ELECTRICAL EQUIPMENT

Item	No.	Parts No.	Unit	Qty	Part Name		
1	31600-110-000		1	1	REGULATER RECTIFIER		□□□□□(□1)
2	93500-05012		1	1	PAN PHILLIPS BOLT	5*12	□□□□□□
3	35100-116-000		1	1	MAIN SWITCH ASS'Y		□□□□□□
4	35111-101-000		1	1	SWITCH CAP		□□□□□
5	92000-06018-10		1	1	HEX BOLT	6*18	□□□□□□□(□1)
6	38301-107-00C		1	1	FLASHER RELAY	□□ 12V	□□□□□□(□□□)
7	90669-101-00A		3	3	ZIP TIE	4.8*250m/m	□□□□(L=4.8*250mm)
8	93500-06012		1	1	PAN PHILLIPS BOLT	6*12	□□□□□□
9	38110-101-001		1	1	HORN (E-MARK)	12V NO0037	□□(E-MARK)
10	94111-0612015		1	1	SPRING WASHER	6*12*1.5	□□□□
11	94050-06000		1	1	HEX FLANGE NUT WITH SERRATION	6mm	□□□□□□
12	35010-116-001		1	1	KEY SET		□□□□□



□□□ □□116-30

□□□□ ELECTRICAL EQUIPMENT

Item	No.	Parts No.	Unit	Qty	Part Name		
1	30410-116-00C		1	1	C.D.I UNIT	5900RPM	□□□□(JET-50)□□□
2	93000-06015		1	1	ROUND PHILLIPS BOLT	6*15	□□□□□□□
3	30510-110-000		1	1	HIGH TENSION COIL	L=300	□□□□
4	30510-116-000		1	1	HIGH TENSION COIL		□□□□(L=200)(□1)
5	93500-06020		2	2	PAN PHILLIPS BOLT	6*20	□□□□□□
6	90669-101-000		7	7	STRAP	4.8*200 m/m	□□□□(4.8*200)
7	30700-101-001		1	1	SPARK PLUG CAP	10KΩ	□□□□□-□
8	30605-116-000		1	1	RUBBER CAP		□□□□□□
9	31500-116-000		1	1	BATTERY	12V	□□ YTX4L-BS
10	32100-116-00B		1	1	MAIN WIRE HARNESS		□□□(□CAT□□)
11	98200-106-000		1	1	FUSE	7A	□□□
12	93000-05012		4	4	ROUND PHILLIPS BOLT	5*12	□□□□□□□
13	35410-116-000		1	1	OIL LEVEL GAUGE		□□□□□
14	38501-105-001		1	1	STARTING RELAY		□□□□(□□)
15	37800-116-000		1	1	PETROL GAUGE ASS'Y		□□□□□(□1)
16	37801-101-000		1	1	FUEL LEVER GAUGE GASKET		□□□□□□□□