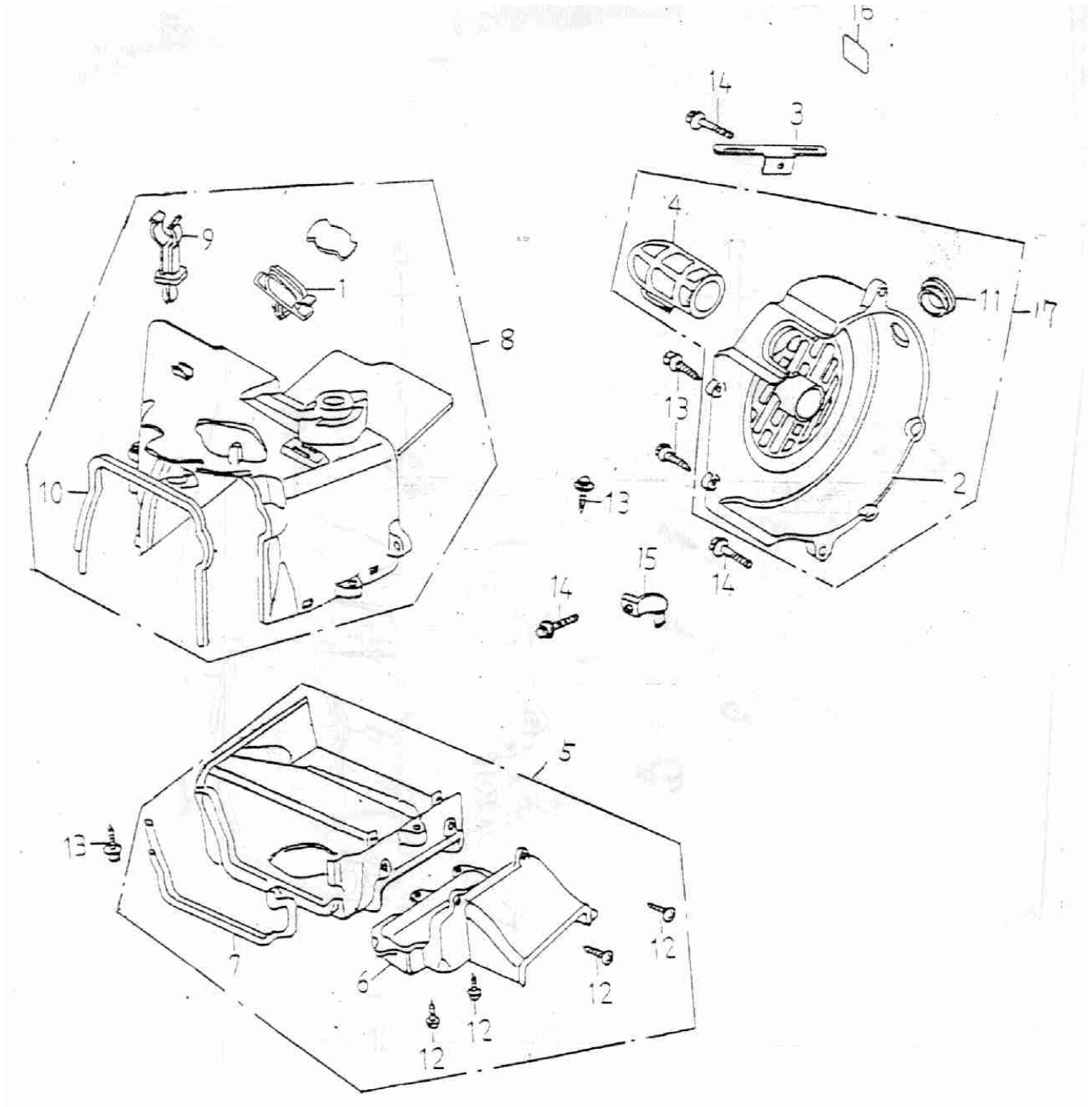
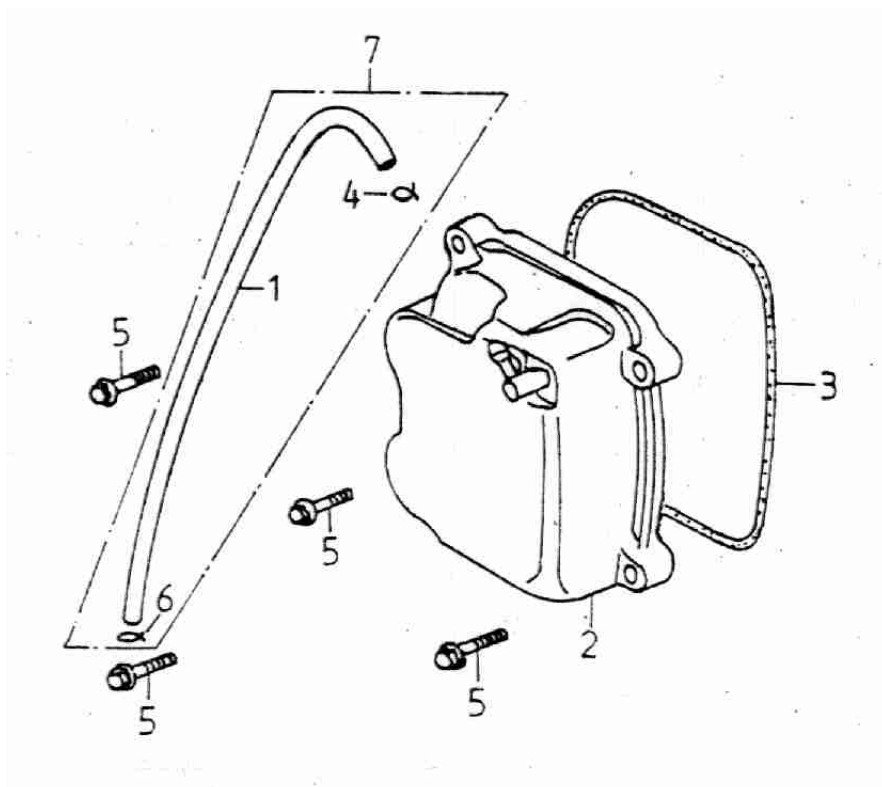




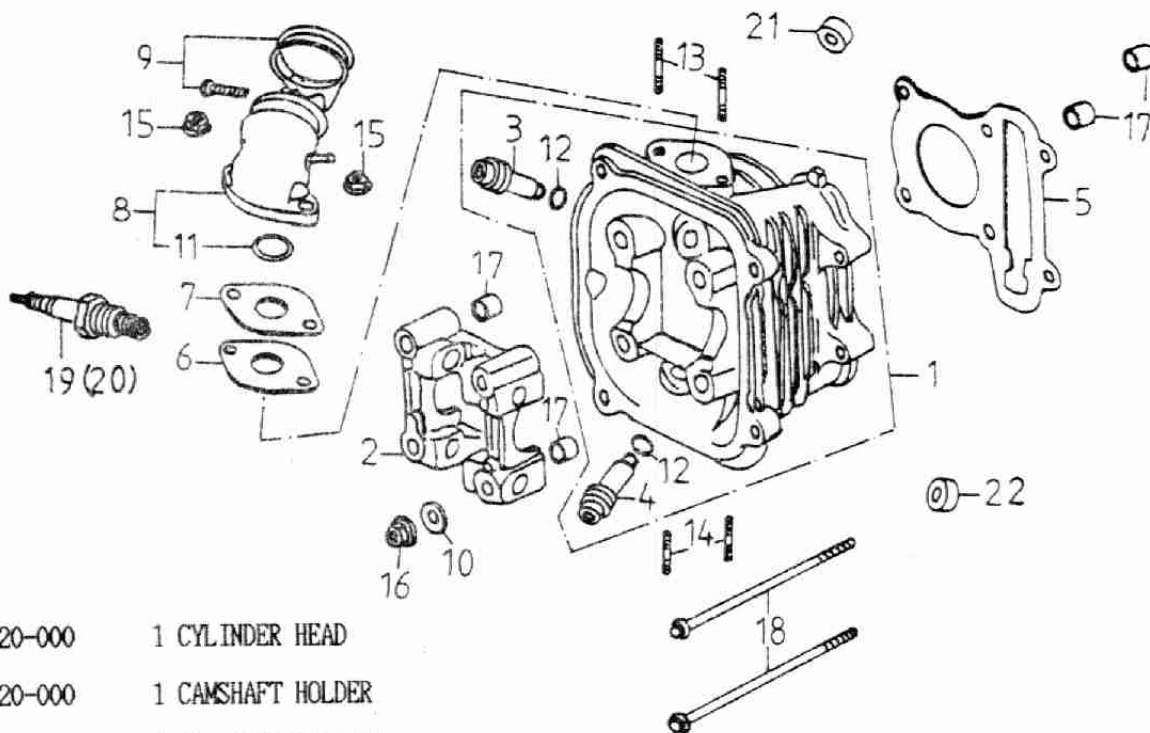
ERING



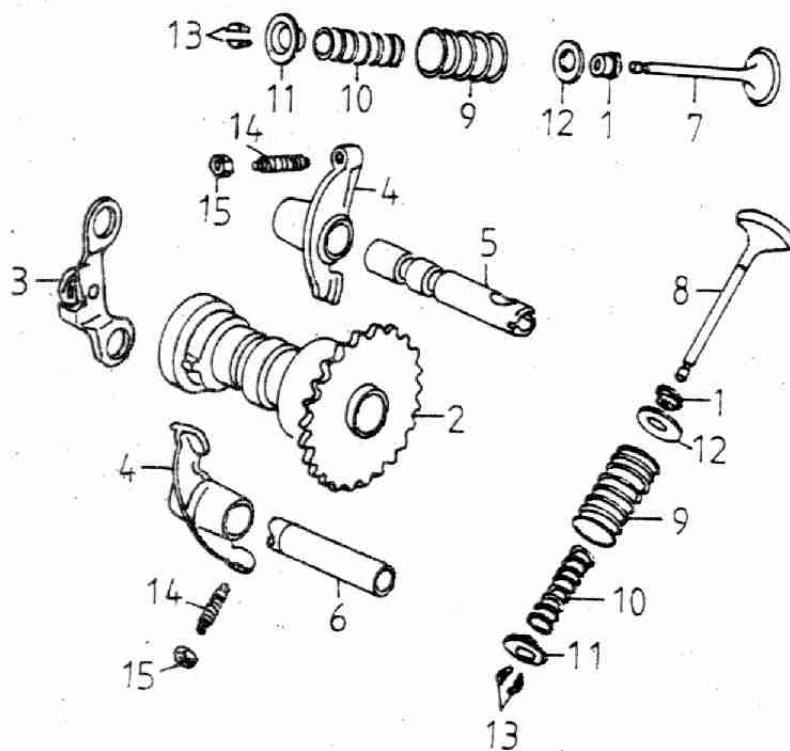
| | | |
|----|----------------|--------------------------------|
| 1 | 11384-120-000 | 1 BREATHER TUBE CLAMPER |
| 2 | 19610-120-000 | 1 GENERATOR COVER |
| 3 | 19613-120-000 | 1 STARTER CABLE CLAMPER |
| 4 | 19615-120-000 | 1 CARBURETOR COOLING DUCT |
| 5 | 19626-120-000 | 1 SHROUD A ASS'Y |
| 6 | 19622-120-000 | 1 DUCT SHROUD |
| 7 | 19625-120-000 | 1 SHROUD A SEAL |
| 8 | 19624-120-000 | 1 SHROUD B ASS'Y |
| 9 | 19632-120-000 | 1 HIGH TENSION COIL CLIP |
| 10 | 19635-120-000 | 1 SHROUD B SEAL |
| 11 | 17529-120-000 | 1 RUBBER BUNG |
| 12 | 93904-05012 | 5 HEX TRUSS HEAD TAPPING SCREW |
| 13 | 93904-05016 | 4 HEX TRUSS HEAD TAPPING SCREW |
| 14 | 96000-06025-08 | 3 HEX WASHER FACE BOLT |
| 15 | 11351-120-000 | 1 CLAMPER CARB,DRAIN TUBE |
| 16 | 87541-120-000 | 1 OIL CAPACITY LABEL |
| 17 | 19611-120-000 | 1 GENERATOR COVER ASS'Y |



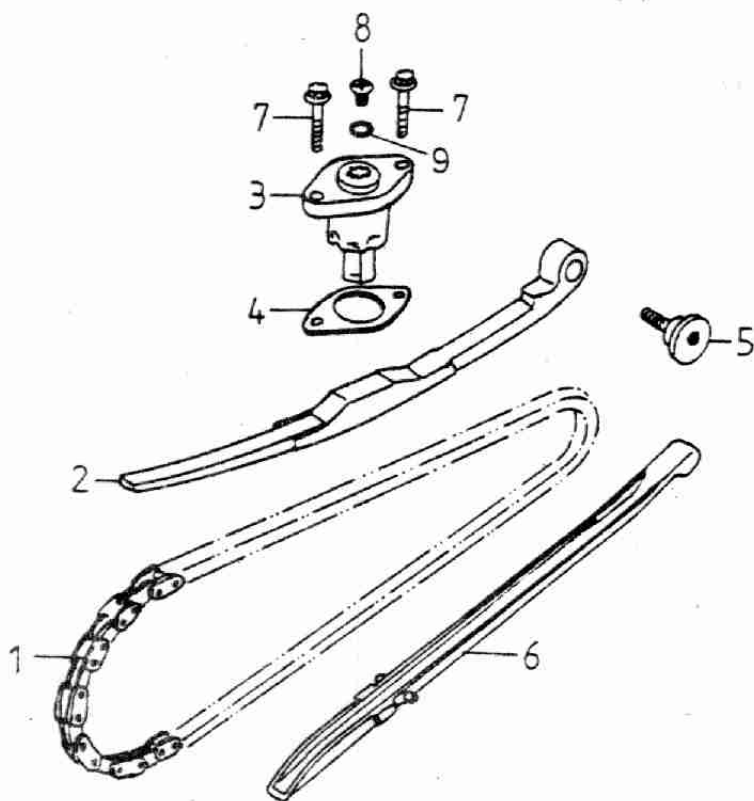
| | | |
|---|----------------|-----------------------------|
| 1 | 11211-120-000 | 1 BREATHER TUBE |
| 2 | 12310-120-000 | 1 CYLINDER HEAD COVER ASS'Y |
| 3 | 12391-120-000 | 1 HEAD COVER GASKET |
| 4 | 94510-09000 | 1 CLIP |
| 5 | 96000-06025-08 | 4 HEX WASHER FACE BOLT |
| 6 | 94510-12000 | 1 CLIP |
| 7 | 11210-120-000 | 1 BREATHER TUBE ASS'Y |



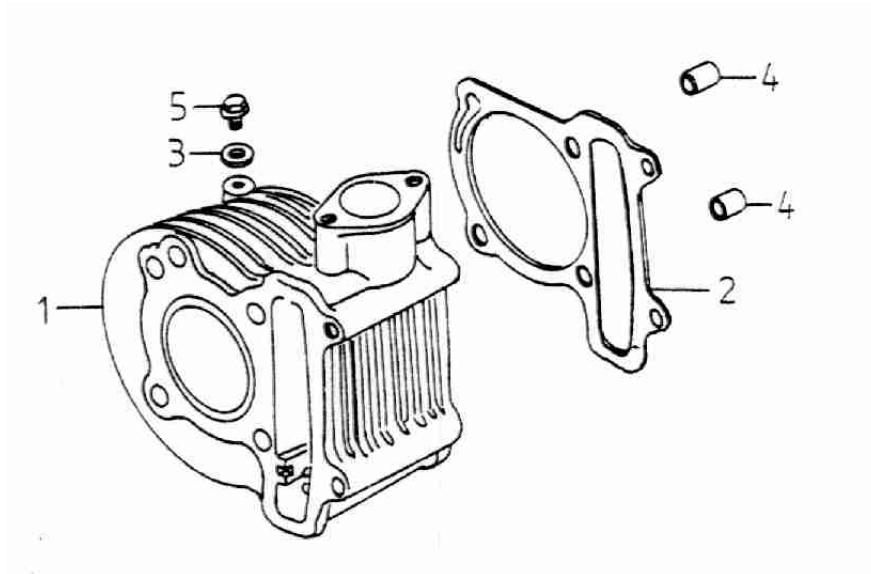
| | | |
|----|----------------|---------------------------------|
| 1 | 12201-120-000 | 1 CYLINDER HEAD |
| 2 | 12211-120-000 | 1 CAMSHAFT HOLDER |
| 3 | 12204-120-000 | 1 IN. GUIDE VALVE |
| 4 | 12206-120-000 | 1 EX. GUIDE VALVE |
| 5 | 12251-120-000 | 1 CYLINDER HEAD GASKET |
| 6 | 16229-120-000 | 1 CARBURETOR INSULATOR GASKET |
| 7 | 16213-120-000 | 1 CARBURETOR INSULATOR |
| 8 | 17100-120-000 | 1 INAKE MAINFOLD |
| 9 | 14111-120-000 | 1 BAND INSULATOR |
| 10 | 94101-0818023 | 4 COPPER PLAIN WASHER |
| 11 | 91327-120-000 | 1 OIL-RING |
| 12 | 91309-120-00A | 1 OIL-RING |
| 13 | 91001-06028 | 2 STUD BOLT |
| 14 | 91001-06062 | 2 STUD BOLT |
| 15 | 94050-06000 | 2 HEX FLANGE NUT WITH SERRATION |
| 16 | 94050-08000 | 4 HEX FLANGE NUT WITH SERRATION |
| 17 | 94301-10160 | 4 DOWEL PIN |
| 18 | 96000-06100-08 | 2 HEX WASHER FACE BOLT |
| 19 | 98076-120-000 | 1 SPARK PLUG |
| 20 | 98076-120-00A | 1 ANTI-RESISTANCE SPARK PLUG |
| 21 | 12225-120-000 | 1 INTAKE VALVE SET |
| 22 | 12226-120-000 | 1 EXHAUST VALVE SET |



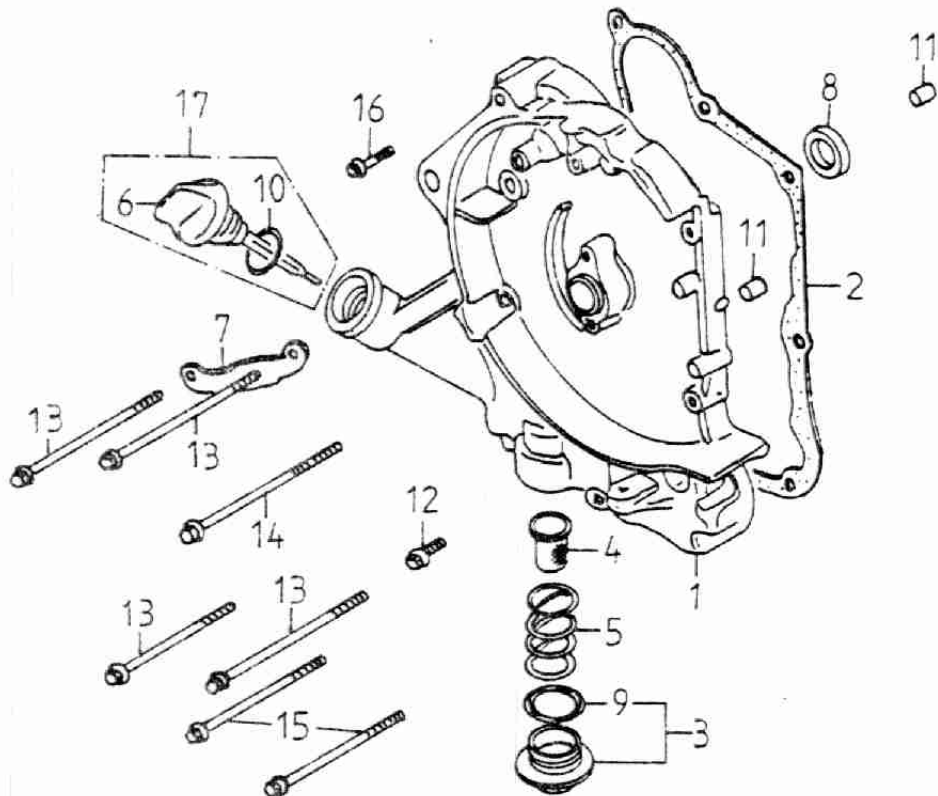
| | | | |
|----|---------------|---|---------------------------|
| 1 | 12209-120-000 | 2 | VALVE STEM SEAL |
| 2 | 14400-120-000 | 1 | CAMSHAFT COMP |
| 3 | 14456-120-000 | 1 | PLATE COMP STOPPER |
| 4 | 14431-120-000 | 2 | ARM VALVE ROCKER |
| 5 | 14452-120-000 | 1 | SHAFT COMP IN. ROCKER ARM |
| 6 | 14453-120-000 | 1 | SHAFT EX. ROCKER ARM |
| 7 | 14711-120-000 | 1 | IN. VALVE |
| 8 | 14721-120-000 | 1 | EX. VALVE |
| 9 | 14751-120-000 | 2 | VALVE OUTER SPRING |
| 10 | 14761-120-000 | 2 | VALVE INNER SPRING |
| 11 | 14771-120-000 | 2 | VALVE SPRING RETAINER |
| 12 | 14775-120-000 | 2 | SEAT VALVE SPRING OUTER |
| 13 | 14781-120-000 | 4 | COTTER VALVE |
| 14 | 90012-120-000 | 2 | SCREW TAPPET ADJUSTING |
| 15 | 90206-120-000 | 2 | NUT TAPPET ADJUSTING |



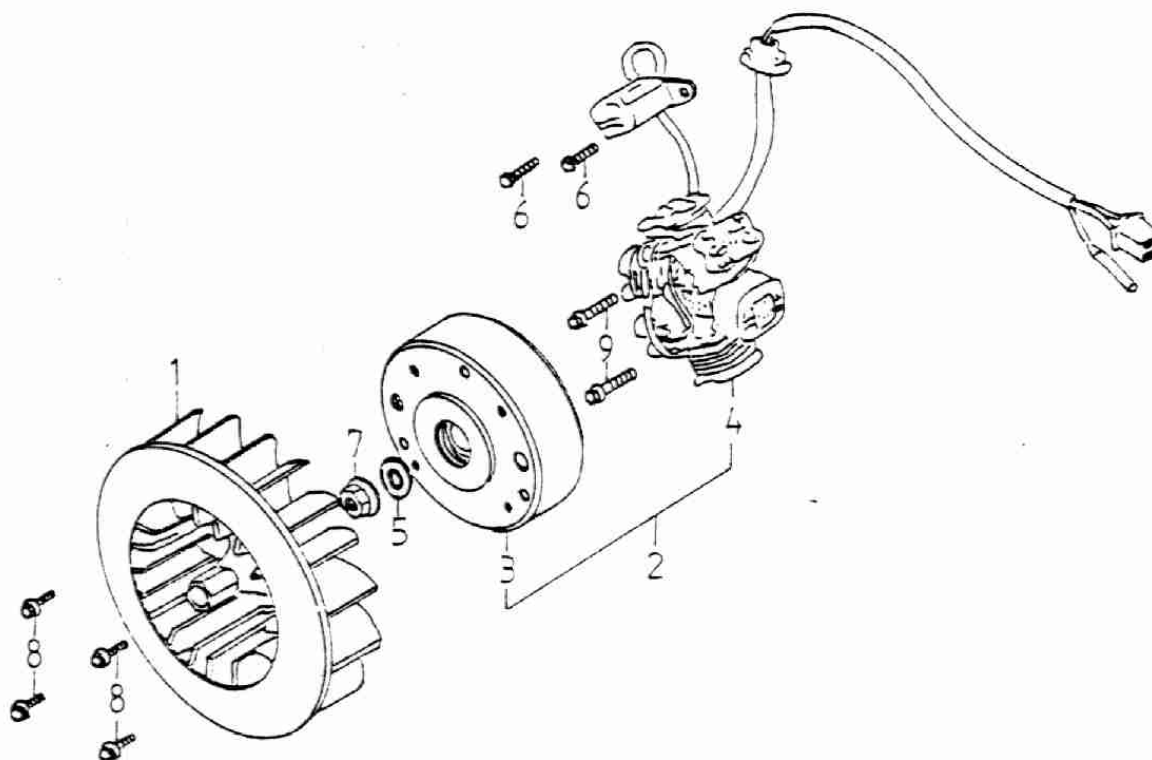
| | | |
|---|----------------|-----------------------------|
| 1 | 14401-120-000 | 1 CHAIN CAM |
| 2 | 14550-120-000 | 1 TENSIONER CAM CHAIN |
| 3 | 14521-120-000 | 1 LIFTER ASS'Y TENSIONER |
| 4 | 14523-120-000 | 1 GASKET TENSIONER LIFTER |
| 5 | 14535-120-000 | 1 PIVOT CAM CHAIN TENSIONER |
| 6 | 14500-120-000 | 1 GUIDE COMP CAM CHAIN |
| 7 | 96000-06022-08 | 2 HEX WASHER FACE BOLT |
| 8 | 93000-06006 | 1 ROUND PHILLIPS BOLT |
| 9 | 91309-120-000 | 1 OIL-RING |



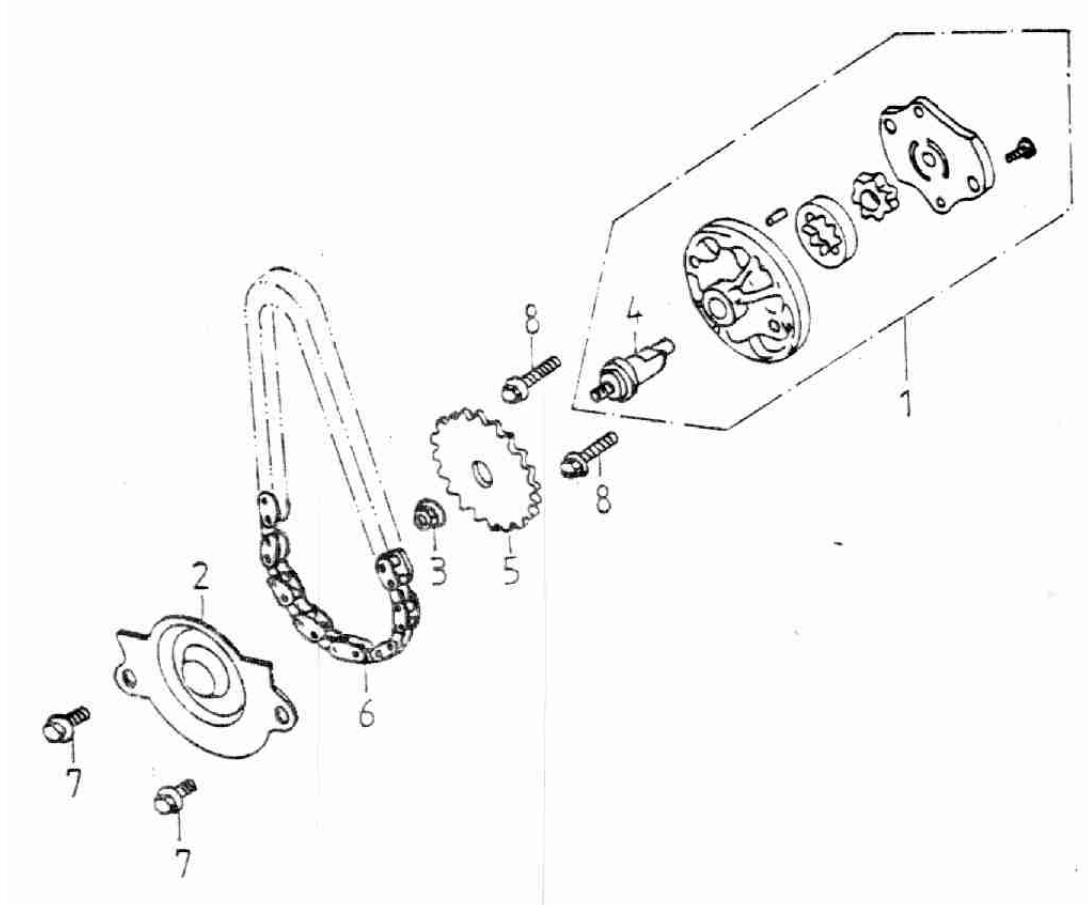
| | | |
|---|----------------|------------------------|
| 1 | 12101-120-000 | 1 CYLINDER |
| 2 | 12191-120-000 | 1 CYLINDER GASKET |
| 3 | 94101-0612010 | 1 COPPER PLAIN WASHER |
| 4 | 94301-10160 | 2 DOWEL PIN |
| 5 | 96000-06012-10 | 1 HEX WASHER FACE BOLT |



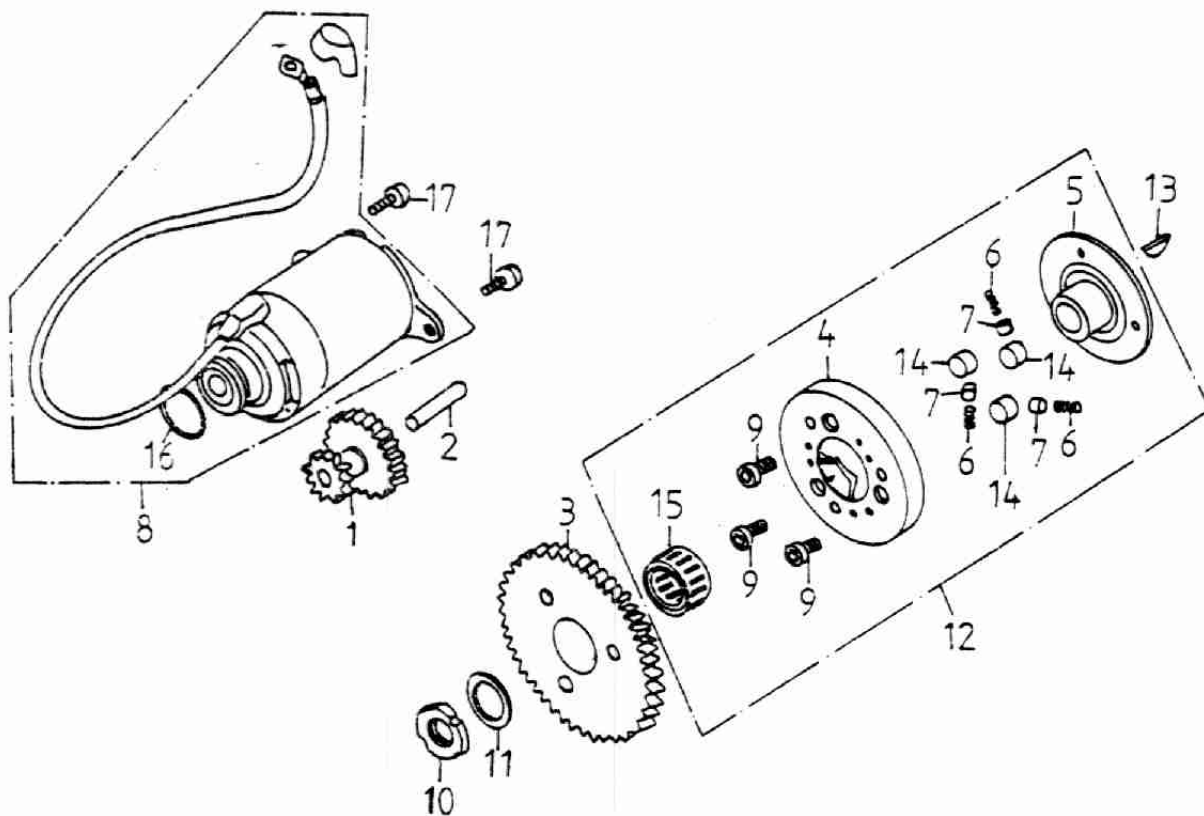
| | | |
|----|----------------|-----------------------------------|
| 1 | 11330-121-000 | 1 RIGHT CRANKCASE COVER |
| 2 | 11393-120-000 | 1 GASKET R. CRANKCASE COVER |
| 3 | 12361-120-000 | 1 CAP TAPPET ADJUSTING HOLE ASS'Y |
| 4 | 15421-120-000 | 1 SCREEN OIL FILTER |
| 5 | 15426-120-000 | 1 SPRING OIL FILTER SPRING |
| 6 | 15650-120-000 | 1 GAUGE OIL LEVEL |
| 7 | 32961-120-000 | 1 CLAMPER A.C.GENERATOR CORD |
| 8 | 96500-19305 | 1 OIL SEAL |
| 9 | 91330-120-000 | 1 OIL RING |
| 10 | 91318-108-000 | 1 OIL RING |
| 11 | 94301-08140 | 2 DOWEL PIN |
| 12 | 96000-06032-08 | 1 HEX WASHER FACE BOLT |
| 13 | 96000-06095-08 | 4 HEX WASHER FACE BOLT |
| 14 | 96000-06100-08 | 1 HEX WASHER FACE BOLT |
| 15 | 96000-06110-08 | 2 HEX WASHER FACE BOLT |
| 16 | 96000-06040-08 | 1 HEX WASHER FACE BOLT |
| 17 | 1565A-120-000 | 1 GAUGE ASS'Y OIL LEVEL |



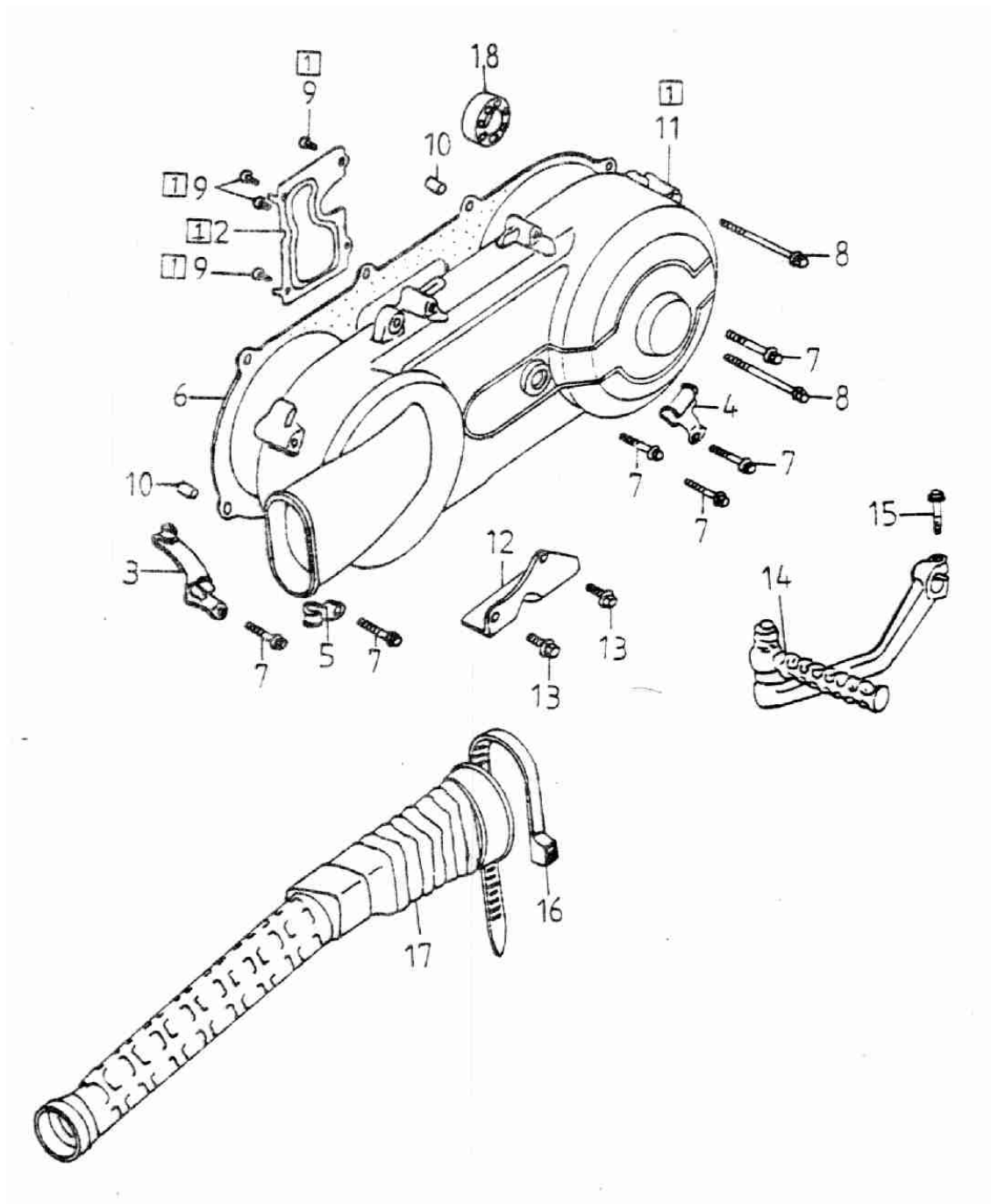
| | | |
|---|----------------|---------------------------------|
| 1 | 19510-120-000 | 1 FAN |
| 2 | 31100-120-000 | 1 GENERATOR ASS'Y |
| 3 | 31110-120-000 | 1 GENERATOR FACE FLYWHEEL |
| 4 | 31120-120-000 | 1 STATOR COMP |
| 5 | 94101-1225023 | 1 PLAIN WASHER |
| 6 | 92000-05012 | 2 HEX BOLT |
| 7 | 94050-12000 | 1 HEX FLANGE NUT WITH SERRATION |
| 8 | 96000-06018-08 | 4 HEX WASHER FACE BOLT |
| 9 | 96000-06020-08 | 2 HEX WASHER FACE BOLT |



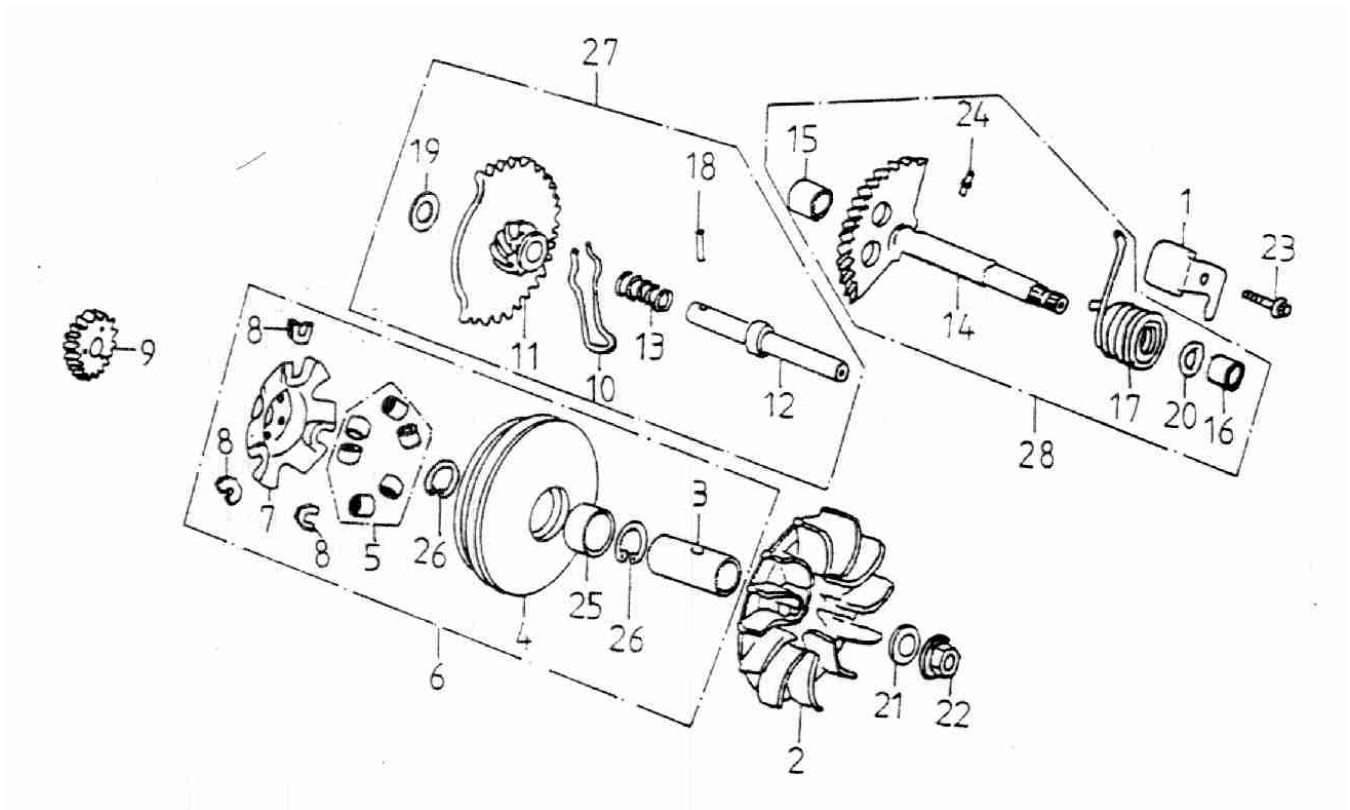
| | | |
|---|----------------|---------------------------------|
| 1 | 15100-120-000 | 1 OIL PUMP |
| 2 | 15711-120-000 | 1 SEPARATOR A OIL |
| 3 | 94050-06000 | 1 HEX FLANGE NUT WITH SERRATION |
| 4 | 15131-120-000 | 1 OIL PUMP PROIMARY AXLE |
| 5 | 15150-120-000 | 1 OIL PUMP DRIVE GEAR |
| 6 | 15141-120-000 | 1 CHAIN OIL PUMP |
| 7 | 96000-06012-08 | 2 HEX WASHER FACE BOLT |
| 8 | 96000-06025-08 | 2 HEX WASHER FACE BOLT |



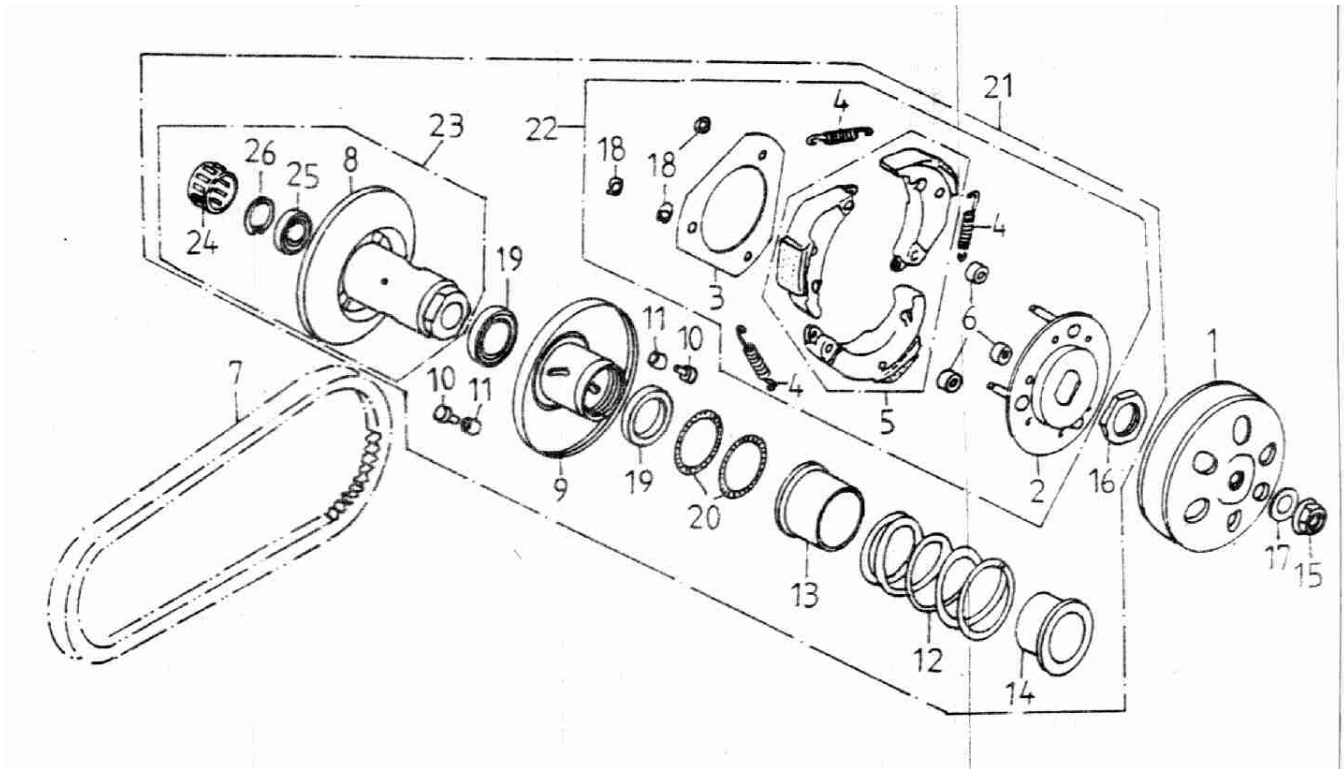
| | | |
|----|----------------|--------------------------------|
| 1 | 28422-120-000 | 1 GEAR STARTER REDUCTION |
| 2 | 96300-100460 | 1 SHAFT STARTER REDUCTION GEAR |
| 3 | 28220-120-000 | 1 GEAR COMP STARTING CLUTCH |
| 4 | 28120-120-000 | 1 CLUTCH COVER COMP |
| 5 | 28125-120-000 | 1 FLANGE STARTING CLUTCH |
| 6 | 28413-120-000 | 3 CLUTCH SPRING |
| 7 | 28412-120-000 | 3 CLUTCH GUIDER |
| 8 | 31200-120-000 | 1 STARTING MOTOR ASS'Y |
| 9 | 91000-06012 | 3 HEX SOCKET BOLT |
| 10 | 94071-22000 | 1 NUT LOCK |
| 11 | 94101-2231025 | 1 PLAIN WASHER |
| 12 | 28410-120-000 | 1 STARTER CLUTCH ASS'Y |
| 13 | 90471-101-000 | 1 SEMICYCLE KEY |
| 14 | 28411-120-000 | 3 CLUTCH ROLLER |
| 15 | 96200-283217 | 1 NEEDLE BEARING |
| 16 | 91324-120-000 | 1 OIL RIGE |
| 17 | 96000-06016-08 | 2 HEX WASHER FACE BOLT |



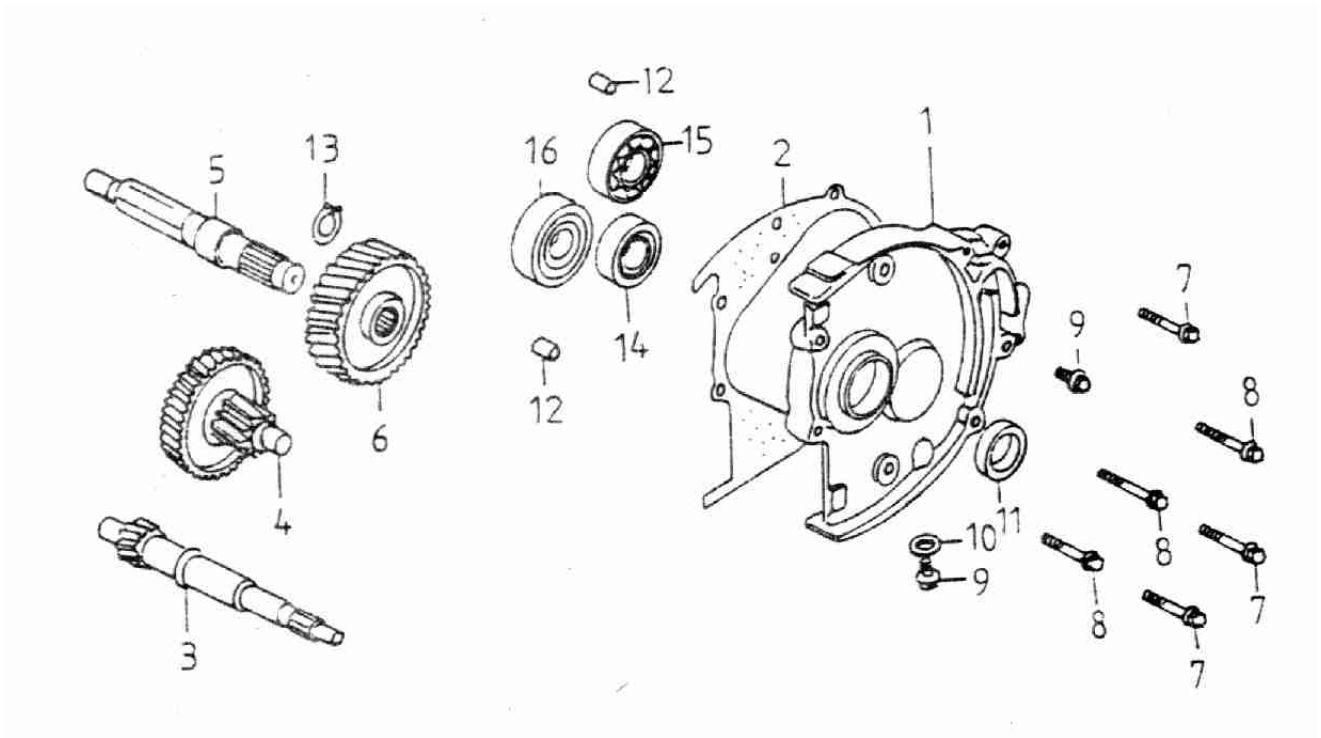
| | | |
|----|----------------|---------------------------|
| 1 | 11340-121-000 | 1 COVER COMP L |
| 2 | 11342-120-000 | 1 PLATE L COVER |
| 3 | 11381-120-000 | 1 CLAMPER THROTTLE CABLE |
| 4 | 11352-120-000 | 1 CLAMPER BRAKE CABLE |
| 5 | 11351-120-00A | 1 CLAMP |
| 6 | 11359-121-000 | 1 GASKET L COVER |
| 7 | 96000-06040-08 | 6 HEX WASHER FACE BOLT |
| 8 | 96000-06065-08 | 2 HEX WASHER FACE BOLT |
| 9 | 93905-04008 | 4 PAN PHILLIPS SCREW |
| 10 | 94301-08140 | 2 DOWEL PIN |
| 11 | 11341-121-000 | 1 COVER L |
| 12 | 50504-120-000 | 1 STAY MAIN STAND STOPPER |
| 13 | 96000-06012 | 2 HEX WASHER FACE BOLT |
| 14 | 28300-120-000 | 1 ARM ASS'Y KICK STARTER |
| 15 | 96000-06022 | 1 HEX WASHER FACE BOLT |
| 16 | 90669-101-00B | 1 RUBBER STRAP |
| 17 | 11345-120-000 | 1 DUCT L. CRANKCASE COVER |
| 18 | 96100-6200Z | 1 RADIAL BALL BEARING |



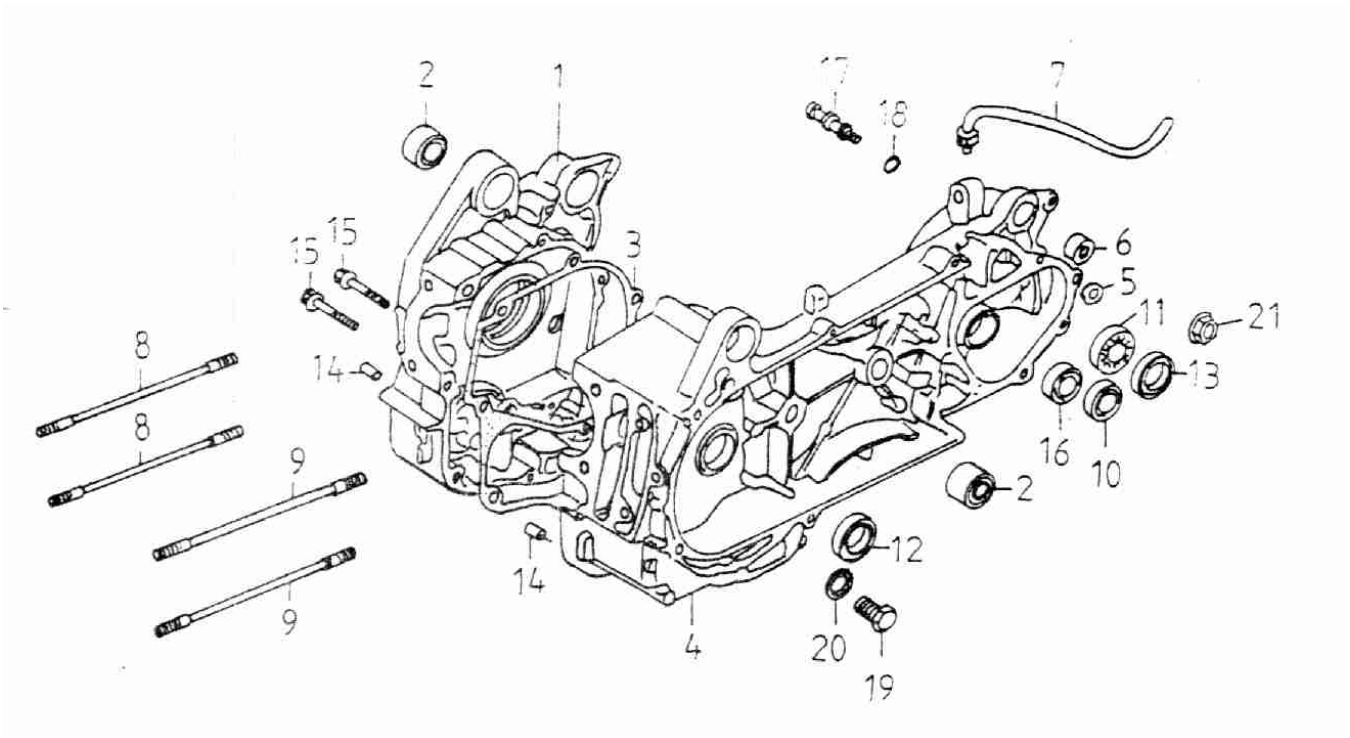
| | | |
|----|----------------|---------------------------------|
| 1 | 11207-120-000 | 1 PLATE KICK RETURN STOPPER |
| 2 | 22102-120-000 | 1 FACE DRIVE |
| 3 | 96401-152451 | 1 BOSS DRIVE FACE |
| 4 | 22110-120-000 | 1 FACE COMP MOVABLE DRIVE |
| 5 | 22121-120-000 | 6 ROLLER COMP WEIGHT |
| 6 | 22103-120-000 | 1 FACE ASS'Y MOVABLE DRIVE |
| 7 | 22131-120-000 | 1 PLATE RAMP |
| 8 | 22132-120-000 | 3 SIDE PIECE |
| 9 | 28211-120-000 | 1 GEAR KICK DRIVE |
| 10 | 28223-120-000 | 1 SPRING STARTER GEAR FRICTION |
| 11 | 28230-120-000 | 1 GEAR COMP STARTER IDLE |
| 12 | 28241-120-000 | 1 SHAFT STARTER IDLE |
| 13 | 28242-120-000 | 1 SPRING STARTER IDLE |
| 14 | 28250-120-000 | 1 STARTER SPINDLE COMP |
| 15 | 96401-121612 | 1 BUSH |
| 16 | 96401-141816 | 1 STARTER SPINDLE BUSH B |
| 17 | 28281-120-000 | 1 STARTER SPRING |
| 18 | 28282-120-000 | 1 SPECIAL PIN |
| 19 | 94101-1225023 | 1 PLAIN WASHER |
| 20 | 94101-1422012 | 1 PLAIN WASHER |
| 21 | 94101-1222015 | 1 PLAIN WASHER |
| 22 | 94050-12000 | 1 HEX FLANGE NUT WITH SERRATION |
| 23 | 96000-06014-08 | 1 HEX WASHER FACE BOLT |
| 24 | 96220-30085 | 1 ROLLER |
| 25 | 96401-242830 | 1 BUSH |
| 26 | 94512-2800R | 2 INTERNAL CIR CLIP |
| 27 | 28231-120-000 | 1 STARTER IDLE GEAR ASS'Y |
| 28 | 28251-120-000 | 1 STARTER SPINDLE ASS'Y |



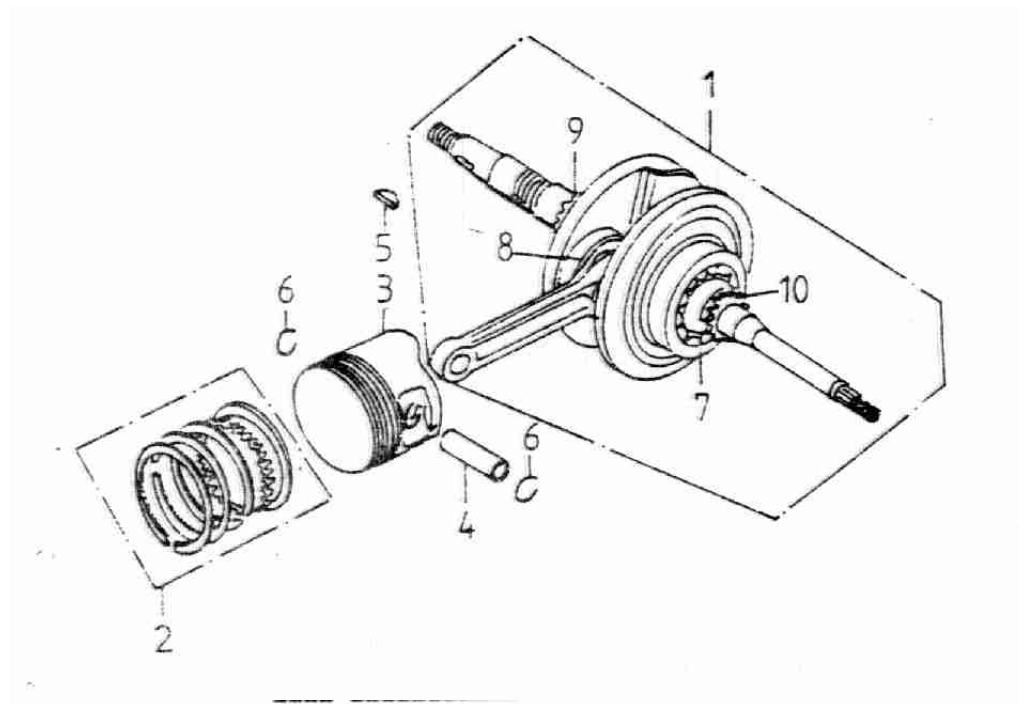
| | | |
|----|---------------|--------------------------------|
| 1 | 22100-120-000 | 1 CLUTCH COVER COMP |
| 2 | 22350-120-000 | 1 PLATE COMP DRIVE |
| 3 | 22351-120-000 | 1 PLATE CLUTCH SIDE |
| 4 | 22401-120-000 | 3 SPRING CLUTCH |
| 5 | 22535-120-000 | 3 CLUTCH WEIGHT SET |
| 6 | 22804-120-000 | 3 RUBBER CLUTCH DAMPER |
| 7 | 23100-120-000 | 1 BELT DRIVE |
| 8 | 23210-120-000 | 1 FACE ASS'Y DRIVEN |
| 9 | 23220-120-000 | 1 SECONDARY SLIDING SLOT WHEEL |
| 10 | 23225-120-000 | 3 GUIDE PIN |
| 11 | 23226-120-000 | 3 GUIDE PIN |
| 12 | 23233-120-000 | 1 COMPRESSION SPRING |
| 13 | 23237-120-000 | 1 SECONDARY SPRING SEAT |
| 14 | 23238-120-000 | 1 COLLER SPRING |
| 15 | 90201-120-000 | 1 NUT COMPRESSOR FLANGE |
| 16 | 90202-120-000 | 1 NUT SPECIAL |
| 17 | 94101-1229025 | 1 PLAIN WASHER |
| 18 | 94511-0700E | 3 EXTERNAL CIR CLIP |
| 19 | 96500-34414 | 2 OIL SEAL |
| 20 | 91336-104-000 | 2 OIL RING |
| 21 | 22000-120-000 | 1 DRIVE FACE ASS'Y (B) |
| 22 | 22001-120-000 | 1 PLATE ASS'Y DRIVE |
| 23 | 23200-120-000 | 1 SECONDARY FIX SLOT WHEEL |
| 24 | 96200-202918 | 1 NEEDLE BEARING |
| 25 | 96100-6902U | 1 RADIAL BALL BEARING |
| 26 | 94512-280IR | 1 INTERNAL CIR CLIP |



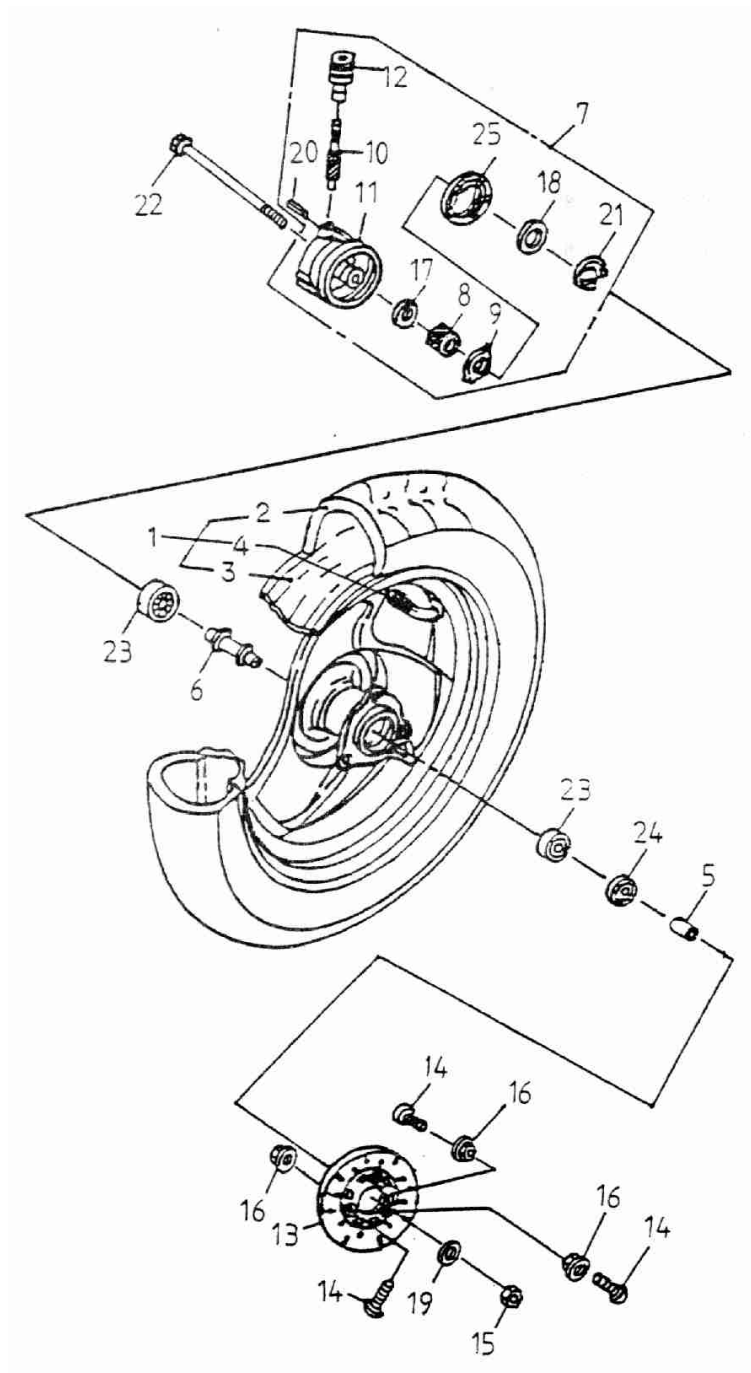
| | | |
|----|----------------|------------------------|
| 1 | 21301-121-000 | 1 MISSION COVER |
| 2 | 21395-121-000 | 1 MISSION COVER GASKET |
| 3 | 23411-121-000 | 1 SHAFT,DRIVE |
| 4 | 23420-121-000 | 1 MAIN AXLE COMP |
| 5 | 23431-120-000 | 1 SHAFT, FINAL |
| 6 | 23432-121-000 | 1 GEAR FINAL |
| 7 | 96000-06028-08 | 3 HEX WASHER FACE BOLT |
| 8 | 96000-06035-08 | 3 HEX WASHER FACE BOLT |
| 9 | 96000-08012-10 | 2 HEX WASHER FACE BOLT |
| 10 | 94101-0816020 | 2 PLAIN WASHER |
| 11 | 96500-20326 | 1 OIL SEAL |
| 12 | 94301-08140 | 2 DOWEL PIN |
| 13 | 94511-2000S | 1 EXTERNAL CIR CLIP |
| 14 | 96100-62020 | 1 RADIAL BALL BEARING |
| 15 | 96100-62030 | 1 RADIAL BALL BEARING |
| 16 | 96100-62040 | 1 RADIAL BALL BEARING |



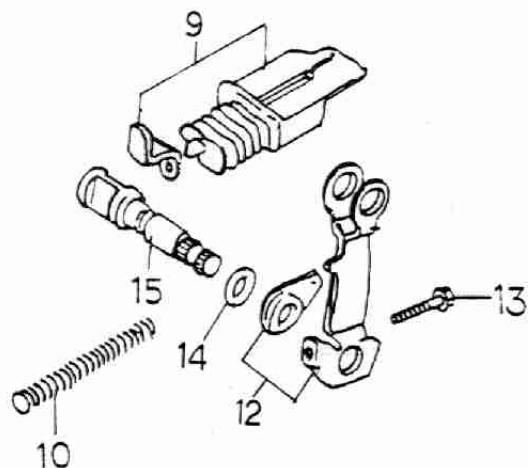
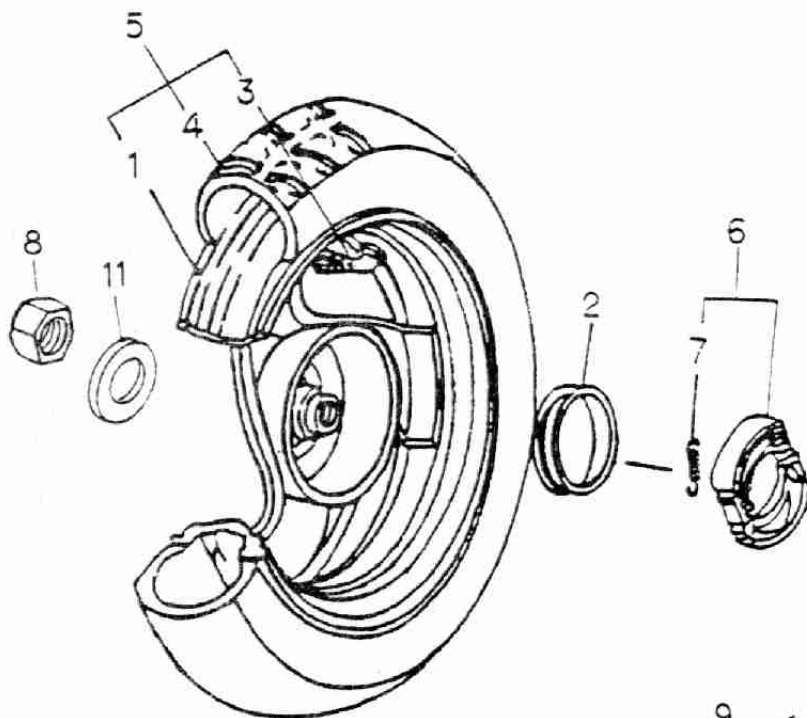
| | | |
|----|----------------|---------------------------------|
| 1 | 11101-121-000 | 1 RIGHT CRANKCASE |
| 2 | 96400-102820 | 2 BUSH ENGINE HANGER RUBBER |
| 3 | 11191-120-000 | 1 GASKET CRANKCASE |
| 4 | 11201-121-000 | 1 LEFT CRANKCASE |
| 5 | 94101-0815015 | 1 PLAIN WASHER |
| 6 | 96400-082020 | 1 RUBBER BUSHING |
| 7 | 16615-120-000 | 1 TUBE BREATHER |
| 8 | 91001-08181 | 2 STUD BOLT |
| 9 | 91001-08187 | 2 STUD BOLT |
| 10 | 96100-TMB301 | 1 RADIAL BALL BEARING |
| 11 | 96100-6004U | 1 RADIAL BALL BEARING |
| 12 | 96500-19305 | 1 OIL SEAL |
| 13 | 96500-27427 | 1 OIL SEAL |
| 14 | 94301-08140 | 2 DOWEL PIN |
| 15 | 96000-06050 | 2 HEX WASHER FACE BOLT |
| 16 | 96100-60020 | 1 RADIAL BALL BEARING |
| 17 | 45110-120-000 | 1 PIN BRAKE SHOE ANCHOR |
| 18 | 91307-101-000 | 1 OIL RING |
| 19 | 96000-12015-14 | 1 HEX WASHER FACE BOLT |
| 20 | 94101-1221320 | 1 PLAIN WASHER |
| 21 | 94050-08000 | 1 HEX FLANGE NUT WITH SERRATION |



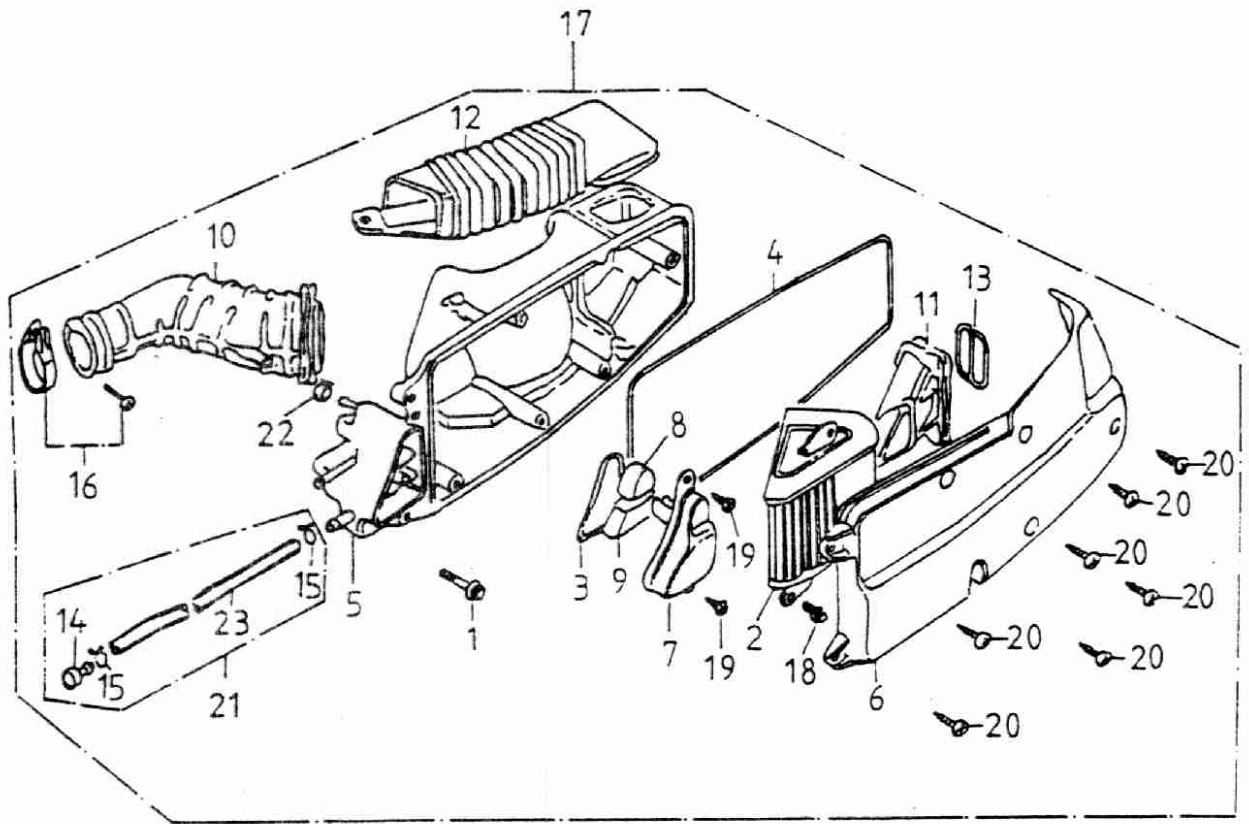
| | | |
|----|---------------|-------------------------|
| 1 | 13000-120-000 | 1 CRANKSHAFT ASS'Y |
| 2 | 13011-120-000 | 1 PISTON RING SET |
| 3 | 13100-120-000 | 1 PISTON |
| 4 | 13111-120-000 | 1 PISTON PIN |
| 5 | 90471-101-000 | 1 SEMICYCLE KEY |
| 6 | 13115-120-000 | 2 CLIP PISTON PIN |
| 7 | TMSC04A86CS12 | 2 BEARING |
| 8 | 96200-283313 | 1 NEDDLE BEARING |
| 9 | 14311-120-000 | 1 TIMING GEAR |
| 10 | 14322-120-000 | 1 CAM TRANSMISSION GEAR |



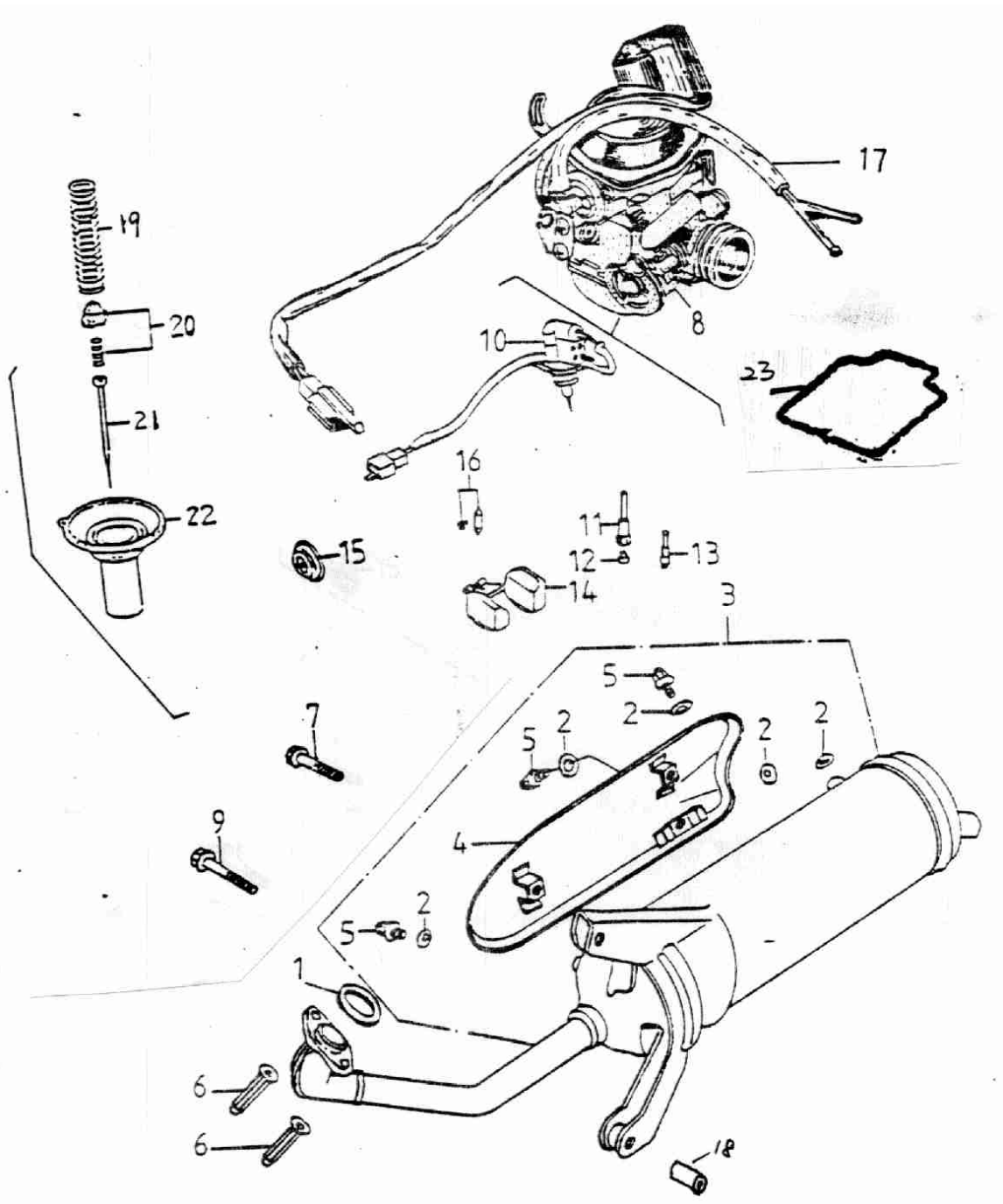
| | | |
|----|----------------|-----------------------------------|
| 1 | 42700-125-00A | 1 FRONT WHEEL SET |
| 2 | 42711-121-000 | 1 FRONT/REAR TIRE |
| 3 | 42701-125-00A | 1 FRONT RIM-12" SPCC |
| 4 | 42616-104-000 | 1 AIR NOZZLE |
| 5 | 44311-125-000 | 1 FRONT COLLAR |
| 6 | 44620-125-00A | 1 FRONT SPACER TUBE (SPCC RIM) |
| 7 | 44806-110-000 | 1 SPEEDOMETER GEAR ASS'Y |
| 8 | 44811-110-000 | 1 SPEEDOMETER MAIN GEAR |
| 9 | 44812-107-000 | 1 SPEEDOMETER GEAR BRACKET |
| 10 | 44813-107-000 | 1 SPEEDOMETER SECONDARY GEAR |
| 11 | 44816-107-000 | 1 SPEEDOMETER GEAR EXTERNAL COVER |
| 12 | 44818-107-000 | 1 SPEEDOMETER GEAR COPPER HEAD |
| 13 | 45015-119-000 | 1 FRONT BRAKE DISC |
| 14 | 45016-107-000 | 3 BRAKE DISC HEX SOCKET BOLT |
| 15 | 90350-10000 | 1 NUT NYLON |
| 16 | 94050-10000 | 3 HEX FLANGE NUT WITH SERRATION |
| 17 | 94101-1622010 | 1 PLAIN WASHER |
| 18 | 94101-1628010 | 1 PLAIN WASHER |
| 19 | 94101-1022015 | 1 PLAIN WASHER |
| 20 | 94305-20140 | 1 SPLIT SPRING PIN |
| 21 | 94511-1600S | 1 EXTERNAL CIR CLIP |
| 22 | 96000-10225-14 | 1 HEX WASHER FACE BOLT |
| 23 | 96100-6300Z | 2 RADIAL BALL BEARING |
| 24 | 96500-17357 | 1 OIL SEAL |
| 25 | 96500-40526 | 1 OIL SEAL |



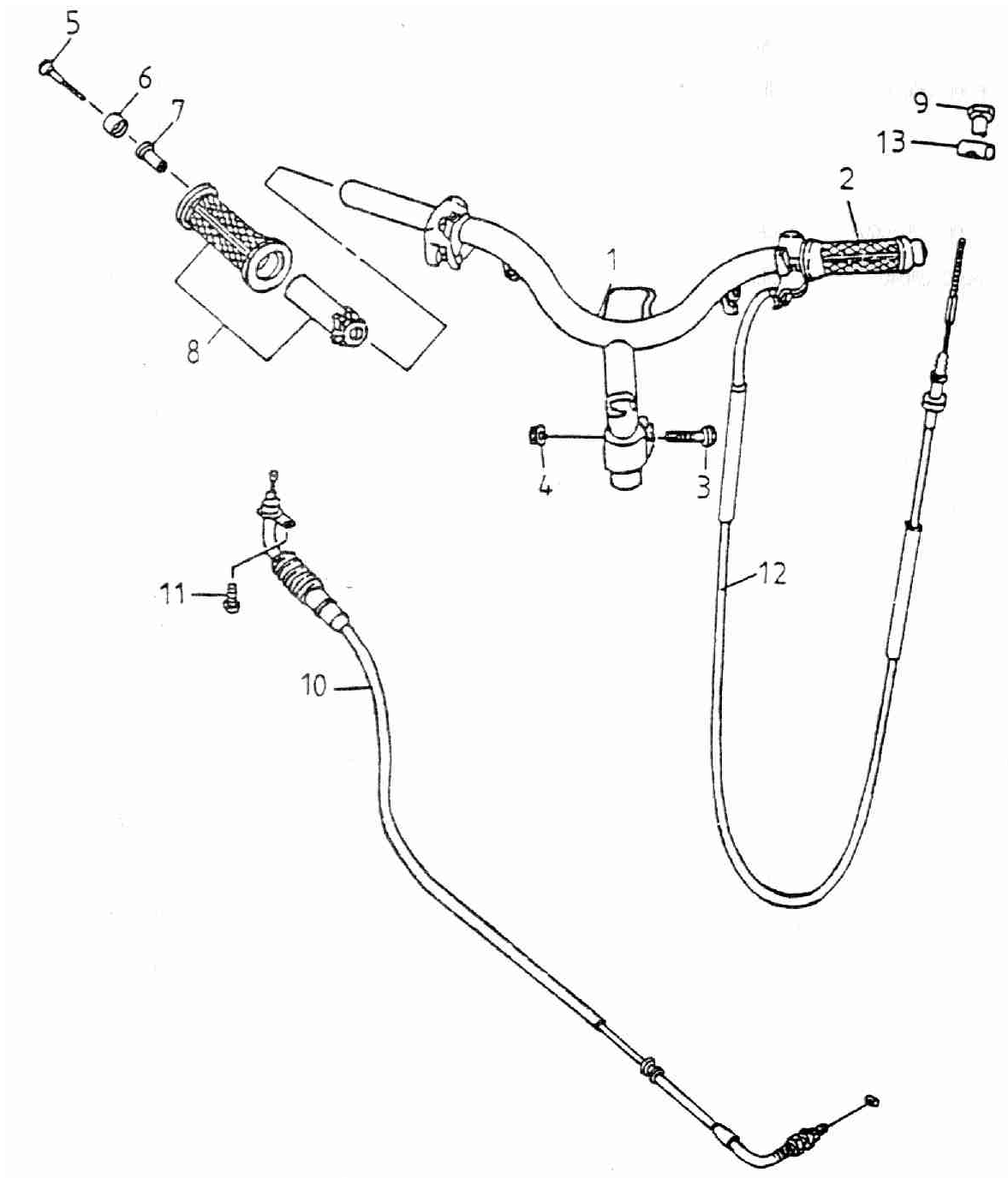
| | | |
|----|----------------|-------------------------|
| 1 | 42801-121-000 | 1 REAR RIM |
| 2 | 42611-104-000 | 1 RING#2 (REAR WHEEL) |
| 3 | 42616-104-000 | 1 AIR NOZZLE |
| 4 | 42711-121-000 | 1 FRONT/REAR TIRE |
| 5 | 42812-121-000 | 1 REAR TIRE SET |
| 6 | 43120-101-001 | 1 REAR BRAKE SHOE ASS'Y |
| 7 | 43133-120-000 | 2 SPRING BRAKE SHOE |
| 8 | 90350-16000 | 1 NUT NYLON |
| 9 | 43415-120-000 | 1 COVER RR. BRAKE ARM |
| 10 | 43472-121-000 | 1 RESET SPRING |
| 11 | 94101-1725030 | 1 PLAIN WASHER |
| 12 | 43410-120-000 | 1 REAR BRAKE ARM |
| 13 | 96000-06032-10 | 1 HEX WASHER FACE BOLT |
| 14 | 91311-120-000 | 1 OIL-RING |
| 15 | 43141-120-000 | 1 REAR BRAKE CAM SHAFT |



| | | |
|----|----------------|-------------------------------------|
| 1 | 96000-06028-08 | 2 HEX WASHER FACE BOLT |
| 2 | 17205-120-000 | 1 AIR CLEANER ELEMENT |
| 3 | 17212-120-000 | 1 SEAL OIL CATCH |
| 4 | 17212-120-00A | 1 SEAL OIL CLEANER COVER |
| 5 | 17206-120-000 | 1 AIR CLEANER CASE |
| 6 | 17207-120-000 | 1 CLEANER CASE CAP |
| 7 | 17232-120-000 | 1 COVER OIL CATCH |
| 8 | 17234-120-000 | 1 FILTER BREATHER |
| 9 | 17235-120-000 | 1 FILTER OIL CATCH |
| 10 | 17253-120-000 | 1 AIR CLEANER JOINT |
| 11 | 17255-120-000 | 1 DUCT AIR CLEANER IN |
| 12 | 17257-120-000 | 1 DUCT AIR CLEANER CASE |
| 13 | 17258-120-000 | 1 SPRING IN DUCT |
| 14 | 17370-120-000 | 1 PLUG BREATHER TUBE |
| 15 | 94510-12000 | 2 CLIP |
| 16 | 14110-120-000 | 1 INTAKE MANIFOLD HOSE CLAMP |
| 17 | 17200-120-000 | 1 AIR CLEANER ASS'Y |
| 18 | 93500-05010 | 2 PAN PHILLIPS BOLT |
| 19 | 93903-04012 | 2 TAPPING SCREW TRUSS HEAD PHILLIPS |
| 20 | 93903-05020 | 7 TAPPING SCREW TRUSS HEAD PHILLIPS |
| 21 | 17360-120-000 | 1 TUBE ASS'Y DRAIN |
| 22 | 94509-09000 | 1 CLAMP TUBE |
| 23 | 94400-08012 | 1 TUBE VINYL |



| | | |
|----|----------------|--------------------------|
| 1 | 18291-101-000 | 1 EXHAUST PIPE GASKET |
| 2 | 94101-0612015 | 4 PAPER PLAIN WASHER |
| 3 | 18300-121-000 | 1 EXHAUST PIPE ASS'Y |
| 4 | 18301-121-000 | 1 PROTECTOR COMP MUFFLER |
| 5 | 96000-06010-08 | 3 HEX WASHER FACE BOLT |
| 6 | 90301-06000 | 2 NUT CAP |
| 7 | 96000-08032 | 1 HEX WASHER FACE BOLT |
| 8 | 16100-120-000 | 1 CARBURETOR ASS'Y |
| 9 | 96000-08040 | 1 HEX WASHER FACE BOLT |
| 10 | 17215-120-000 | 1 PLUNGER STARTER |
| 11 | 16105-120-000 | 1 NEEDLE NOZZLE |
| 12 | 16108-120-000 | 1 MAIN NOZZLE |
| 13 | 16110-120-000 | 1 PILOT JET |
| 14 | 16118-120-000 | 1 FLOAT |
| 15 | 16048-120-000 | 1 PLUNGER FILM |
| 16 | 16117-120-000 | 1 NEEDLE VALVE SET |
| 17 | 16139-120-000 | 1 3-WAY CONNECTOR |
| 18 | 18302-120-000 | 1 COLLAR |
| 19 | 16102-120-000 | 1 THROTTLE VALVE SPRING |
| 20 | 16037-120-000 | 1 VALVE PLATE SET |
| 21 | 16104-120-000 | 1 NEEDLE SET |
| 22 | 16103-120-000 | 1 VACUUM PISTON |
| 23 | 16106-120-000 | 1 FLOAT CHAMBER SEAL |



| | | |
|----|----------------|---------------------------------|
| 1 | 53100-125-000 | 1 HANDLE BAR |
| 2 | 53166-107-000 | 1 L.HANDLE GRIP |
| 3 | 96000-10045-14 | 1 HEX WASHER FACE BOLT |
| 4 | 94050-10000 | 1 HEX FLANGE NUT WITH SERRATION |
| 5 | 93902-06045 | 2 FLAT HEAD PHILLIPS BOLT |
| 6 | 53116-107-000 | 2 GRIP END |
| 7 | 53111-107-000 | 2 GRIP END SPACER TUBE |
| 8 | 53165-107-000 | 1 R.HANDLE GRIP COMP |
| 9 | 95015-41000 | 1 REAR BRAKE ADJUST NUT |
| 10 | 17910-127-000 | 1 THROTTLE CABLE |
| 11 | 93500-05010 | 1 PAN PHILLIPS BOLT |
| 12 | 43450-120-000 | 1 REAR BEAKE CABLE |
| 13 | 95015-31001 | 1 REAR BRAKE FIXTURE |

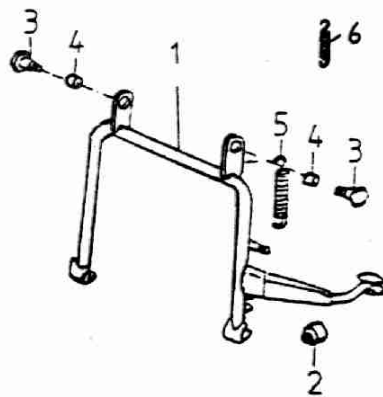
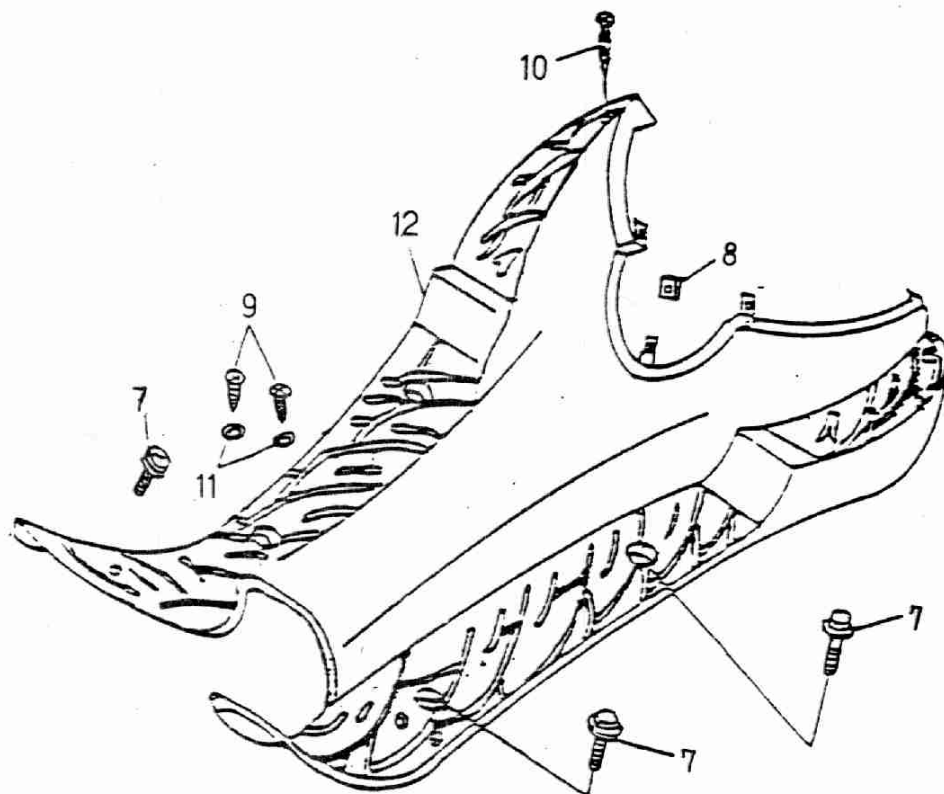
TB 125
Art. Nr.: 99336

Lenker

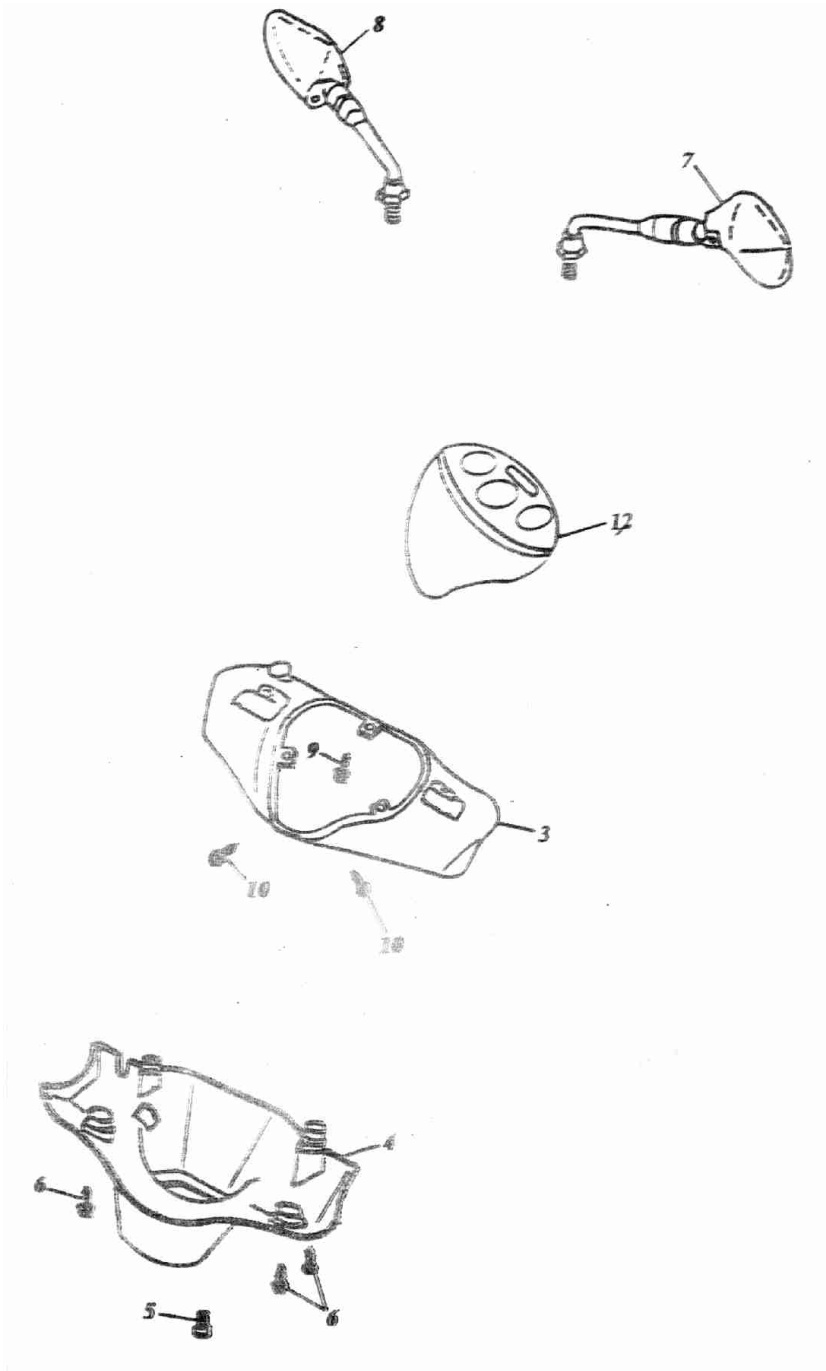

Blatt 2 von 2

ERING

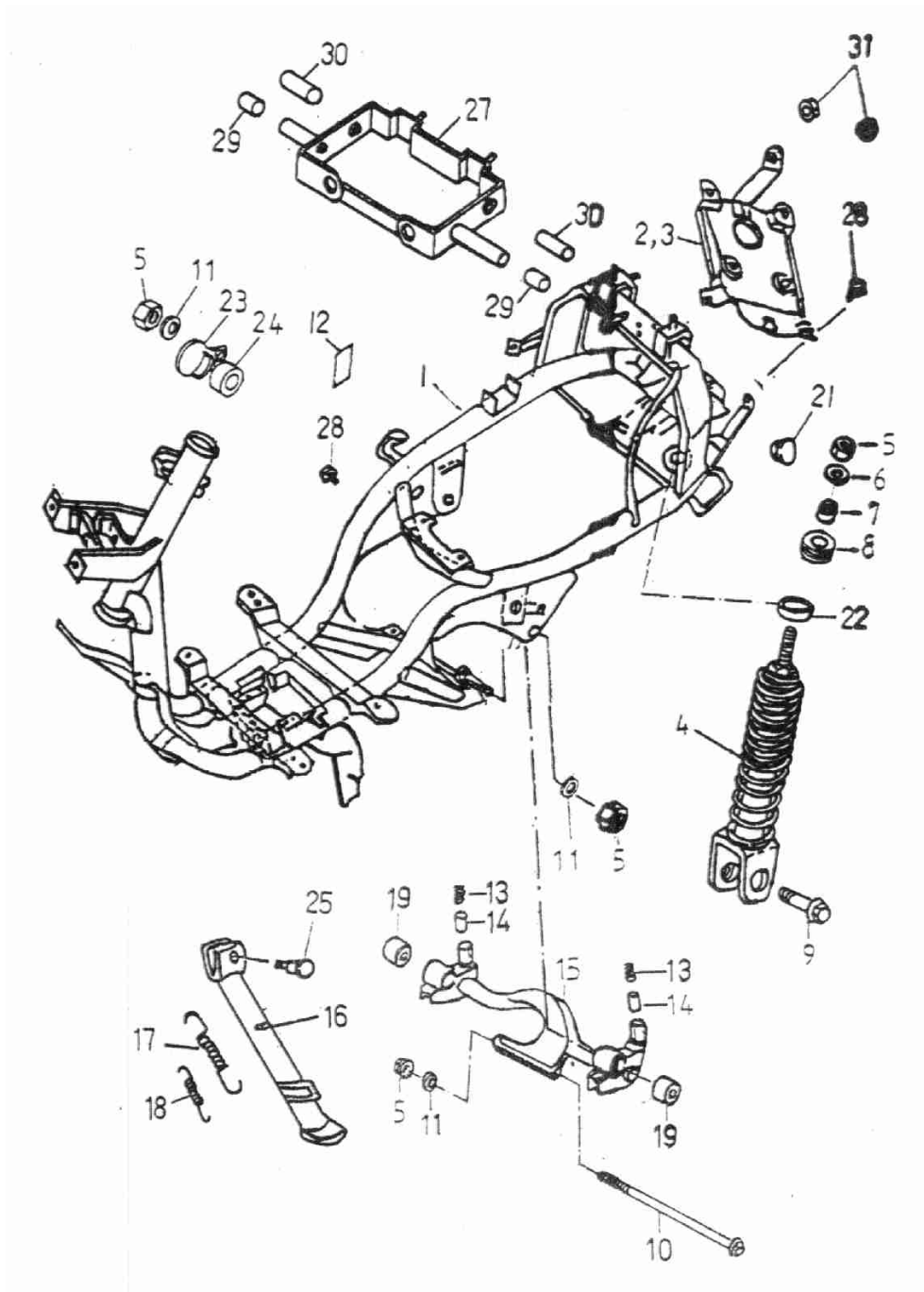
ERING



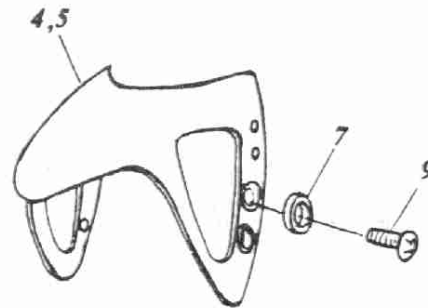
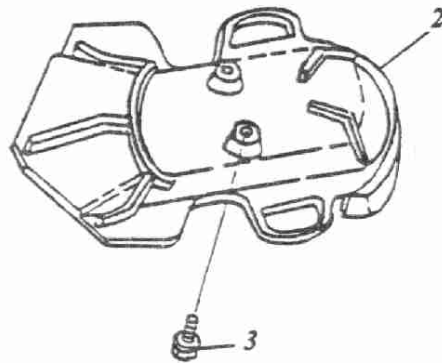
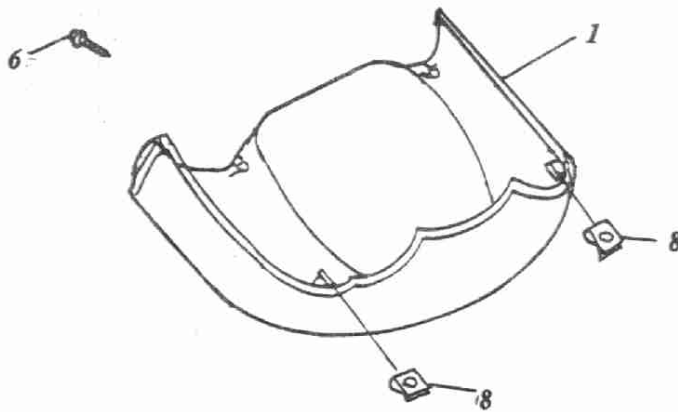
- | | | | |
|----|----------------|---|-----------------------------------|
| 1 | 50500-121-000 | 1 | MAIN STAND COMP |
| 2 | 95011-101-000 | 1 | RUBBER |
| 3 | 50501-120-000 | 2 | MAIN STAND SNUBBER RUBBER |
| 4 | 50502-120-000 | 2 | MAIN STAND BUSHING |
| 5 | 95014-79026 | 1 | MAIN STAND RESET SPRING |
| 6 | 95014-79011 | 1 | MAIN STAND RESET SMALL SPRING |
| 7 | 92000-06018-10 | 6 | HEX BOLT |
| 8 | 90344-04000 | 1 | U PLATE NUT |
| 9 | 93903-05016 | 4 | TAPPING SCREW TRUSS HEAD PHILLIPS |
| 10 | 93903-04035 | 2 | TAPPING SCREW TRUSS HEAD PHILLIPS |
| 11 | 94101-0615010 | 4 | PLAIN WASHER |
| 12 | 64310-125-000 | 1 | FLOOR PANEL |



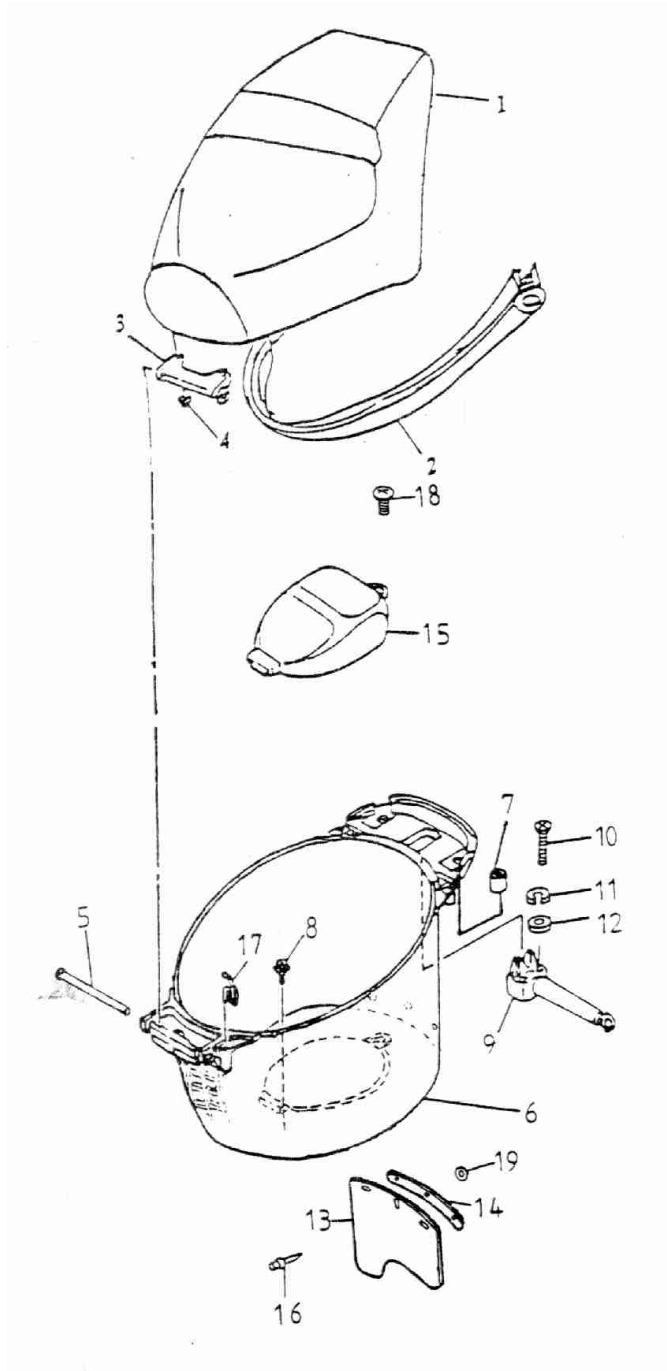
| | | |
|----|---------------|-------------------------------------|
| 1 | 64212-125-000 | 1 TRIM.SPEEDOMETER LID |
| 2 | 64212-125-00B | 1 TRIM SPRRDOMETERLID (CARBON) |
| 3 | 53211-125-000 | 1 SPEEDOMETER UP LID |
| 4 | 53205-125-000 | 1 SPEEDOMTER DOWN LID |
| 5 | 93500-05012 | 1 PAN PHILLIPS BOLT |
| 6 | 93903-05016 | 4 TAPPING SCREW TRUSS HEAD PHILLPS |
| 7 | 88110-125-000 | 1 R.BACK VIEW MIRROR |
| 8 | 88120-125-000 | 1 L.BACK VIEW MIRROR |
| 9 | 93903-04012 | 1 TAPPING SCREW TRUSS HEAD PHILLIPS |
| 10 | 93903-04016 | 2 TAPPING SCREW TRUSS HEAD PHILLIPS |



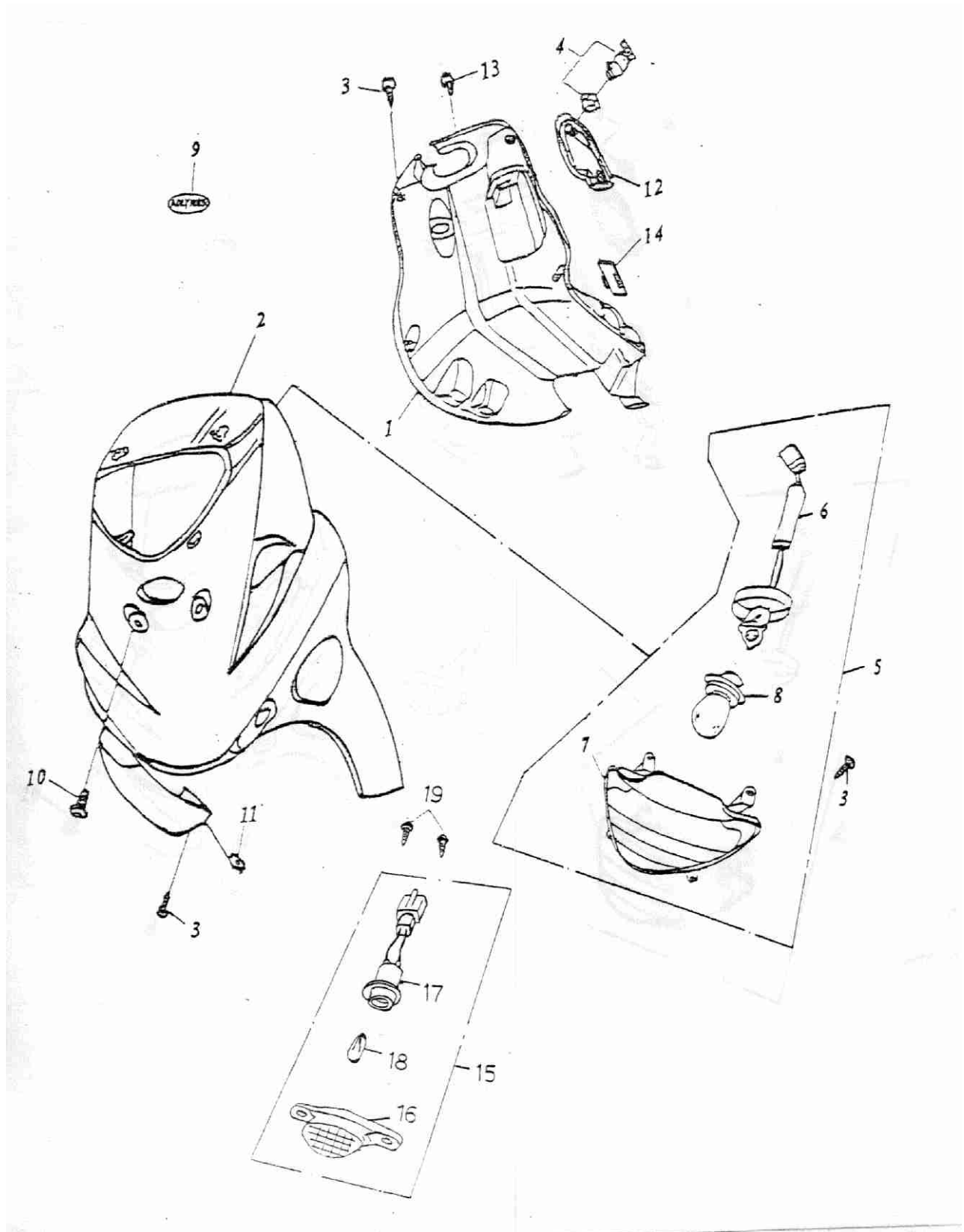
| | | |
|----|----------------|--------------------------------------|
| 1 | 50100-127-000 | 1 FRAME COMP |
| 2 | 50357-125-000 | 1 TAIL LIGHT FIX BRACKET(NO CARRIER) |
| 3 | 50357-125-00A | 1 TAIL LIGHT FIX BRACKET(CARRIER) |
| 4 | 52400-127-000 | 1 REAR CUSHION ASS'Y |
| 5 | 90350-10000 | 4 NUT NYLON |
| 6 | 94101-1032030 | 1 PLAIN WASHER |
| 7 | 52401-120-000 | 1 CUSHION SPACE TUBE |
| 8 | 52402-120-000 | 1 CUSHION GROMMET |
| 9 | 96000-08035-12 | 1 HEX WASHER FACE BOLT |
| 10 | 96000-10184-12 | 1 HEX WASHER FACE BOLT |
| 11 | 94101-1022015 | 3 PLAIN WASHER |
| 12 | 50110-127-000 | 1 ALUMINUM PLATE |
| 13 | 50351-104-000 | 2 BRACKET SNUBBER SPRING |
| 14 | 50352-104-000 | 2 BRACKET SNUBBER RUBBER |
| 15 | 50350-121-000 | 1 ENGINE BRACKET ASS'Y |
| 16 | 50530-127-000 | 1 SIDE STAND |
| 17 | 95014-116-000 | 1 SIDE STAND RESET SPRING |
| 18 | 95014-71404-0A | 1 SIDE STAND RESET SPRING(SMALL) |
| 19 | 96400-103030 | 2 RUBBER BUSHING |
| 20 | 90103-116-000 | 2 ENGINE MOUNTING SQUARE BOLT |
| 21 | 96421-116-000 | 2 RUBBER CAP |
| 22 | 52403-120-000 | 1 BOWL FIXING SEAT |
| 23 | 50354-120-000 | 1 BRACKET FIXING SEAT |
| 24 | 50355-120-000 | 1 BRACKET GROMMET |
| 25 | 90108-116-000 | 1 HEX BOLT |
| 26 | 31502-127-000 | 1 BATTERY FIXING PLATE |
| 27 | 81205-125-000 | 1 INNER CARRIER |
| 28 | 92000-06018-10 | 4 HEX BOLT |
| 29 | 81201-125-000 | 2 SPACE TUBE |
| 30 | 81202-125-000 | 2 SPACE TUBE |
| 31 | 94050-06000 | 2 HEX FLANGE NUT WITH SERRATION |



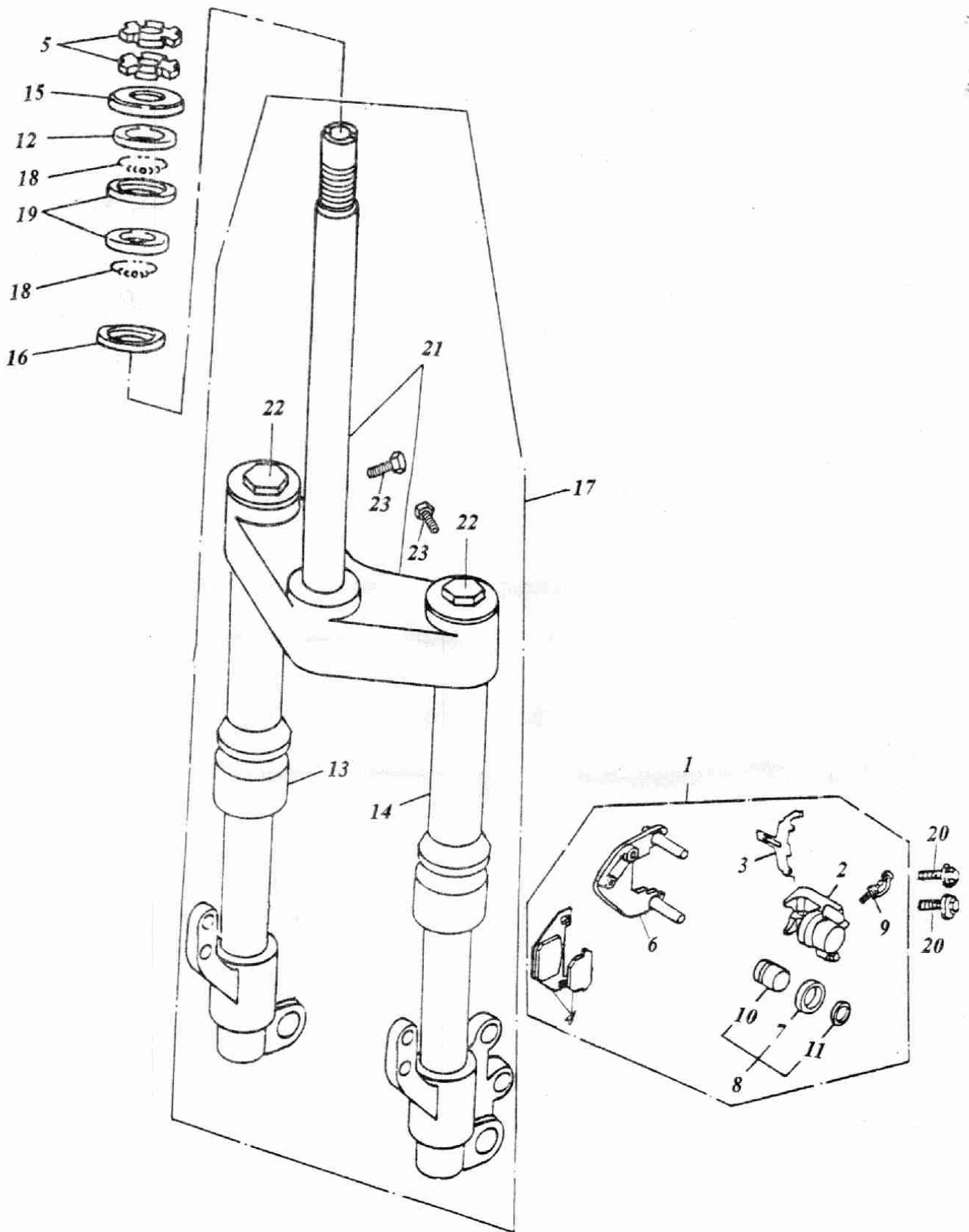
| | | | |
|---|----------------|---|----------------------------------|
| 1 | 50150-125-000 | 1 | COWLING |
| 2 | 61105-110-000 | 1 | FRONT FENDER |
| 3 | 92000-06018-10 | 2 | HEX BOLT |
| 4 | 61100-125-000 | 1 | FRONT FENDER |
| 5 | 61100-125-00B | 1 | FRONT FENDER |
| 6 | 93903-05016 | 2 | TAPPING SCREW TRUSS HEAD PHILLPS |
| 7 | 94101-0615010 | 4 | PLAIN WASHER |
| 8 | 90344-04000 | 2 | U PLATE NUT |
| 9 | 93500-06015 | 4 | PAN PHILLIPS BOLT |



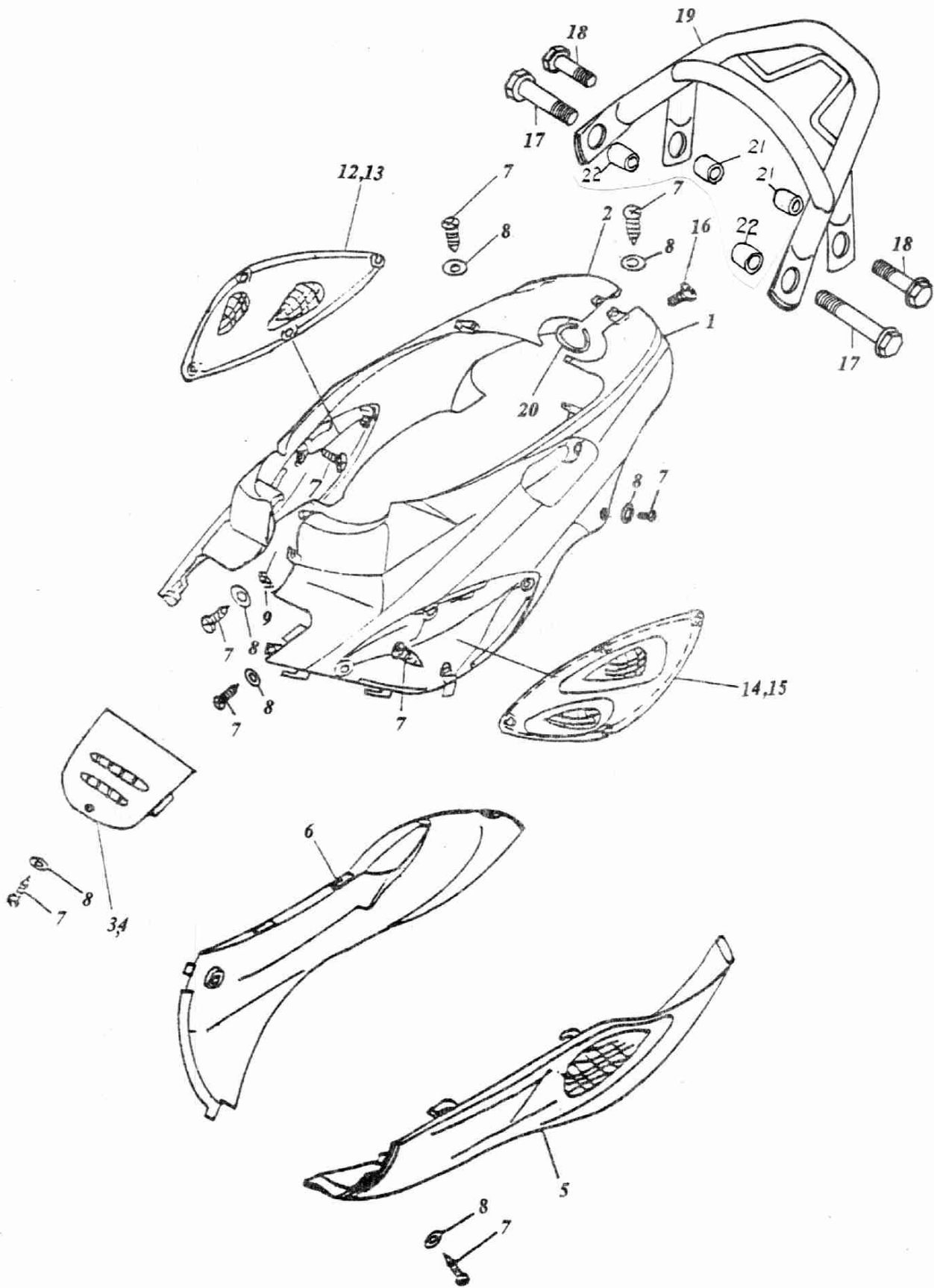
| | | |
|----|----------------|----------------------------------|
| 1 | 77200-125-000 | 1 SEAT ASS'Y |
| 2 | 77209-125-000 | 1 SEAL |
| 3 | 77201-116-000 | 1 SEAT BRACKET |
| 4 | 94050-06000 | 2 HEX FLANGE NUT WITH SERRATION |
| 5 | 77203-116-000 | 1 SEAT FIX SHAFT |
| 6 | 77207-120-000 | 1 HELMET BOX |
| 7 | 81201-116-000 | 2 SPACE TUBE |
| 8 | 96000-06018-10 | 2 HEX WASHER FACE BOLT |
| 9 | 77230-125-000 | 1 SEAT LOCK ASS'Y |
| 10 | 93500-06040 | 2 PAN PHILLIPS BOLT |
| 11 | 94111-0612015 | 2 SPRING WASHER |
| 12 | 94101-0613010 | 2 PLAIN WASHER |
| 13 | 77205-120-000 | 1 FENDER |
| 14 | 77206-120-000 | 1 FENDER BRACKET |
| 15 | 77202-120-000 | 1 COVER,CARBURATETOR MAINTENANCE |
| 16 | 90662-105-000 | 3 RIVET |
| 17 | 93701-06015 | 1 PAN FLAT HEAD PHILLIPS BOLT |
| 18 | 94101-0412010 | 3 PLAIN WASHER |



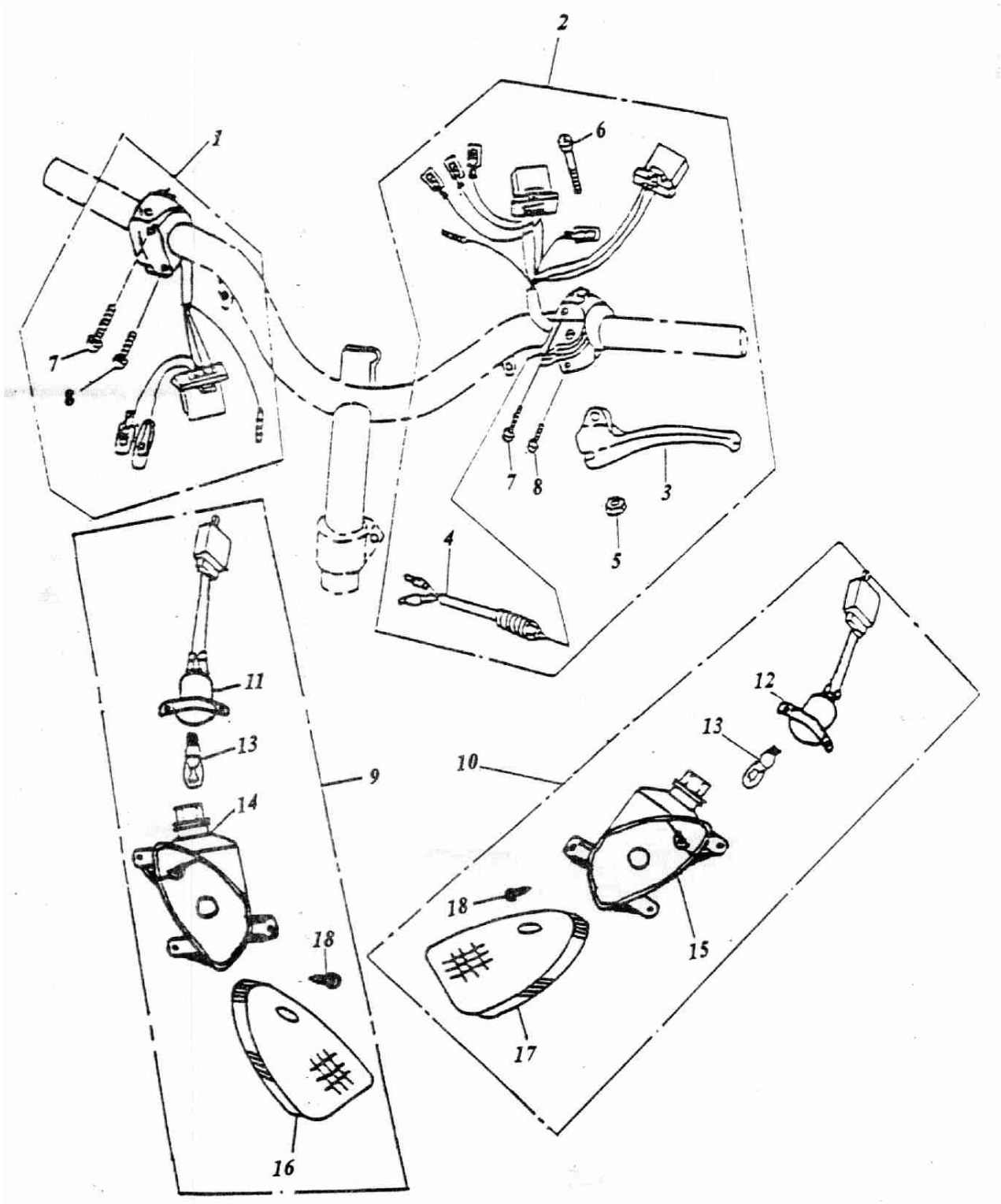
| | | | |
|----|----------------|----|-----------------------------------|
| 1 | 81131-125-000 | 1 | INNEX BOX |
| 2 | 64301-127-000 | 1 | FRONT COVER |
| 3 | 93903-05016 | 14 | TAPPING SCREW TRUSS HEAD PHILLIPS |
| 4 | 81142-116-000 | 1 | INNER BOX LOCK |
| 5 | 33100-125-000 | 1 | HEAD LIGHT ASS'Y (E-MARK) |
| 6 | 34801-125-000 | 1 | HEAD LIGHT WIRE |
| 7 | 33110-125-000 | 1 | HEAD LIGHT COVER (E-MARK) |
| 8 | 34901-110-00A | 1 | HEAD LIGHT BULB (E-MARK) |
| 9 | 87703-125-000 | 1 | "ADLY MOTO" MARK |
| 10 | 93800-06020 | 3 | PAN PHILIPS BOLT |
| 11 | 90344-04000 | 2 | U PLATE NUT |
| 12 | 81141-125-000 | 1 | INNER BOX LID |
| 13 | 92000-06018-10 | 1 | HEX BOLT |
| 14 | 81134-125-000 | 1 | FRAME NUMBER COVER |
| 15 | 34900-127-000 | 1 | POSITION LAMP |
| 16 | 33501-127-000 | 1 | POSITION LIGHT COVER (E-MARK) |
| 17 | 33502-127-000 | 1 | POSITION LIGHT WIRE |
| 18 | 34909-120-000 | 1 | POSITION LIGHT BULB |
| 19 | 93903-04015 | 2 | TAPPING SCREW TRUSS HEAD PHILLIPS |



| | | |
|----|----------------|-----------------------------------|
| 1 | 45000-127-000 | 1 FRONT BRAKE CALIPER ASS'Y |
| 2 | 45010-119-000 | 1 BRAKE CALIPER |
| 3 | 45025-119-000 | 1 SNUBBER SUPPORT |
| 4 | 45120-119-000 | 1 SMALL BRAKE PAD |
| 5 | 94071-25000 | 2 SPANER NUT |
| 6 | 43001-125-000 | 1 BRACKET CALIPER (LEFT) |
| 7 | 45042-125-000 | 1 CALIPER OIL SEAL |
| 8 | 45040-119-000 | 1 CALIPER PISTOW ASS'Y |
| 9 | 45031-107-000 | 1 BREED SCREW KIT |
| 10 | 45046-119-000 | 1 CALIPER PISTON |
| 11 | 45041-125-000 | 1 CALIPER SEAL |
| 12 | 53212-101-000 | 1 LATE CONE STRG TOP #2 |
| 13 | 53030-127-00B | 1 RIGHT TUBE ASS, Y |
| 14 | 53130-127-000 | 1 LEFT TUBE ASS, Y |
| 15 | 50301-101-000 | 1 STEER ING STEM DUST COVER |
| 16 | 53215-101-000 | 1 RACE, BALL #5 |
| 17 | 51100-127-00B | 1 FRONT FORK ASS'Y |
| 18 | 96211-101-000 | 2 STEEL BALL |
| 19 | 53213-101-000 | 2 LATHE STRG INNER #3 |
| 20 | 96000-08034-12 | 2 HEX WASHER FACE BOLT |
| 21 | 51109-125-000 | 1 STEERING STEM WITH BRACKET ASSY |
| 22 | 90350-10000 | 2 NUT NYLON |
| 23 | 92000-10036-14 | 2 HEX BOLT |

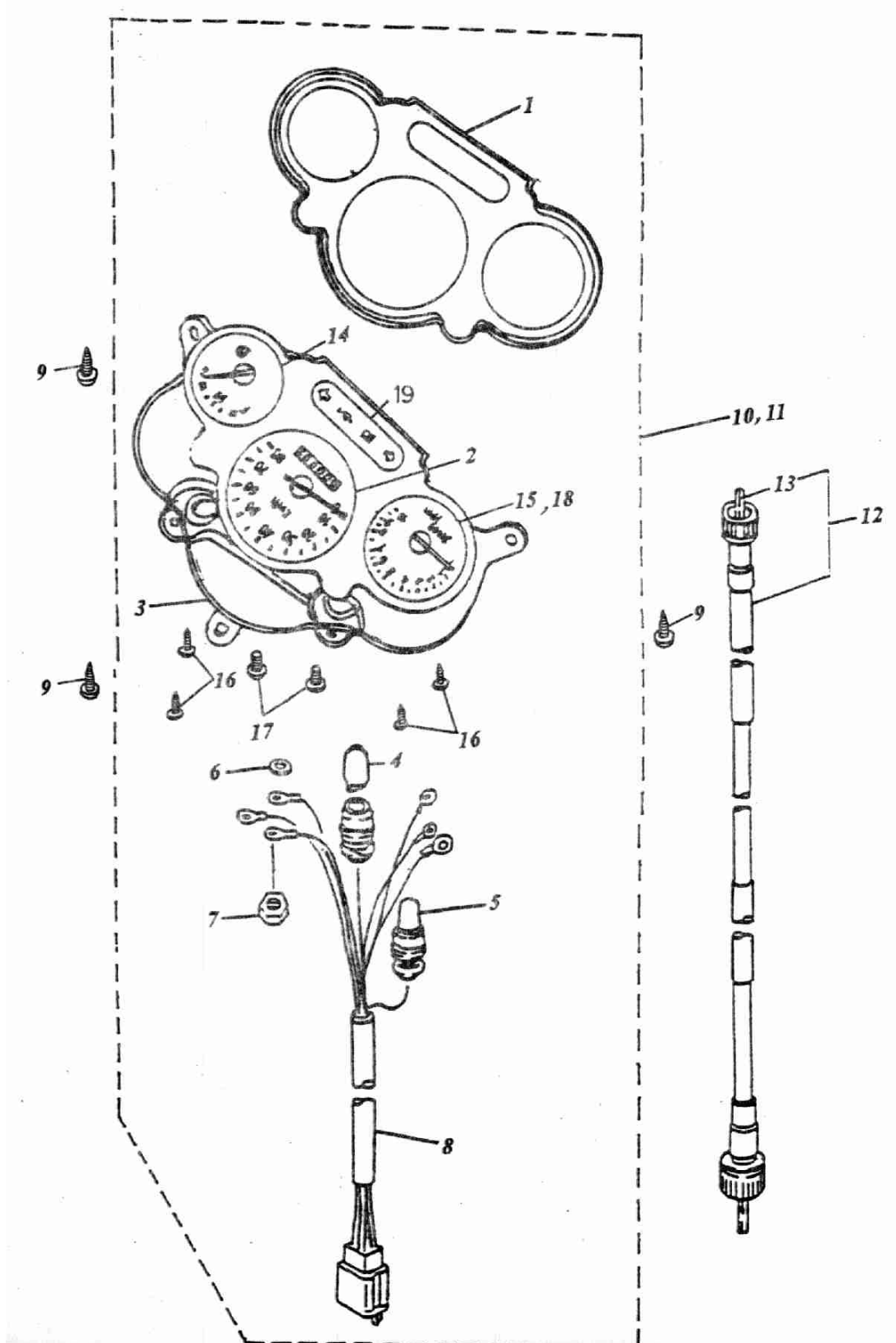


| | | |
|----|----------------|-------------------------------------|
| 1 | 83600-127-000 | 1 LEFT BODY COVER |
| 2 | 83500-125-000 | 1 RIGHT BODY COVER |
| 3 | 31506-125-000 | 1 BODY CENTER COVER |
| 4 | 31506-125-00B | 1 BODY CENTER COVER |
| 5 | 83603-125-000 | 1 LEFT SIDE COVER |
| 6 | 83503-125-000 | 1 RIGHT SIDE COVER |
| 7 | 93903-05016 | 19 TAPPING SCREW TRUSS HEAD PHILLPS |
| 8 | 94101-0514010 | 9 PLAIN WASHER |
| 9 | 90344-04000 | 4 U PLATE NUT |
| 10 | 87700-125-000 | 1 STICKER ASS'Y (STANDERD) |
| 11 | 87700-125-00A | 1 STICKET ASSS'Y (OCAL) |
| 12 | 83504-125-000 | 1 BODY COVER TRIM RN |
| 13 | 83504-125-00B | 1 R.BODY COVER TRIM(CARBON) |
| 14 | 83604-125-000 | 1 BODY COVER TRIM LH |
| 15 | 83604-125-00B | 1 L.BODY COVER TRIM(CARBON) |
| 16 | 93800-06020 | 2 PAN PHILPS BOLT |
| 17 | 96000-08065-12 | 2 HEX WASHER FACE BOLT |
| 18 | 96000-08048-12 | 2 HEX WASHER FACE BOLT |
| 19 | 81200-125-000 | 1 LUGGAGE CARRIER SET |
| 20 | 17632-125-000 | 1 FUEL TANK SEAL |
| 21 | 81201-125-000 | 2 SPACE TUBE |
| 22 | 81202-125-000 | 2 SPACE TUBE |

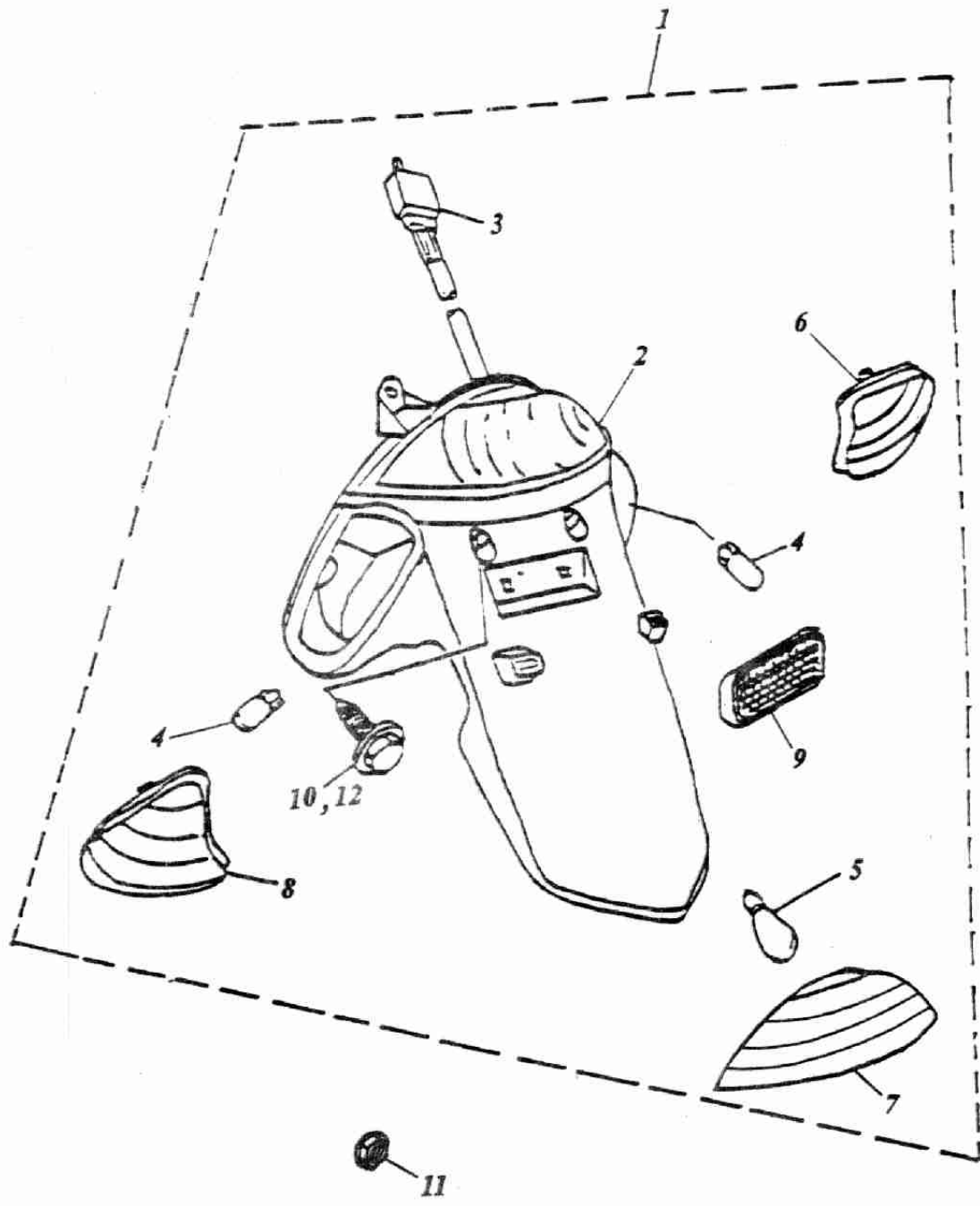


| | | |
|----|---------------|------------------------------------|
| 1 | 35150-120-000 | 1 R.HANDLE SWITCH ASS'Y |
| 2 | 35200-130-000 | 1 L.HANDLE SWITCH ASS'Y |
| 3 | 53178-125-000 | 1 LEFT SIDE LEVER |
| 4 | 35345-111-000 | 1 L.BRAKE SWITCH WIRE |
| 5 | 90350-05000 | 1 NYLON INSERT LOCK NUT |
| 6 | 90116-107-000 | 1 LEFT LEVER SET BOLT |
| 7 | 93500-05035 | 2 PAN PHILLIPS BOLT |
| 8 | 93500-05025 | 2 PAN PHILLIPS BOLT |
| 9 | 33400-125-000 | 1 R.SIGNAL ASS'Y (E-MARK) |
| 10 | 33450-125-000 | 1 L.SIGNAL ASS'Y(E-MARK) |
| 11 | 33425-125-000 | 1 R.SIGNAL BULB SOCKET |
| 12 | 33435-125-000 | 1 L.SIGNAL BULB SOCKET |
| 13 | 34905-118-000 | 2 BULB (E-MARK) |
| 14 | 33401-125-000 | 1 R.SIGNAL SOCKET |
| 15 | 33451-125-000 | 1 L.SIGNAL SOCKET |
| 16 | 33402-125-000 | 1 R.SIGNAL SOVER (E-MARK) |
| 17 | 33452-125-000 | 1 L.SIGNAL COVER (E-MARK) |
| 18 | 93903-03016 | 6 TAPPING SCREW TRUSS HEAD PHILLPS |

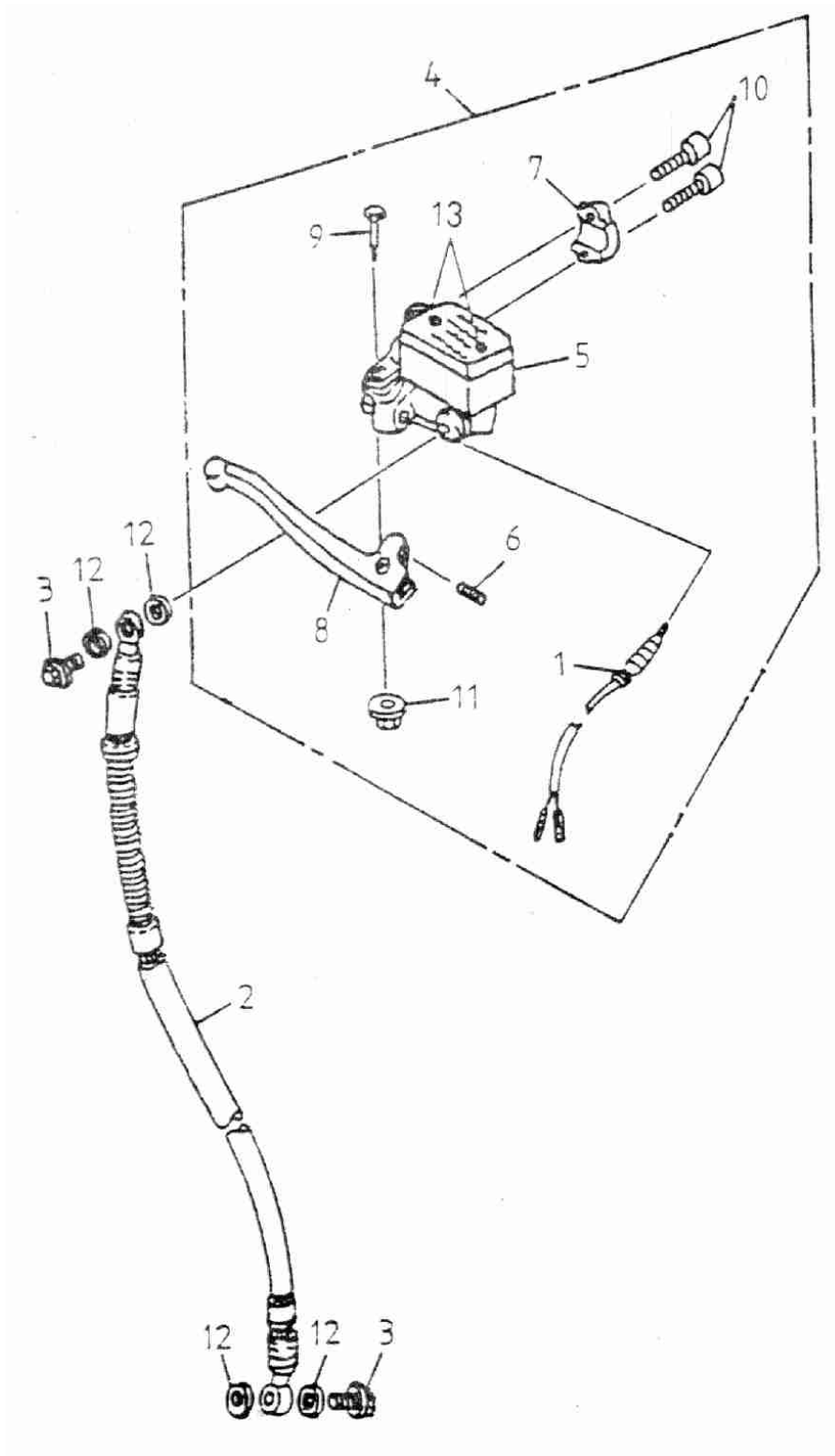
ERING



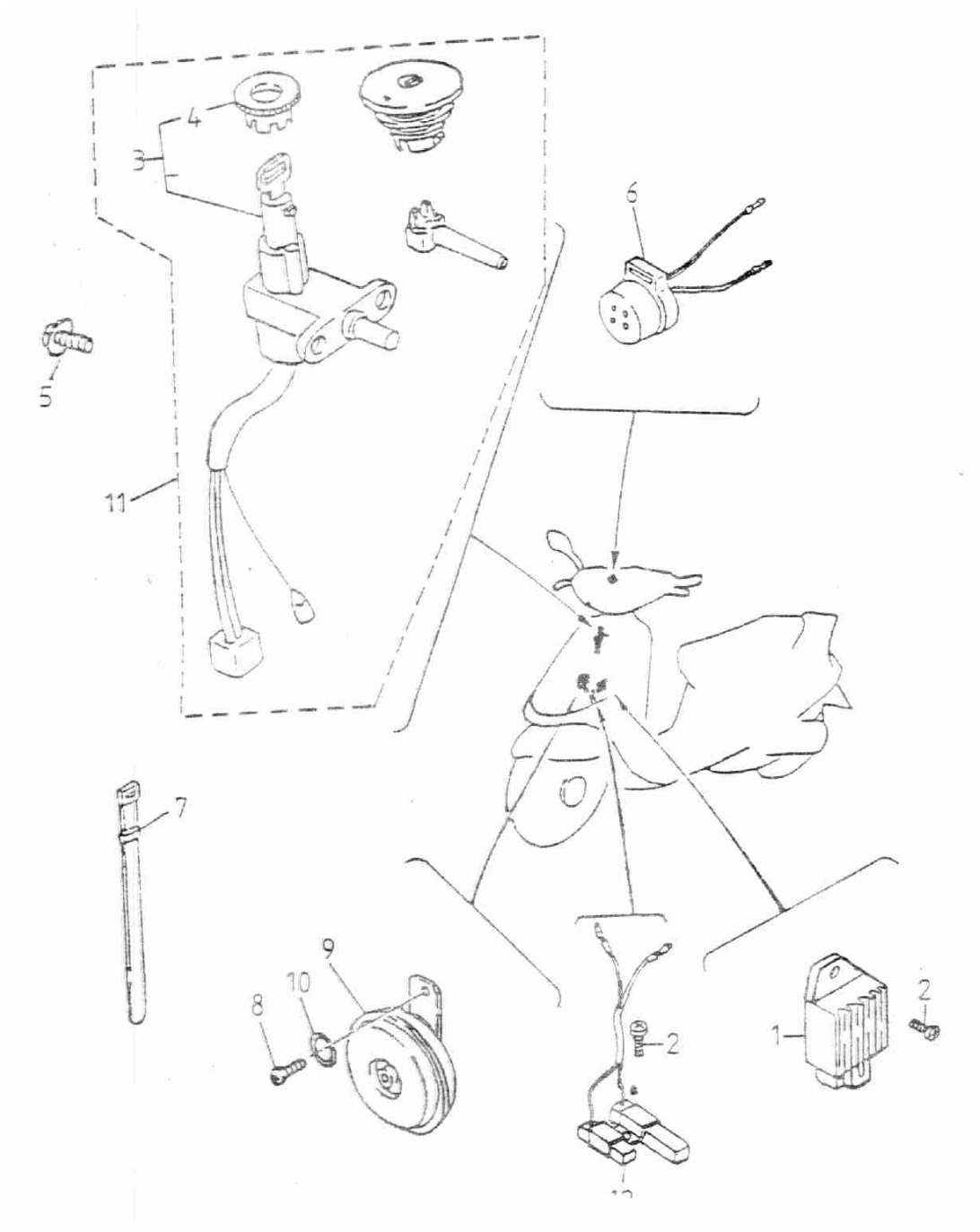
| | | | |
|----|---------------|---|--|
| 1 | 37230-125-000 | 1 | SPEEDOMETER GLASS |
| 2 | 37220-126-000 | 1 | SPEEDOMETER BODY |
| 3 | 37210-125-000 | 1 | SPEEDOMETER CASE |
| 4 | 34908-125-000 | 4 | METER BULB |
| 5 | 34908-101-00A | 2 | METER BULB |
| 6 | 94101-0306006 | 6 | PLAIN WASHER |
| 7 | 94001-03000 | 6 | HEX NUT |
| 8 | 37250-127-000 | 1 | SPEEDOMETER WIRE HARNESS |
| 9 | 93903-05016 | 3 | TAPPING SCREW TRUSS HEAD PHILLPS |
| 10 | 37200-127-000 | 1 | SPEEDOMETER ASS'Y (KPH/MPH) |
| 11 | 37200-127-00A | 1 | SPEEDOMETER ASS'Y (KPH/MPH EXCLUDE R.P.M |
| 12 | 44830-125-000 | 1 | SPEEDOMETER CABLE |
| 13 | 44840-125-000 | 1 | SPEEDOMETER INNER CABLE |
| 14 | 37222-125-000 | 1 | OIL METER |
| 15 | 37223-125-000 | 1 | R.P.M METER |
| 16 | 93903-04012 | 4 | TAPPING SCREW TRUSS HEAD PHILLIPS |
| 17 | 93000-04008 | 2 | ROUND PHILLPS BOLT |
| 18 | 37224-125-000 | 1 | MARK PLATE (NO R.P.M METER) |
| 19 | 37225-127-000 | 1 | INDICATOR PLATE |



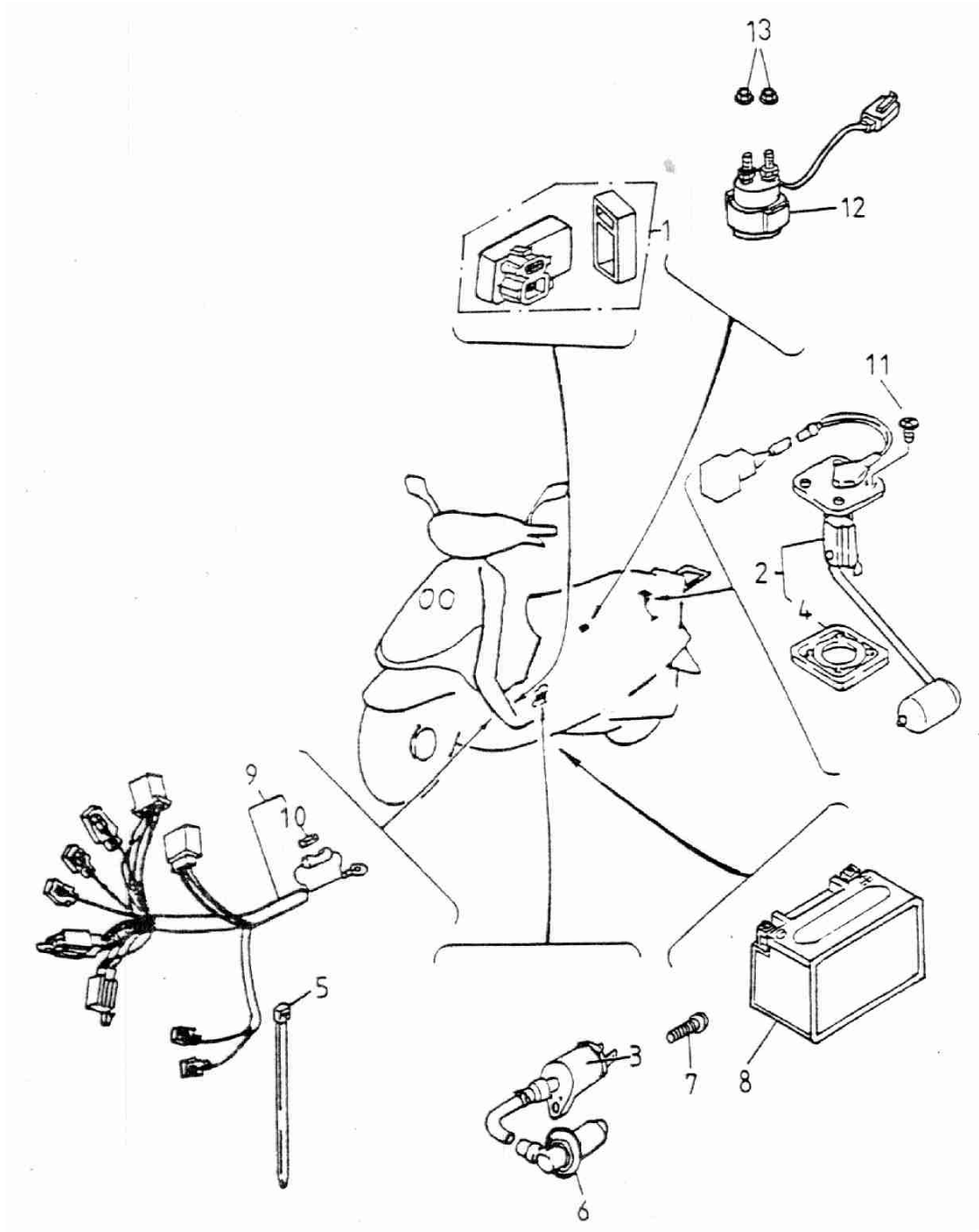
| | | |
|----|----------------|-----------------------------------|
| 1 | 33700-125-000 | 1 TAIL LIGHT ASS'Y (E-MARK) |
| 2 | 33711-125-000 | 1 REAR LIGHT SOCKET |
| 3 | 33712-125-000 | 1 WIRENESS REAR LIGHT |
| 4 | 34905-118-000 | 2 BULB (E-MARK) |
| 5 | 34906-125-000 | 1 TAIL LIGHT BULB (E-MARK) |
| 6 | 33730-105-00A | 1 REAR RIGHT SIGNAL LENS (E-MARK) |
| 7 | 33702-125-000 | 1 TAIL LIGHT LENS (E-MARK) |
| 8 | 33735-125-000 | 1 REAR LEFT SIGNAL LENS (E-MARK) |
| 9 | 33741-125-000 | 1 REFLECTOR (E-MARK) |
| 10 | 92000-06018-10 | 2 HEX BOLT |
| 11 | 94050-06000 | 2 HEX FLANGE NUT WITH SERRATION |
| 12 | 92000-06018-10 | 4 HEX BOLT |



| | | |
|----|---------------|---------------------------------|
| 1 | 35340-107-000 | 1 R.BRAKE SWITCH WIRE |
| 2 | 45450-111-000 | 1 BRAKE HOSE |
| 3 | 45456-107-000 | 2 BRAKE HOSE SET BOLT |
| 4 | 45500-125-000 | 1 MASTER CYLINDER SUB ASS'Y |
| 5 | 45510-125-000 | 1 MASTER CYLINDER SUB |
| 6 | 45515-125-000 | 1 LEVER RESET SPRING |
| 7 | 53174-107-000 | 1 MASTER CYLINDER BRACKET |
| 8 | 53175-125-000 | 1 RIGHT LEVER |
| 9 | 90115-107-000 | 1 RIGHT LEVER SET BOLT |
| 10 | 91000-06025 | 2 HEX SOCKET BOLT |
| 11 | 94050-06000 | 1 HEX FLANGE NUT WITH SERRATION |
| 12 | 94101-1014510 | 4 COPPER PLAIN WASHER |
| 13 | 45465-107-000 | 2 FLAT HEAD SCREW |



| | | | |
|----|----------------|---|---------------------|
| 1 | 31600-120-000 | 1 | REGULATOR RECTIFIER |
| 2 | 93500-05015 | 2 | PAN PHILLIPS BOLT |
| 3 | 35100-125-000 | 1 | MAIN SWITCH ASS'Y |
| 4 | 35111-118-000 | 1 | SWITCH CAP |
| 5 | 92000-06018-10 | 2 | HEX BOLT |
| 6 | 38301-107-000 | 1 | FLASHER RELAY |
| 7 | 90669-101-00A | 1 | RUBBER STRAP |
| 8 | 93500-06012 | 1 | PAN PHILLIPS BOLT |
| 9 | 38110-101-001 | 1 | HORN (E-MARK) |
| 10 | 94111-0612015 | 1 | SPRING WASHER |
| 11 | 35010-125-000 | 1 | KEY SET |
| 12 | 35400-120-000 | 1 | RESISTOR COMP |



| | | |
|----|---------------|---------------------------------|
| 1 | 30410-120-000 | 1 C.D. I UNIT C.D. I |
| 2 | 37800-125-000 | 1 PETROL GAUGE ASS'Y |
| 3 | 30510-120-000 | 1 HIGH TENSION COIL |
| 4 | 37801-101-000 | 1 OIL LEVER GAUGE GASKET |
| 5 | 90669-101-000 | 4 RUBBER STRAP |
| 6 | 30700-120-000 | 1 HIGH TENSION SEAL |
| 7 | 93500-05025 | 1 PAN PHILLIPS BOLT |
| 8 | 31500-120-000 | 1 BATTERY |
| 9 | 32100-125-000 | 1 MAIN WIRE HARNESS |
| 10 | 98200-106-000 | 1 FUSE |
| 11 | 93000-05012 | 4 ROUND PHILLIPS BOLT |
| 12 | 38501-120-000 | 1 STARTING RELAY |
| 13 | 94050-06000 | 2 HEX FLANGE NUT WITH SERRATION |