

# Ersatzteilliste

## ADLY Herkules TB-50



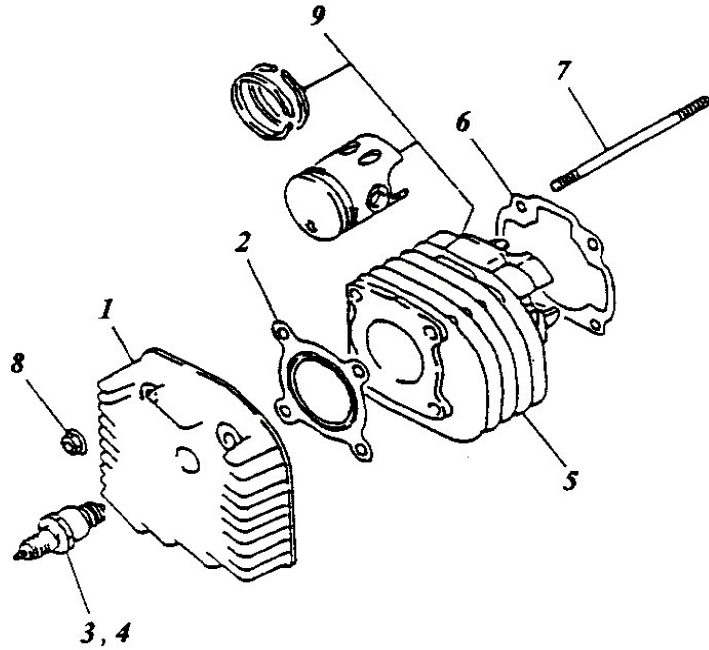
Stand/Version: 11/2004\_1.2



**Motorgeräte**

# ADLY HERKULES

Kolben & Zylinder 125-01



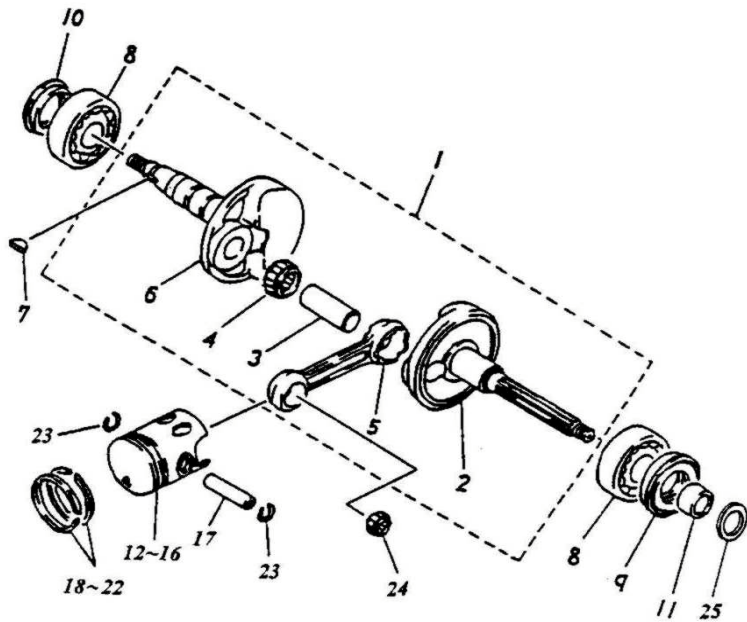
# TB-50

# MODELLJAHR 2004

Pos.	Teile Nr.	STK	Beschreibung	Anmerk.
1	12201-116-000	1	CYLINDER HEAD	
2	12251-116-000	1	CYLINDER HEAD GASKET	
3	98076-101-00A	1	RESISTANCE SPARK PLUG	NGK BPR7HS
9	12301-116-000	1	Zylinder & Kolben Set	
5	12101-116-000	1	CYLINDER	
6	12191-116-000	1	CYLINDER GASKET	
7	91001-07110	4	STUD BOLT	7*110
8	94050-07000	4	HEX FLANGE NUT WITH SERRATION	7MM

# ADLY HERKULES

Kurbelwelle 125-02



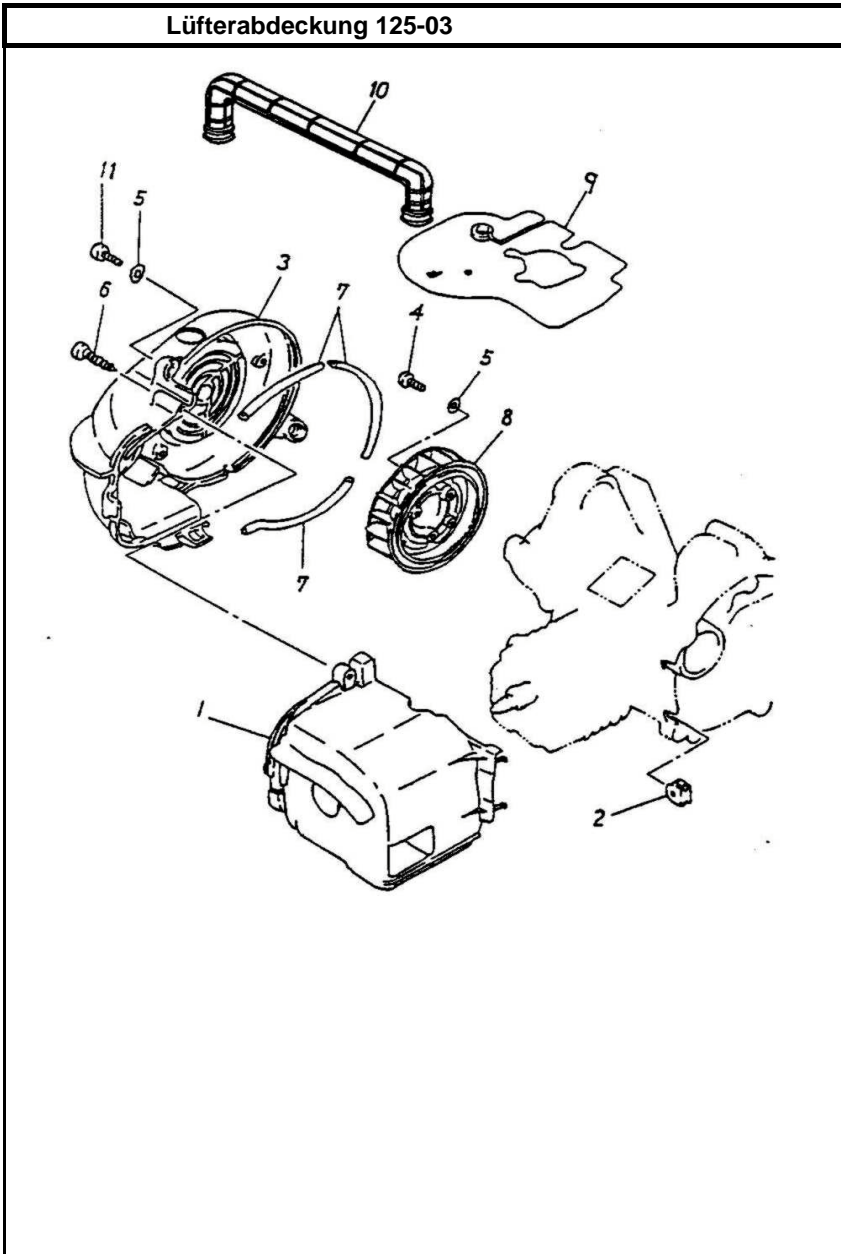
# TB-50

# MODELLJAHR 2004

Pos.	Teile Nr.	STK	Beschreibung	Anmerk.
1	13000-116-000	1	CRANKSHAFT ASS'Y	
2	13321-116-000	1	LEFT CRANK	
3	13381-104-000	1	CRANK PIN	
4	96200-162212	1	NEEDLE BEARING	16*22*12
5	13201-104-000	1	CRANK CONNECTING ROD	
6	13311-116-000	1	RIGHT CRANK	
7	90471-104-000	1	SEMICYCLE KEY	3*13
8	96100-62040	2	RADIAL BALL BEARING	6204C3
9	96500-20428	1	OIL SEAL	20*42/43*8/9
10	96500-20306	1	OIL SEAL	20*30/33*6
11	13316-116-000	1	LEFT CRANK COLLAR	15*20*12
12	13100-116-000	1	Kolben Kit	
13	13111-104-000	1	PISTON PIN	7*10*33
14	13011-116-000	1	PISTON RING SET	STD
15	13115-104-000	2	PISTON PIN CLIP	1.0*12
16	96200-101412	1	NEEDLE BEARING	10*14*12.5
17	94101-1319005	1	PLAIN WASHER	13*19*0.5

# ADLY HERKULES

## Lüfterabdeckung 125-03



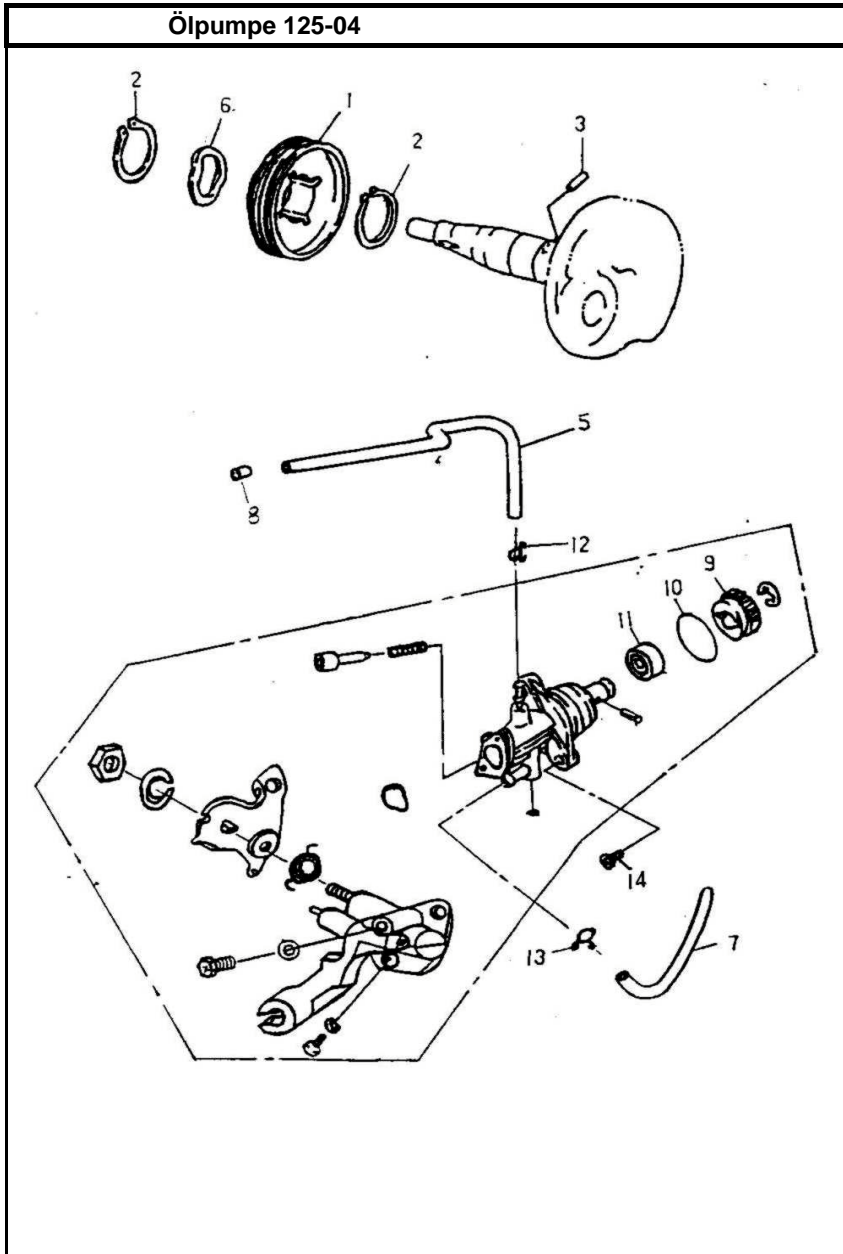
# TB-50

# MODELLJAHR 2004

Pos.	Teile Nr.	STK	Beschreibung	Anmerk.
1	19620-116-000	1	CYLINDER AIR SHROUD	
2	83552-116-000	2	GROMMET	
3	19610-116-001	1	GENERATOR COVER (HOLE)	
4	91000-06015	6	HEX SOCKET BOLT	6*15
5	94101-0613010	6	PLAIN WASHER	6*13*1
6	93903-05040	1	TAPPING SCREW TRUSS HEAD PHILLIPS	5*40
7	17632-116-000	2	DAMPER	
8	19510-116-000	1	FAN	
9	55122-116-000	1	DEFLECTOR	
10	11211-116-000	1	TUBE BREATHER	
11	91000-06020	2	HEX SOCKET BOLT	6*20

# ADLY HERKULES

Ölpumpe 125-04



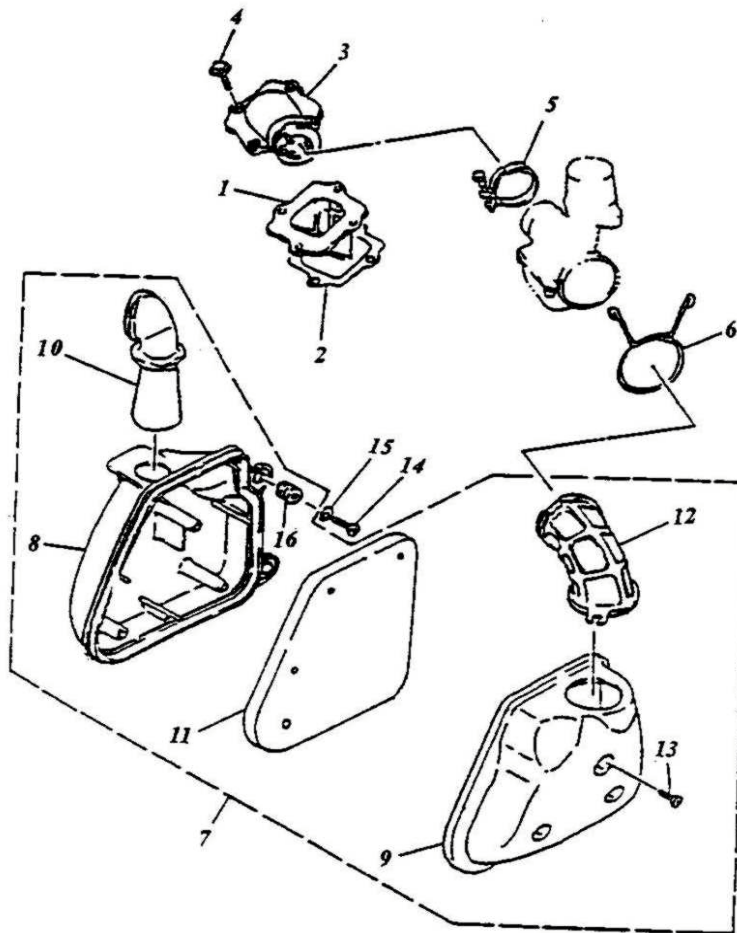
# TB-50

# MODELLJAHR 2004

Pos.	Teile Nr.	STK	Beschreibung	Anmerk.
1	15150-104-000	1	PUMP DRIVE GEAR	
2	94511-1900S	2	EXTERNAL CIR CLIP	STW-19
3	96300-030118	1	CRANK SHAFT PIN	3*11.8
4	15100-116-00A	1	OIL PUMP ASS'Y	
5	94400-0205250	1	OIL TUBE	2*5*250
6	15151-104-000	1	WAVE WASHER	19.2*26*0.3
7	94400-0408300	1	TUBE	4.8*8*300
8	15101-116-000	1	STEEL RING	4 mm
9	15136-110-000	1	OIL PUMP WORMWHEEL	40T
10	91319-110-000	1	OIL RING	19.3*1.6
11	96500-09164	1	OIL SEAL	9.5*16*4
12	94510-05000	2	CLIP	5*0.6
13	94510-08000	2	CLIP	8*0.8
14	93500-05015	2	PAN PHILLIPS BOLT	5*15

# ADLY HERKULES

Luftfilter 125-05



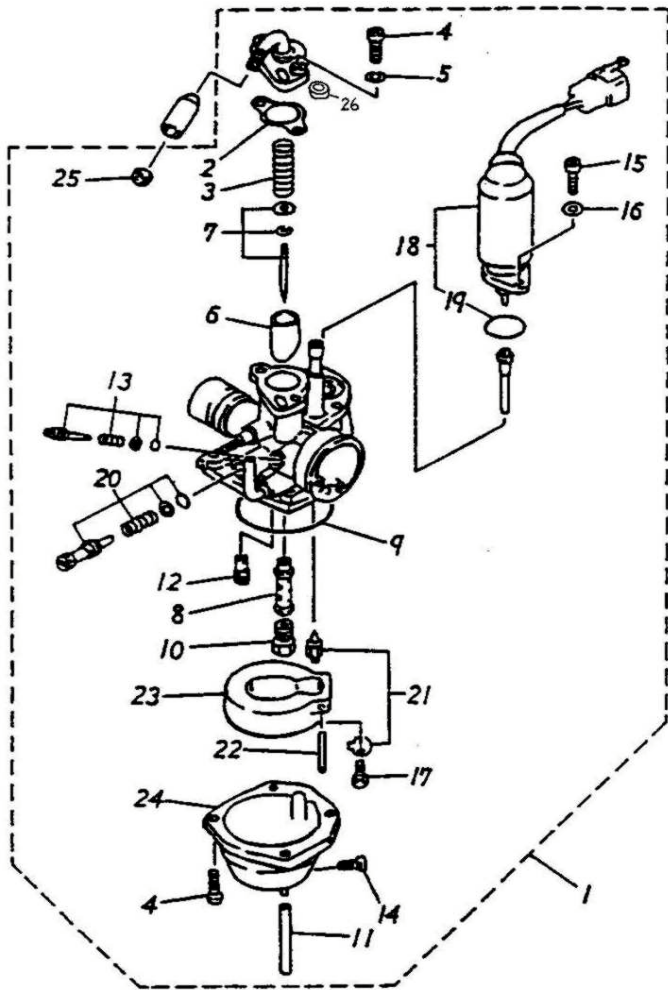
# TB-50

# MODELLJAHR 2004

Pos.	Teile Nr.	STK	Beschreibung	Anmerk.
1	14100-116-000	1	REED VALVE ASSY(REV.1)	
2	17111-116-000	1	REED VALVE GASKET	
3	17100-116-000	1	INTAKE MANIFOLD(3XG)	
4	96000-06018-08	4	HEX WASHER FACE BOLT	6*18
5	14110-104-000	1	INTAKE MANIFOLD HOSE CLAMP	
6	94510-40000	1	CLIP	40*2.3
7	17200-116-000	1	AIR CLEANER ASS'Y	
8	17206-116-000	1	AIR CLEANER BASE	
9	17207-116-000	1	AIR CLEANER COVER	
10	17219-116-000	1	GUIDE PIPE	
11	17205-116-000	1	AIR CLEANER ELEMENT	
12	17253-116-000	1	AIR CLEANER JOINT	
13	93903-05025	3	TAPPING SCREW TRUSS HEAD PHILLIPS	5*25
14	91000-06020	2	HEX SOCKET BOLT	6*20
15	94101-0613010	2	PLAIN WASHER	6*13*1
16	96485-116-000	2	GROMMET	

# ADLY HERKULES

Vergaser 125-06



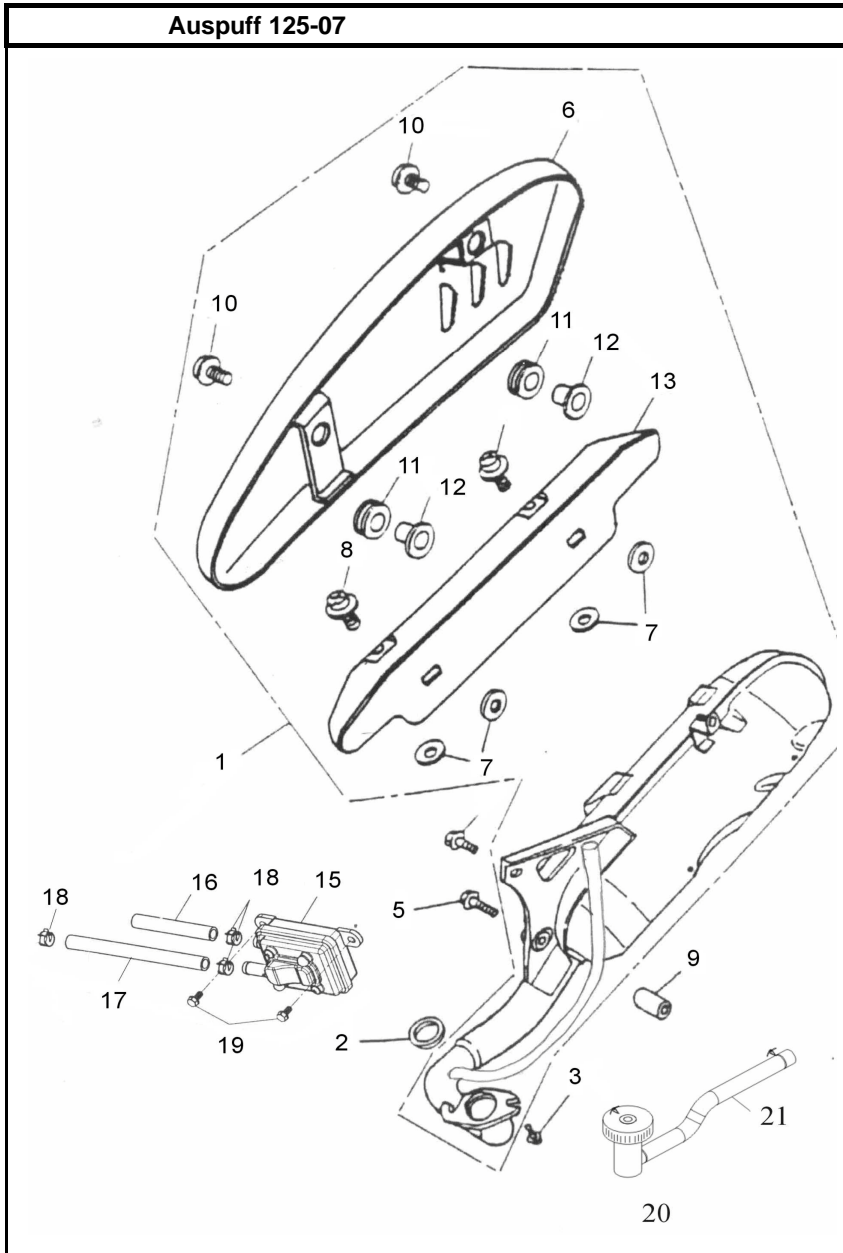
# TB-50

# MODELLJAHR 2004

Pos.	Teile Nr.	STK	Beschreibung	Anmerk.
1	16100-116-00D	1	CARBURETOR ASS'Y	
1	16100-116-00A	1	Vergaser ohne Reduzierung o.TÜV	
2	16101-116-000	1	CARBURETOR GASKET	
3	16102-116-000	1	THROTTLE VALVE SPRING	
4	93500-04014	6	PAN PHILLIPS BOLT	4*14
5	94111-0407010	2	SPRING WASHER	4*7*1
6	16103-116-000	1	THROTTLE VALVE	
7	16104-116-00A	1	NEEDLE SET	4EL4-4
8	16105-116-000	1	NEEDLE NOZZLE	
9	16106-116-000	1	FLOAT CHAMBER SEAL	
10	16108-116-00C	1	Hauptdüse #70	(#70)
10	16108-116-000	1	Hauptdüse #75; für Verg. O. Red.	ohne TÜV
11	16109-116-000	1	OVER FLOW TUBE	4*7
12	16110-116-000	1	PILOT JET	#17.5
13	16115-116-000	1	AIR ADJUST SCREW SET	
14	16111-116-000	1	DRAIN PLUG	
15	93500-04008	2	PAN PHILLIPS BOLT	4*8
16	94111-0406510	2	SPRING WASHER	4*6.5*1
17	93500-03008	1	PAN PHILLIPS BOLT	3*6
18	17215-116-000	1	PLUNGER STARTER	
19	91314-116-000	1	OIL RING	14*1.5
20	16114-116-000	1	THROTTLE SCREW SET	
21	16117-116-00A	1	NEEDLE VALVE ASS'Y	
22	16119-116-000	1	FLOAT PIN	
23	16118-116-000	1	FLOAT	
24	16107-116-000	1	FLOAT CHAMBER	
25	16113-116-000	1	CABLE ADJUST NUT	
26	16148-116-000	1	CARBURETOR REDUCER	11*14*10

# ADLY HERKULES

Auspuff 125-07



# TB-50

# MODELLJAHR 2004

Pos.	Teile Nr.	STK	Beschreibung	Anmerk.
1	18300-125-00R	1	EXHAUST PIPE ASS'Y(116 EU2CATA3)	CATA-92/61
2	18291-104-000	1	EXHAUST PIPE GASKET	
3	92001-06018-10	2	HEX HEAD PHILLIPS BOLT	6*18
4	96000-08048-12	1	HEX WASHER FACE BOLT	8*48
5	96000-08065-12	1	HEX WASHER FACE BOLT	8*65
6	18301-118-000	1	MUFFLER PROTECTOR	
7	94102-0615010	4	PAPER PLATE WASHER	6*15*1.0
8	93500-06017	2	PAN PHILLIPS BOLT	6*17
9	18302-116-000	1	COLLAR	10*15*23
10	93800-06017	2	FLAT BOLT WITH WASHER	6*17
11	83553-118-000	2	GROMMET	
12	18303-118-000	2	SLEEVE NUT	
13	18315-118-000	1	EXHAUST PIPE PROTECTOR	
14	18292-104-000	3	MUFFLER SHROUD GASKET	6mm
15	17410-116-000	1	REED VALVE COMP	
16	17411-116-00A	1	REED VALVE COMP IN. PIPE	120mm
17	17412-116-000	1	REED VALVE COMP EX. PIPE	130mm
18	94513-18000	3	SPRING CLAMP	#18
19	96000-06016-10G	2	HEX WASHER FACE BOLT	6*16
20	17196-128-000	1	EXHAUST RETURN	i@
21	17197-128-000	1	EXHAUST RETURN OIL TUBE A	i@

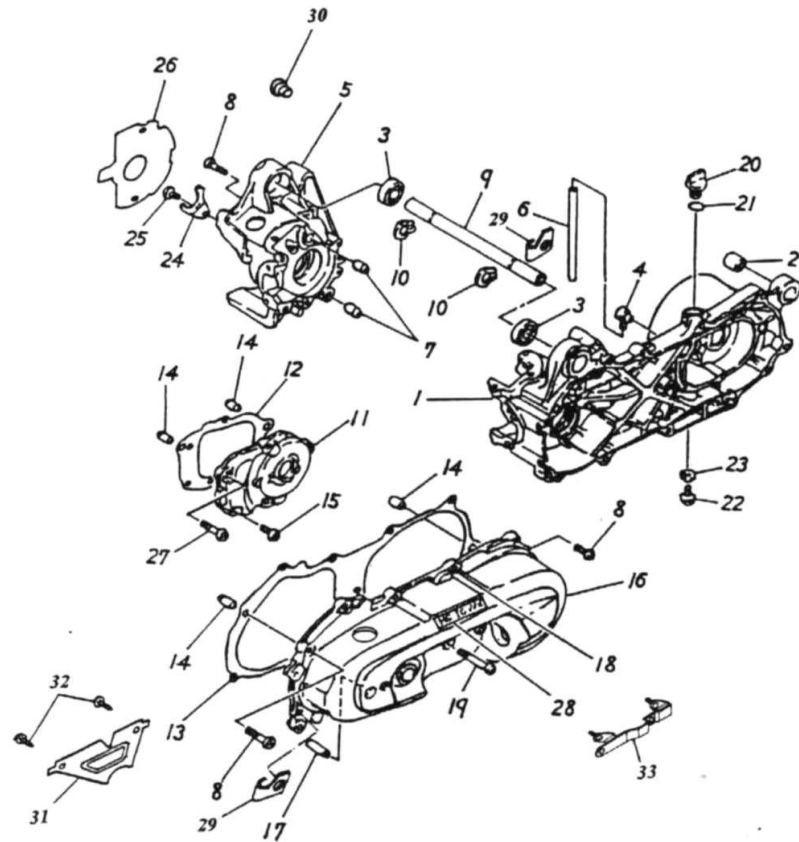


# ADLY HERKULES

# TB-50

# MODELLJAHR 2004

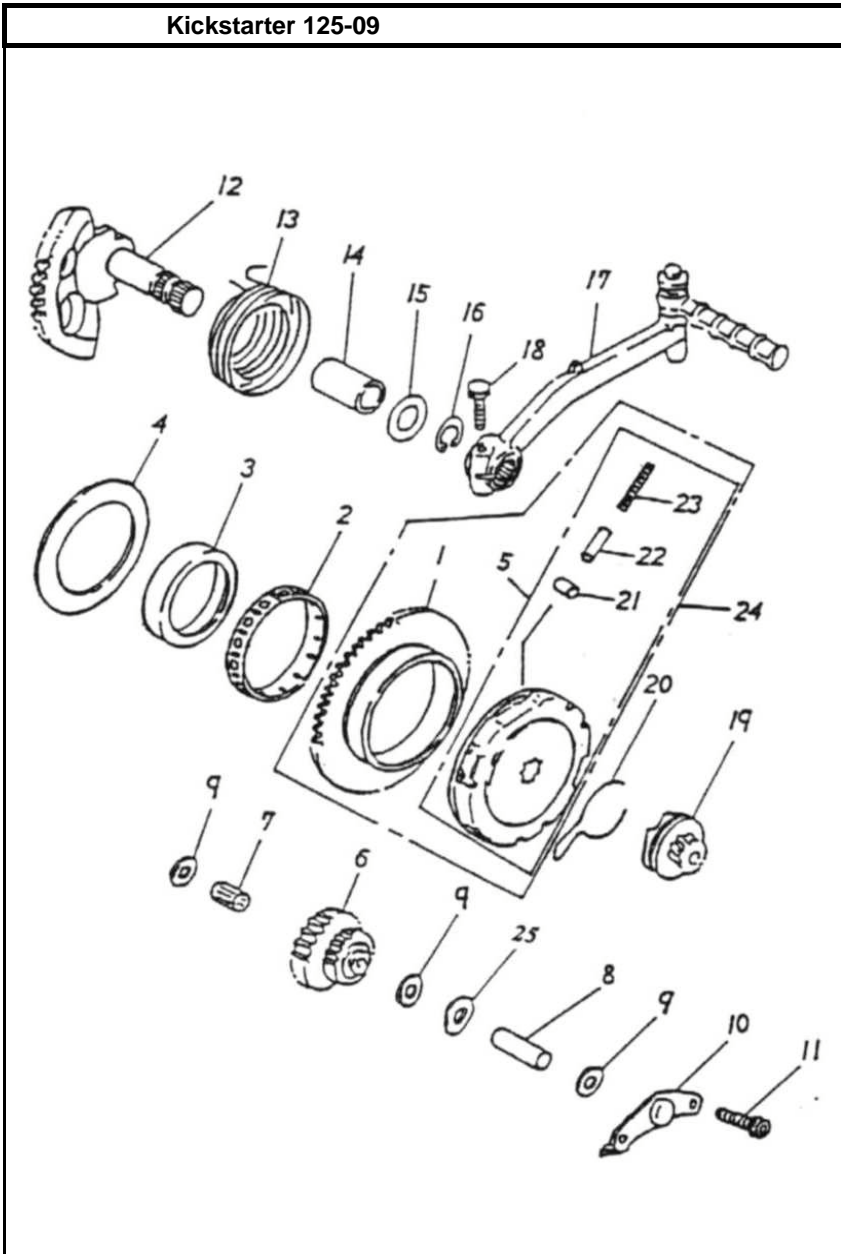
Kurbelgehäuse 125-08



Pos.	Teile Nr.	STK	Beschreibung	Anmerk.
1	11201-116-000	1	LEFT CRANKCASE(REV.5)	
2	96400-082020	1	RUBBER BUSHING	8*20*20
3	96100-6003U	2	RADIAL BALL BEARING	6003LLU
4	16610-104-000	1	BREATHER HOSE HEAD	
5	11101-116-000	1	RIGHT CRANKCASE(REV.4)	
6	16615-104-000	1	BREATHER HOSE	
7	94301-12160	2	DOWEL PIN	8.5*12*16
8	91000-06035	8	HEX SOCKET BOLT	6*35
9	11150-116-000	1	CRANKCASE FIX SHAFT	12.5*17*227
10	94511-1700S	2	EXTERNAL CIRCLIP	STW-17
11	21301-116-000	1	MISSION COVER	??
12	21395-116-000	1	MISSION COVER GASKET	
13	11359-116-000	1	CRANKCASE COVER GASKET	
14	94301-10140	4	DOWEL PIN	8*10*14
15	91000-06020	3	HEX SOCKET BOLT	6*20
16	11341-116-001	1	LEFT CRANKCASE COVER (HOLE)	
17	96300-080320	1	SHAFT IDLER	8*32
18	91000-06025	9	HEX SOCKET BOLT	6*25
19	91000-06060	1	HEX SOCKET BOLT	6*60
20	15650-110-000	1	OIL PLUG	
21	91312-104-000	1	OIL RING	11.8*2.6
22	96000-08015-12	1	HEX WASHER FACE BOLT	8*15
23	94101-0813010	1	COPPER PLAIN WASHER	8*13*1
24	11111-104-000	1	OIL SEAL BRACKET	
25	91000-06010	1	HEX SOCKET BOLT	6*10
26	11121-116-000	1	GENERATOR GASKET	
27	91000-06030	2	HEX SOCKET BOLT	6*30
28	87733-116-000	1	HER CHEE STICKER	?? HER CHEE
29	11351-104-000	2	CARBURETOR TUBE BRACKET	
30	11102-116-000	1	PROTECT SHROUD	
31	11342-116-000	1	PLATE L COVER	
32	93903-04008	2	TAPPING SCREW TRUSS HEAD PHILLIPS	4*8
33	50309-125-000	1	REAR FENDER BRACKET(L)	

# ADLY HERKULES

Kickstarter 125-09



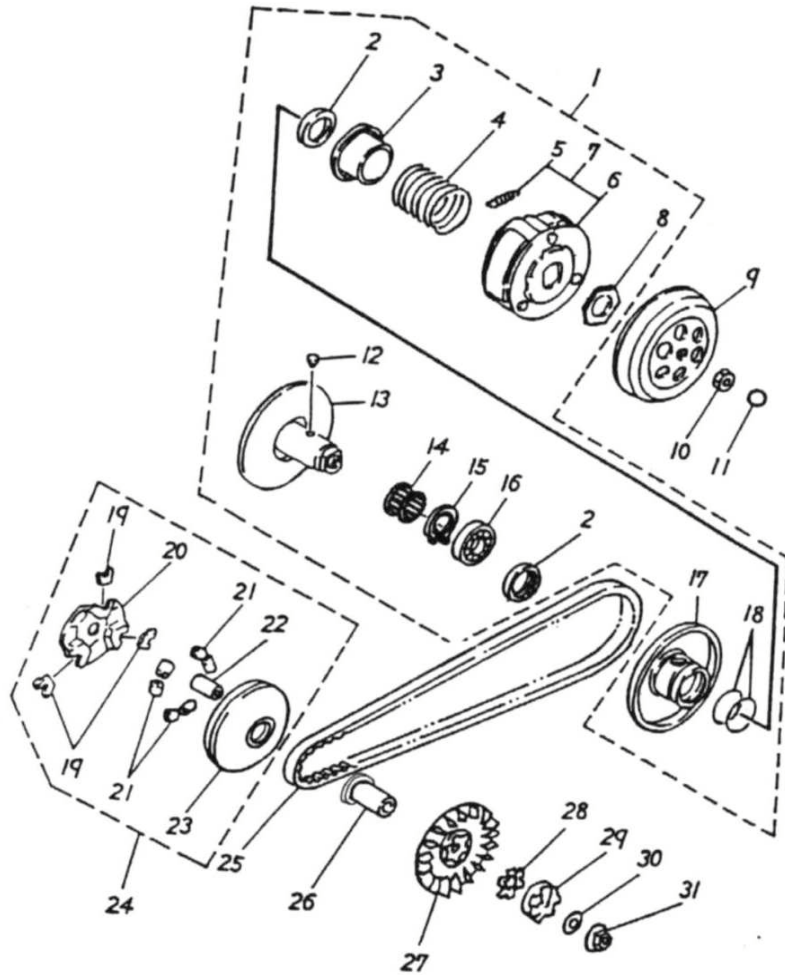
# TB-50

# MODELLJAHR 2004

Pos.	Teile Nr.	STK	Beschreibung	Anmerk.
1	28220-116-000	1	STARTER WHEEL	
2	96200-555912	1	NEEDLE BEARING	55*59*12.5
3	96202-116-000	1	BOSS	
4	94101-5676006	1	PLAIN WASHER	56*76*0.6
5	28410-116-000	1	ELECTRIC STARTER CLUTCH SET	
6	23422-116-000	1	IDLER GEAR	
7	96200-081210	1	NEEDLE BEARING	HK8*12*10
8	96300-080320	1	SHAFT IDLER	8*32
9	94101-0818008	3	PLAIN WASHER	8.2*18*0.8
10	11206-116-000	1	IDLER GEAR PLATE	
11	91000-06010	2	HEX SOCKET BOLT	6*10
12	28250-116-000	1	STARTING SHAFT ASS'Y	
13	28281-110-000	1	STARTING SHAFT RESET SPRING	
14	96401-152030	1	BUSHING	15*20*30
15	94101-1528010	1	PLAIN WASHER	15.2*28*1
16	94511-1500S	1	EXTERNAL CIR CLIP	STW-15
17	28300-104-000	1	KICK CRANK ASS'Y	
18	96000-06025-10	1	HEX WASHER FACE BOLT	6*25
19	28230-104-000	1	KICK PINION ASS'Y	
20	28223-104-000	1	KICK PINION SPRING CLIP	
21	28411-116-000	3	CLUTCH ROLLER	6*7
22	28412-116-000	3	CLUTCH GUIDER	
23	28413-116-000	3	CLUTCH SPRING	
24	28400-116-000	1	ELECTRIC STARTER CLUTCH ASS'Y	
25	92022-851618	1	WAVE WASHER	8.5*16*1.8

# ADLY HERKULES

Variomatik A 125-10



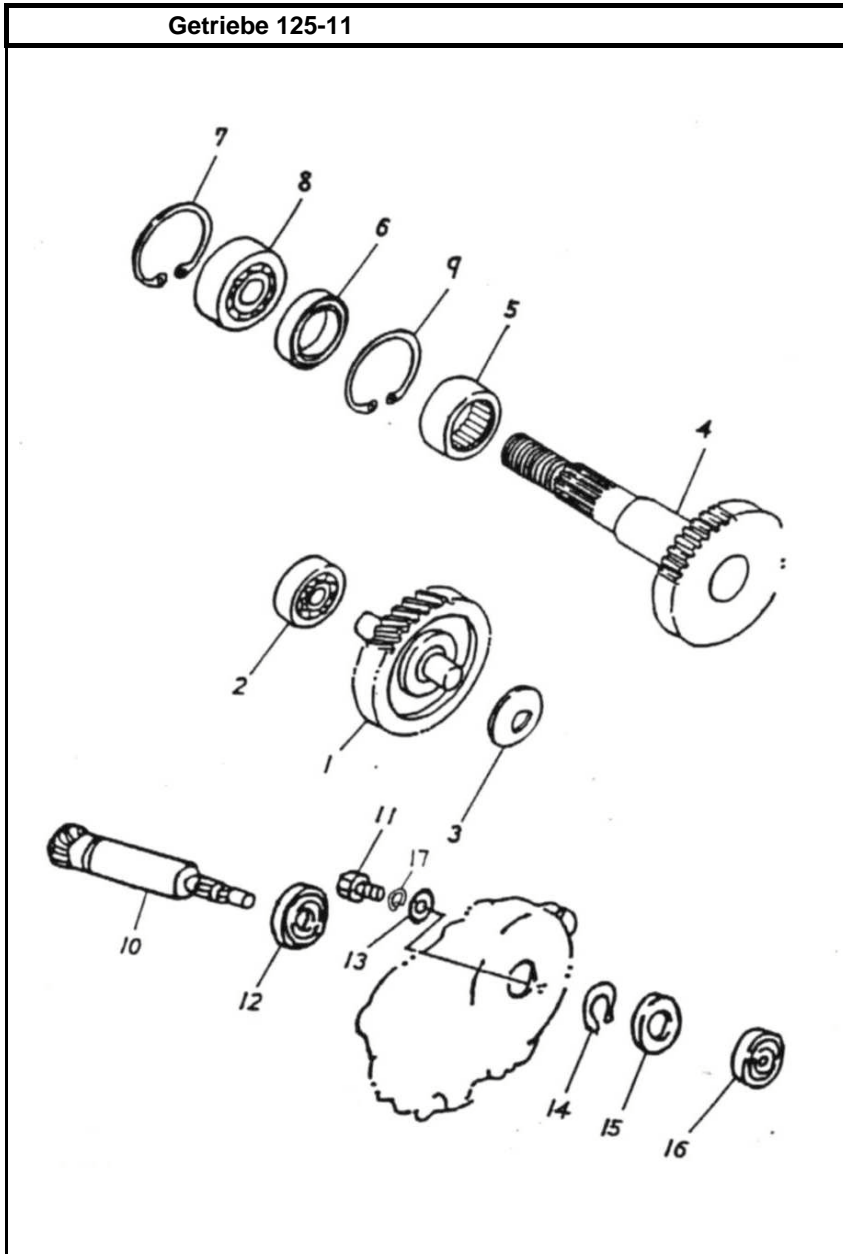
# TB-50

# MODELLJAHR 2004

Pos.	Teile Nr.	STK	Beschreibung	Anmerk.
1	22000-116-00A	1	DRIVE FACE ASSY	B
2	96500-33394	2	OIL SEAL	33*39*4
3	23237-116-000	1	SECONDARY SPRING SEAT	
4	23233-117-000	1	COMPRESSION SPRING	
5	22401-116-000	3	CLUTCH WEIGHT SPRING	
6	22350-116-000	1	CLUTCH CARRIER	
7	22535-116-000	1	CLUTCH WEIGHT SET	
8	90202-116-000	1	NUT	28*38*4
9	22100-116-000	1	CLUTCH COVER COMP	
10	94001-10000	1	HEX NUT	10MM
11	91313-104-000	1	OIL RING	12.5*3
12	23225-116-000	2	GUIDE PIN	
13	23200-116-000	1	SECONDARY FIX SLOT WHEEL	
14	96200-172518	1	NEEDLE BEARING	HKS-17*25*18
15	94512-240IR	1	INTERNAL CIR CLIP	IRTW-24
16	96100-6901U	1	RADIAL BALL BEARING	6901LU
17	23220-116-00A	1	SECONDARY SLIDING SLOT WHEEL	
18	91336-104-000	2	OIL RING	36*2
19	22132-104-000	3	CAM PLATE SLIDER	
20	22131-116-000	1	CAM PLATE	
21	22121-116-00A	6	WEIGHT ROLLER	5.5g
22	96401-182322	1	BUSHING	18*23*22.5
23	22110-116-000	1	PRIMARY SLIDING SLOT WHEEL	
24	22103-116-000	1	SLIDING DRIVE FACE ASSY	A
25	23100-116-000	1	V-BELT	
26	96401-131838F	1	BUSHING	13*18*38*8
27	22102-116-000	1	PRIMARY FIX SHEAVE	
28	22150-110-000	1	LCAW WASHER	
29	22140-110-000	1	ONEWAY CLUTCH	
30	22145-104-000	1	CONE SPRING WASHER	10.2*24*2.6
31	94050-10000	1	HEX FLANGE NUT WITH SERRATION	10mm

# ADLY HERKULES

Getriebe 125-11



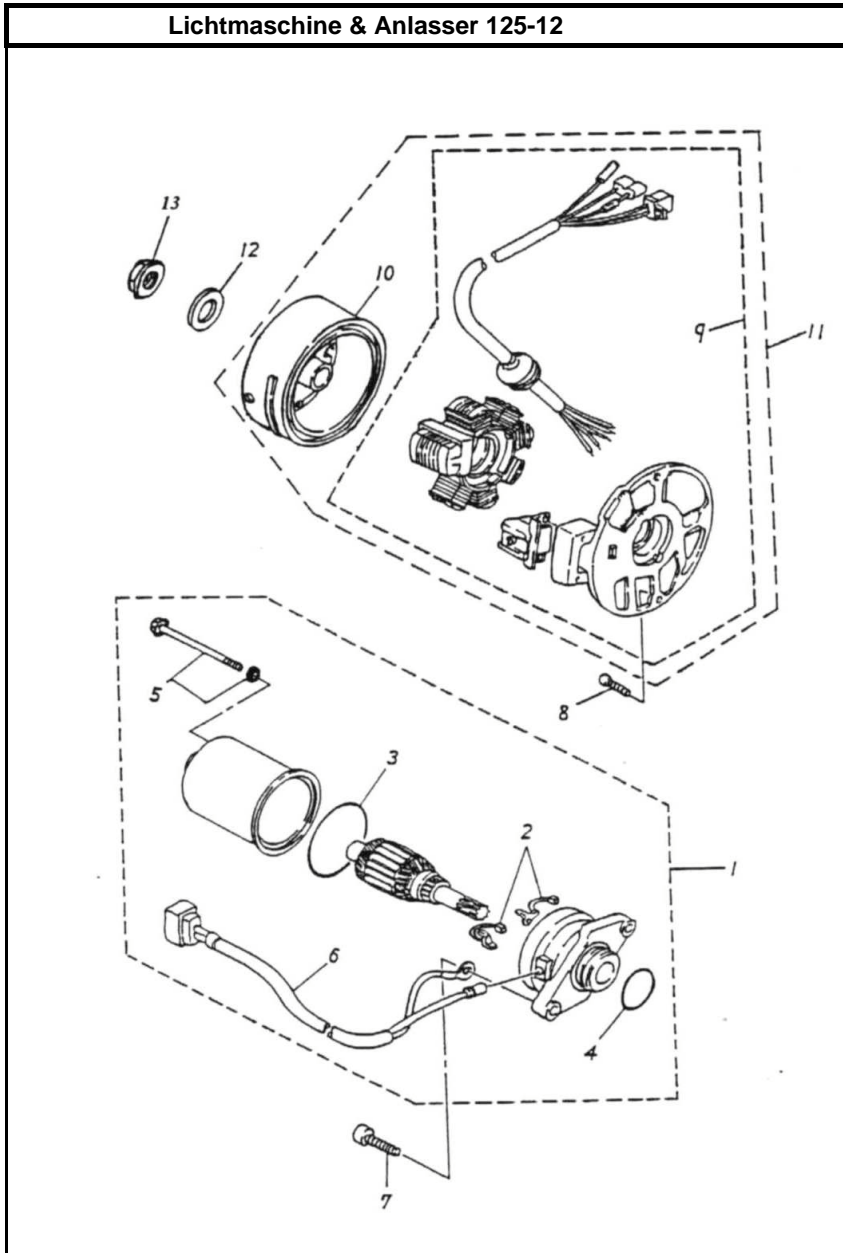
# TB-50

# MODELLJAHR 2004

Pos.	Teile Nr.	STK	Beschreibung	Anmerk.
1	23420-116-00E	1	MAIN AXLE COMP	50/12T
2	96100-62010	1	RADIAL BALL BEARING	6201
3	94101-1229016	1	PLAIN WASHER	12.2*29*1.6
4	23430-116-000	1	DRIVE AXLE	36T
5	96200-253315	1	NEEDLE BEARING	HMK2515
6	96500-25356	1	OIL SEAL	25*35*6
7	94512-4300R	2	INTERNAL CIR CLIP	RTW-43
8	96100-6004U	1	RADIAL BALL BEARING	6004 LU
9	94512-3400R	1	INTERNAL CIR CLIP	RTW-34
10	23411-116-00C	1	PRIMARY DRIVE GEAR	12T
11	92000-06010-10	1	HEX BOLT	6*10
12	96100-60030	1	RADIAL BALL BEARING	6003
13	94101-0620005	1	PLAIN WASHER	6*20*0.5
14	94511-1700S	1	EXTERNAL CIRCLIP	STW-17
15	96500-17285	1	OIL SEAL	17*28*5.5
16	96100-638RD	1	RADIAL BALL BEARING	638RD
17	94111-0612015	1	SPRING WASHER	6*12*1.5

# ADLY HERKULES

Lichtmaschine & Anlasser 125-12



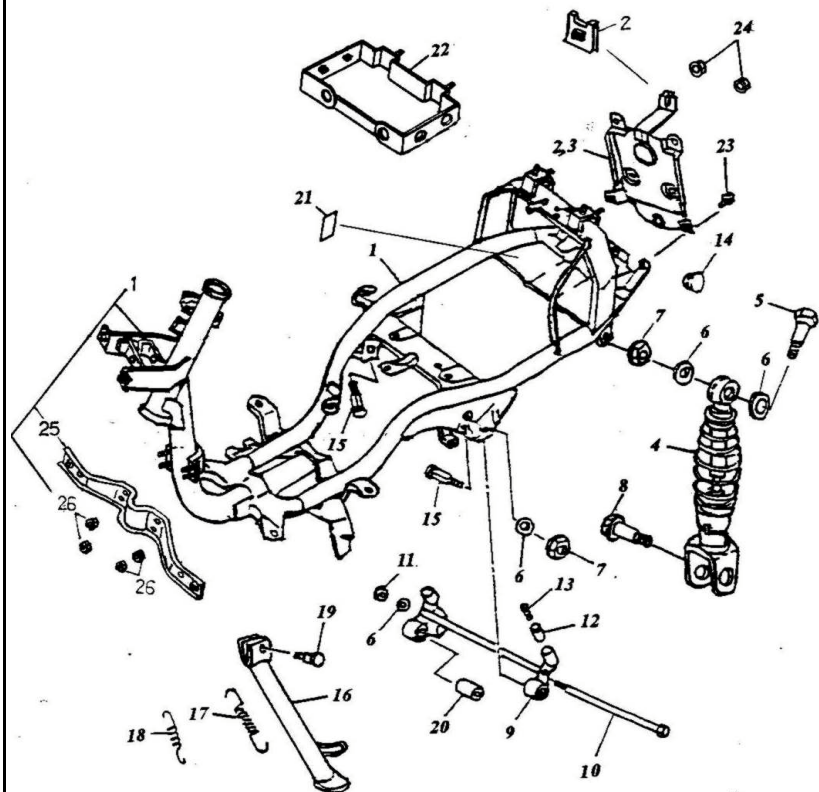
# TB-50

# MODELLJAHR 2004

Pos.	Teile Nr.	STK	Beschreibung	Anmerk.
1	31200-116-000	1	STARTING MOTOR ASS'Y	
2	31201-104-000	1	BRUSH SET	
3	91342-104-000	1	OIL RING	42*1.5
4	91323-104-000	1	OIL RING	23*2
5	90115-104-000	2	BOLT SET	
6	31202-116-000	1	CORD COMP.	
7	91000-06020	2	HEX SOCKET BOLT	6*20
8	91000-06015	2	HEX SOCKET BOLT	6*15
9	31120-116-000	1	STATOR COMP.	
10	31110-116-000	1	GENERATOR FLYWHEEL	
11	31100-116-000	1	GENERATOR ASS'Y	
12	94101-1022020	1	PLAIN WASHER	10*22*2
13	94050-10000	1	HEX FLANGE NUT WITH SERRATION	10mm

# ADLY HERKULES

Rahmen 125-13



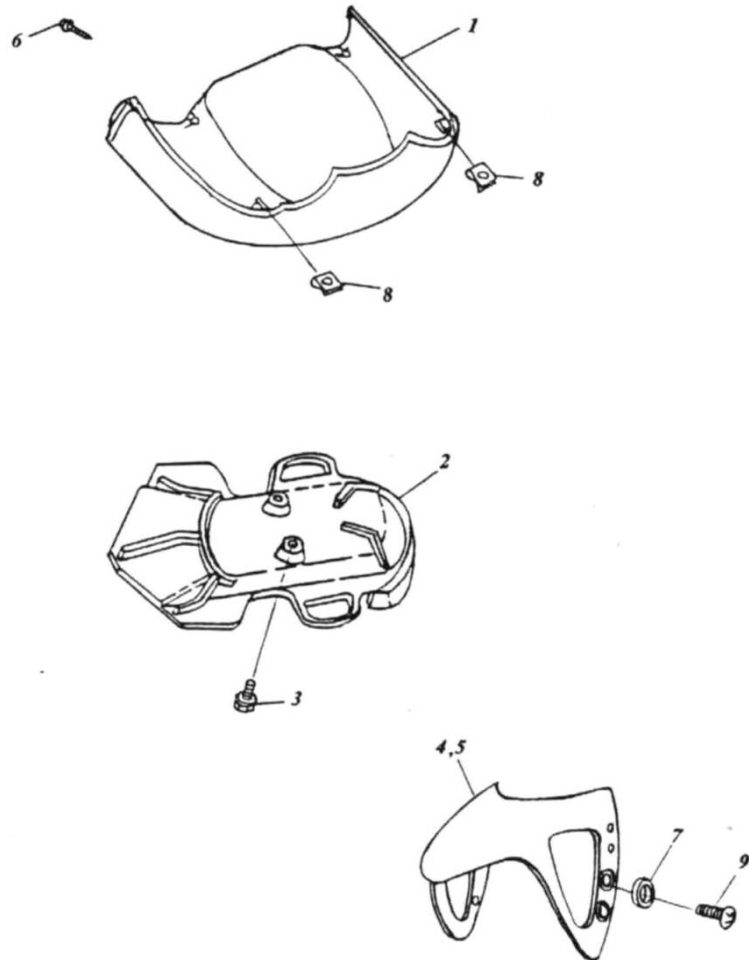
# TB-50

# MODELLJAHR 2004

Pos.	Teile Nr.	STK	Beschreibung	Anmerk.
1	50100-125-000	1	FRAME COMP	
2	90344-06000	1	U PLATE NUT	6mm
3	50357-125-00A	1	TAIL LIGHT FIX BRACKET(CARRIER)	
4	52400-125-000	1	REAR CUSHION ASS'Y	
5	92000-10040-17	1	HEX BOLT	10*40
6	94101-1022015	4	PLAIN WASHER	10*22*1.5
7	90350-10000	3	NUT NYLON	10mm*1.25
8	96000-08032-12	1	HEX WASHER FACE BOLT	8*32
9	50350-116-000	1	ENGINE BRACKET ASS'Y	
10	96000-12250-21	1	HEX WASHER FACE BOLT	12*250
11	90350-12000	1	NYLON INSERT LOCK NUT	12mm
12	50352-104-000	2	BRACKET SNUBBER RUBBER	
13	50351-104-000	2	BRACKET SNUBBER SPRING	
14	96421-116-000	2	RUBBER CAP	
15	90103-116-000	2	ENGINE MOUNTING SQUARE BOLT	10*50
16	50530-125-000	1	SIDE STAND	
17	95014-116-000	1	SIDE STAND RESET SPRING	
18	95014-71404-0A	1	SIDE STAND RESET SPRING(SMALL)	
19	90108-116-000	1	HEX BOLT	8*25
20	96400-103030	2	RUBBER BUSHING	10*30*30
21	50110-125-000	1	ALUMINUM PLATE	
22	81205-125-000	1	INNER CARRIER	
23	92000-06018-10	3	HEX BOLT	6*18
24	94050-06000	2	HEX FLANGE NUT WITH SERRATION	6mm
25	54232-125-000	1	FLOOR PANEL BRACKET	
26	94001-06000	4	HEX NUT	6mm

# ADLY HERKULES

Verkleidung A Rad vo. 125-14



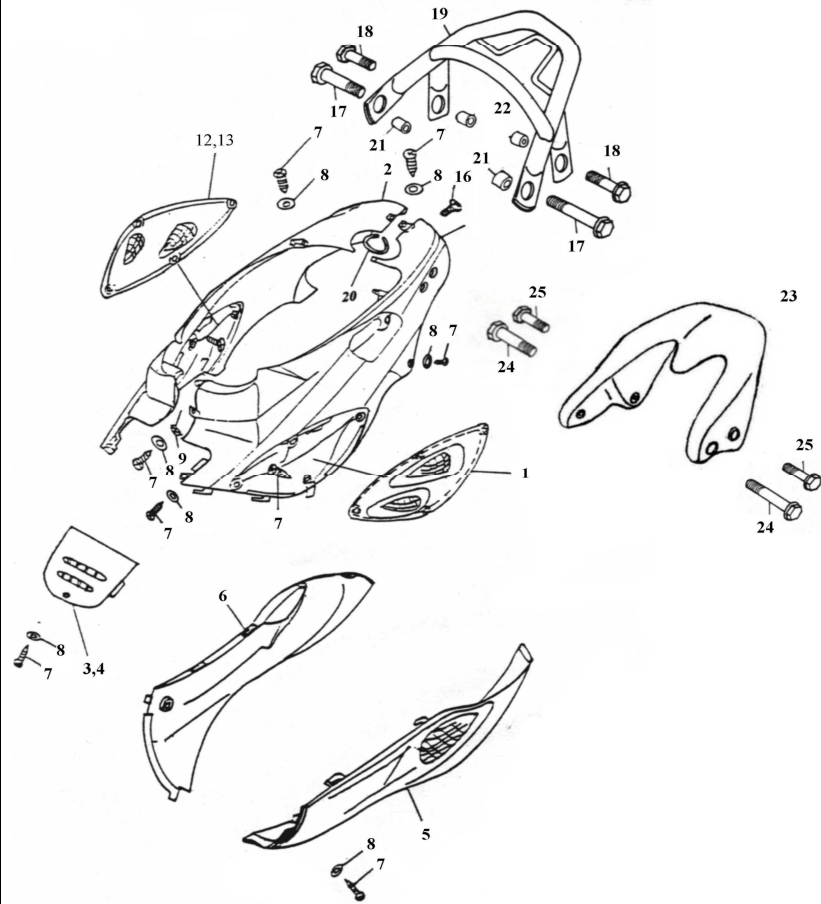
# TB-50

# MODELLJAHR 2004

Pos.	Teile Nr.	STK	Beschreibung	Anmerk.
1	50150-125-000	1	COWLING	
2	61105-110-000	1	FRONT FENDER (INNER)	
3	92000-06018-10	2	HEX BOLT	6*18
4	61100-125-000	1	FRONT FENDER(Ver. 1)	
5	61100-125-00B	1	FRONT FENDER	CUBIC PRINTING
6	93903-05016	2	TAPPING SCREW TRUSS HEAD PHILLIPS	5*16
7	94101-0615010	4	PLAIN WASHER	6*15*1
8	90344-04000	2	U PLATE NUT	4mm
9	93500-06015	4	PAN PHILLIPS BOLT	6*15

# ADLY HERKULES

## Verkleidung B 125-15



# TB-50

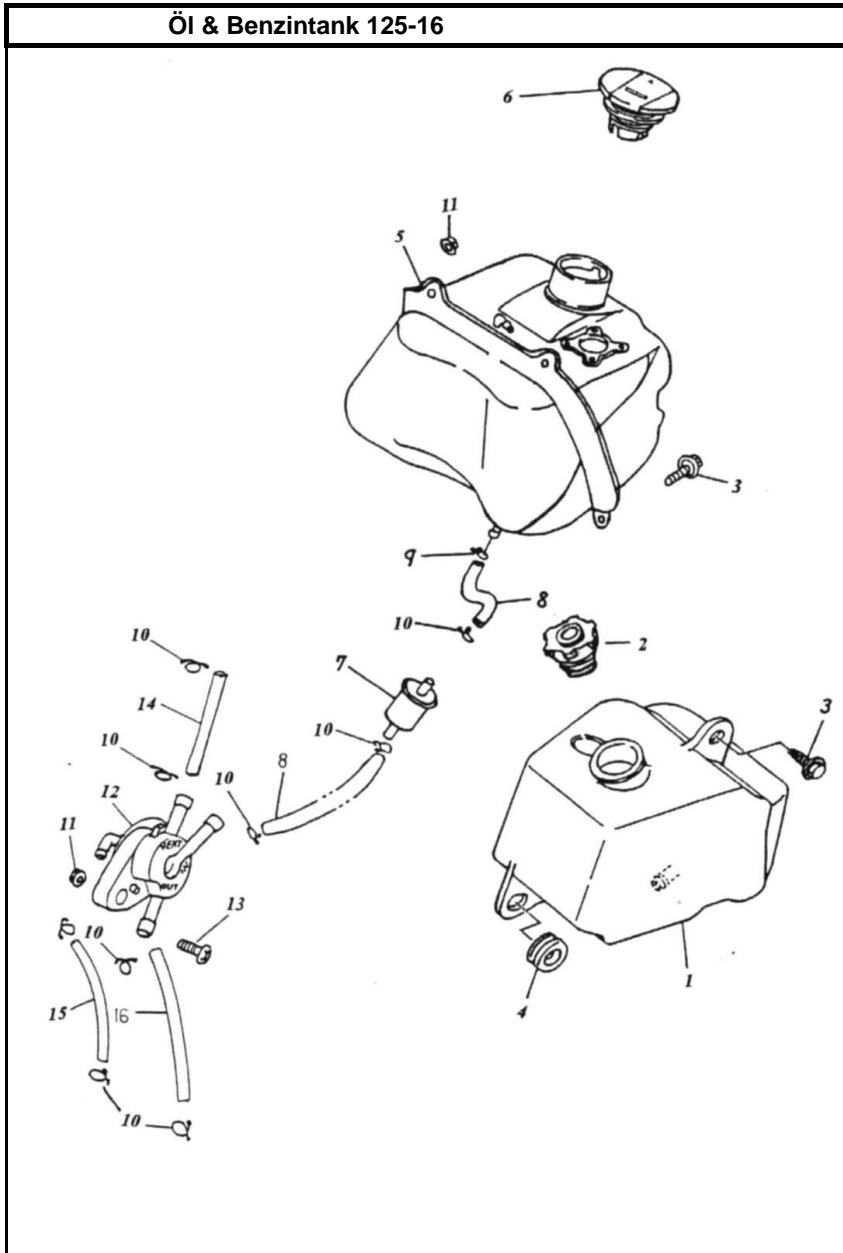
# MODELLJAHR 2004

Pos.	Teile Nr.	STK	Beschreibung	Anmerk.
1	83600-125-00B	1	LEFT BODY COVER(HOLE)	
2	83500-125-00B	1	RIGHT BODY COVER(HOLE)	
3	31506-125-000	1	BODY CENTER COVER	
4	31506-125-00B	1	BODY CENTER COVER	CUBIC PRINTING
5	83603-125-000	1	LEFT SIDE COVER	
6	83503-125-000	1	RIGHT SIDE COVER	
7	93903-05016	19	TAPPING SCREW TRUSS HEAD PHILLIPS	5*16
8	94101-0514010	9	PLAIN WASHER	5*14*1
9	90344-04000	4	U PLATE NUT	4mm
10	87700-125-000	1	STICKER ASS'Y (STANDARD)	
11	87700-125-00A	1	STICKER ASS'Y (OVAL)	
12	83504-125-000	1	BODY COVER TRIM(RN)	
13	83504-125-00B	1	R.BODY COVER TRIM(CARBON)	CUBIC PRINTING
14	83604-125-000	1	BODY COVER TRIM(LH)	
15	83604-125-00B	1	L.BODY COVER TRIM(CARBON)	CUBIC PRINTING
16	93800-06020	2	PAN PHILPS BOLT	6*20
17	96000-08065-12	2	HEX WASHER FACE BOLT	8*65
18	96000-08048-12	2	HEX WASHER FACE BOLT	8*48
19	81200-125-00A	1	LUGGAGE CARRIER SET	SHORT TYPE
20	17632-125-000	1	FUEL TANK SEAL	280mm
21	81201-125-000	2	SPACE TUBE	9.5*15*55
22	81202-125-000	2	SPACE TUBE	9.5*15*32
23	81300-125-000	1	REAR SPOILER ASS'Y	
24	96000-08076-12	2	HEX WASHER FACE BOLT	8*76
25	96000-08056-12	2	HEX WASHER FACE BOLT	8*56



# ADLY HERKULES

## Öl & Benzintank 125-16



# TB-50

# MODELLJAHR 2004

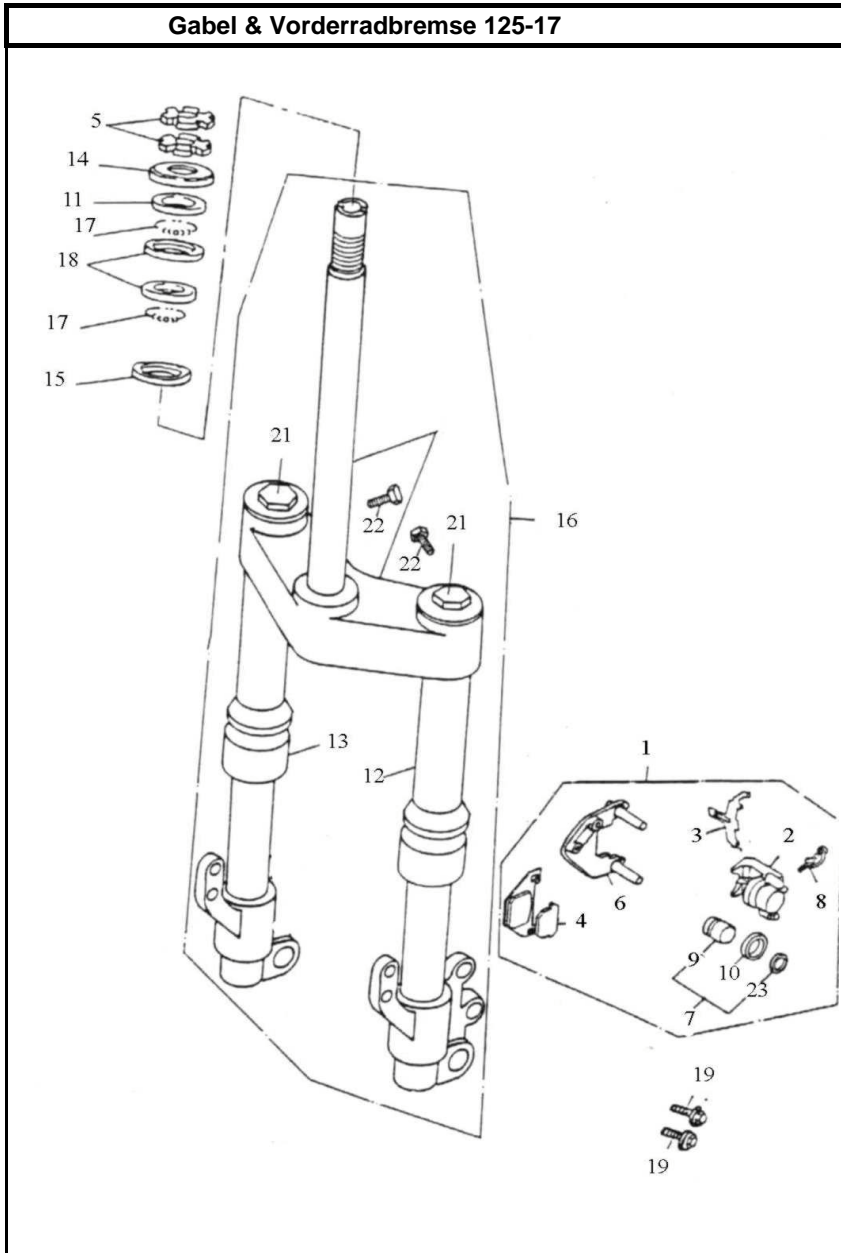
Pos.	Teile Nr.	STK	Beschreibung	Anmerk.
1	55100-116-000	1	OIL TANK	
2	55105-101-000	1	OIL TANK CAP	
3	92000-06018-10	2	HEX BOLT	6*18
4	83553-116-000	1	GROMMET	
5	17500-125-001	1	FUEL TANK COMP	
6	17620-125-000	1	FUEL TANK CAP	
7	16952-101-000	1	PETROL FILTER	
8	94400-0408050	2	TUBE	4.8*8*50
9	94510-10500	1	CLIP	10.5*1.2
10	94510-08000	9	CLIP	8*0.8
11	94050-06000	3	HEX FLANGE NUT WITH SERRATION	6mm
12	16950-116-000	1	FUEL CUP	
13	93701-06015	1	PAN FLAT HEAD PHILLIPS BOLT	6*15
14	94400-0408A300	1	TUBE	4.8*8*300
15	94400-03575	1	TUBE	3.5*7.5
16	94400-0408160	1	TUBE	4.8*8*160

# ADLY HERKULES

# TB-50

# MODELLJAHR 2004

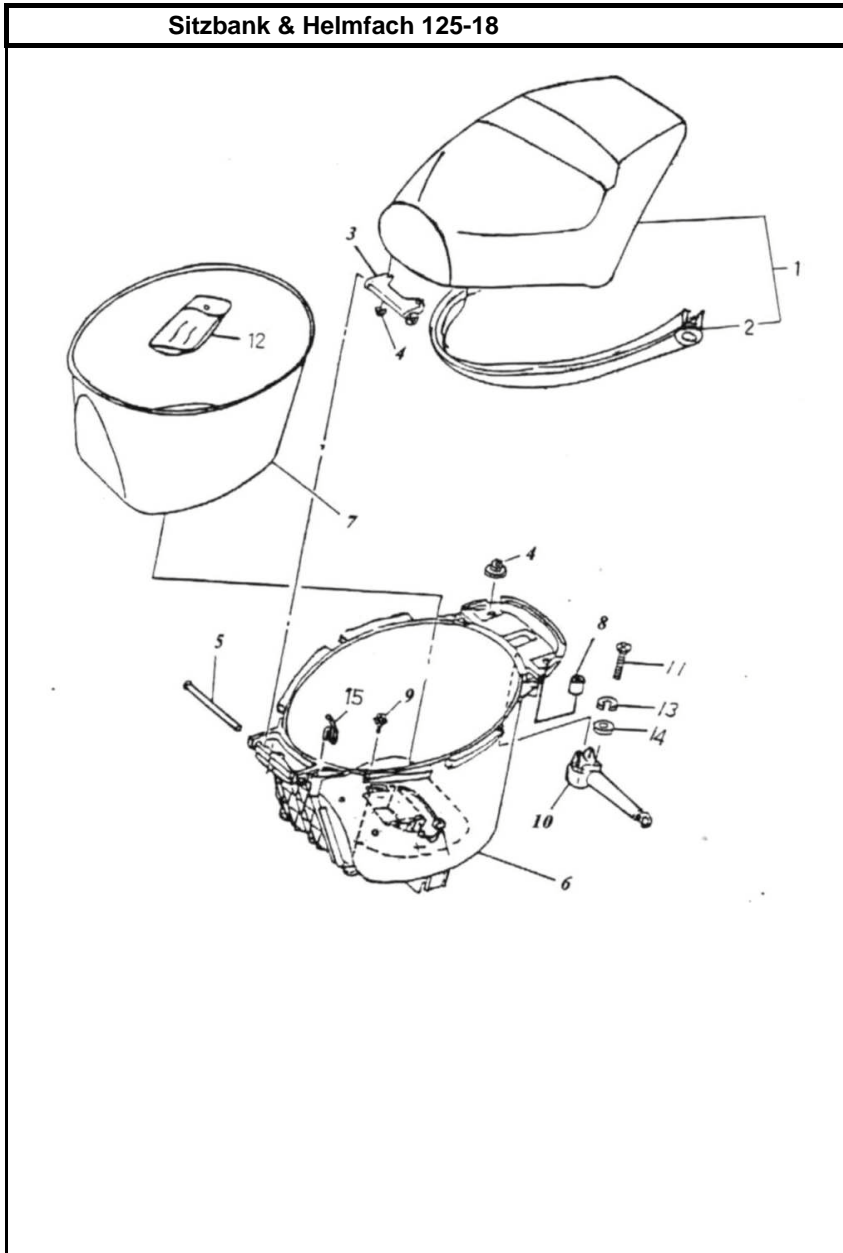
## Gabel & Vorderradbremse 125-17



Pos.	Teile Nr.	STK	Beschreibung	Anmerk.
1	45000-125-000	1	FRONT BRAKE CALIPER ASS'Y(LEFT)	
2	45010-125-000	2	BRAKE CALIPER	
3	45025-119-000	2	SNUBBER SUPPORT	
4	45120-119-000	2	BRAKE PAD	
5	43001-125-00A	1	BRACKET CALIPER(RIGHT)	
6	43001-125-000	1	BRACKET CALIPER(LEFT)	
7	92000-10036-14	2	HEX BOLT	10*36
8	45040-125-000	2	CALIPER PISTOW ASS'Y	
9	45031-107-000	2	BREED SCREW KIT	
10	45046-125-000	2	CALIPER PISTOW	
11	45041-119-000	2	CALIPER SEAL	
12	45000-125-00A	1	FRONT BRAKE CALIPER ASS'Y(RIGHT)	
13	53030-125-00A	1	RIGHT TUBE ASS,Y	
14	53130-125-00A	1	LEFT TUBE ASS,Y	
15	50301-101-000	1	STEER ING STEM DUST COVER	
16	53215-101-000	1	RACE,BALL #5	
17	51100-125-00B	1	FRONT FORK ASS'Y	374,2
18	96211-101-000	2	STEEL BALL	
19	53213-101-000	2	LATHE STRG INNER #3	
20	94071-25000	2	SPANER NUT	25mm
21	53212-101-000	1	LATE CONE STRG TOP #2	
22	96000-08034-12	4	HEX WASHER FACE BOLT	8*34
23	51109-125-000	1	STEERING STEM WITH BRACKET ASSY	
24	92000-10022-17	2	HEX BOLT	10*22
25	45042-125-000	2	CALIPER OIL SEAL	

# ADLY HERKULES

## Sitzbank & Helmfach 125-18



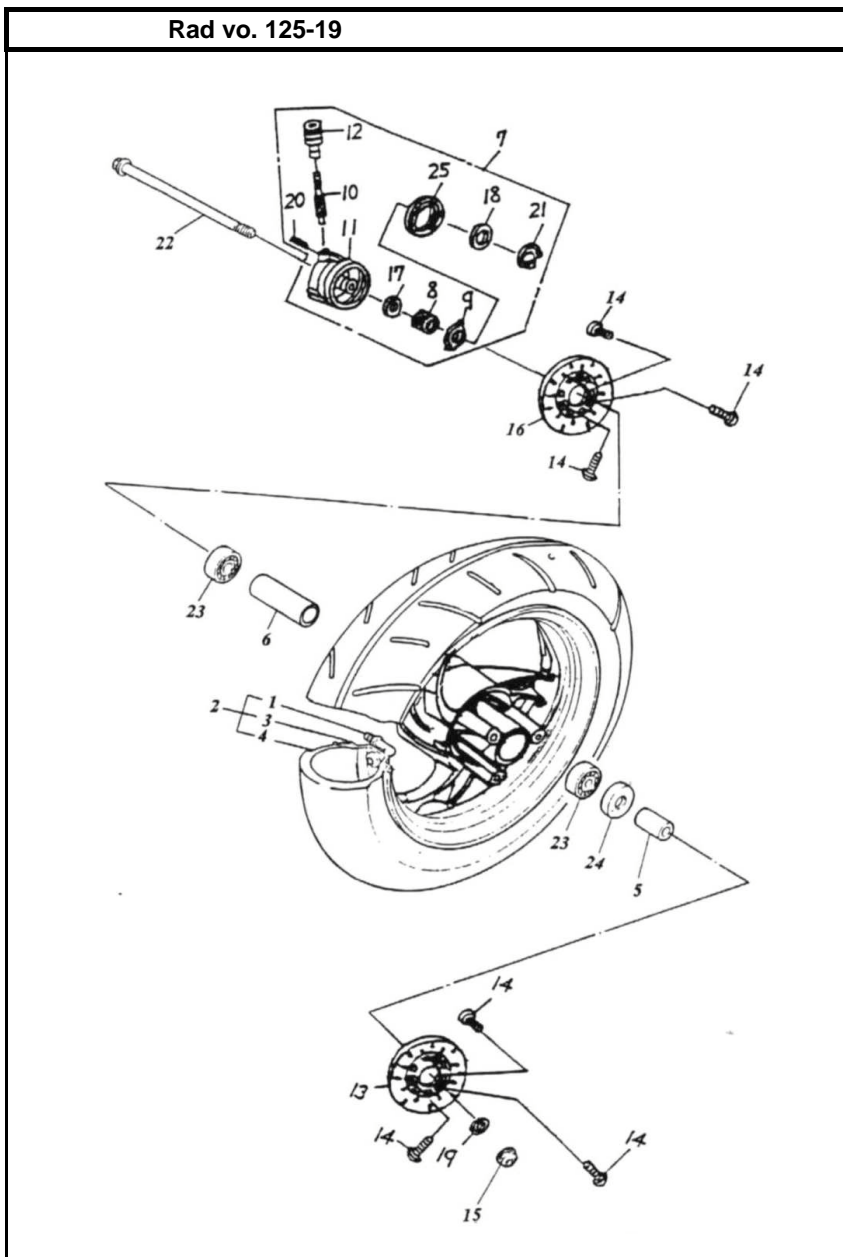
# TB-50

# MODELLJAHR 2004

Pos.	Teile Nr.	STK	Beschreibung	Anmerk.
1	77200-125-000	1	SEAT ASS'Y	
2	77209-116-000	1	SEAL	
3	77201-116-000	1	SEAT BRACKET	
4	94050-06000	4	HEX FLANGE NUT WITH SERRATION	6mm
5	77203-116-000	1	SEAT FIX SHAFT	10*115
6	77207-116-001	1	HELMET BOX	
7	77208-116-000	1	HELMET BOX MAT	
8	81203-116-000	2	SPACE TUBE	6.5*12*7
9	92000-06018-10	2	HEX BOLT	6*18
10	77230-116-000	1	SEAT LOCK ASS'Y	
11	93500-06035	2	PAN PHILLIPS BOLT	6*35
12	50120-101-000	1	TOOL BAG	
13	94111-0612015	2	SPRING WASHER	6*12*1.5
14	94101-0613010	2	PLAIN WASHER	6*13*1
15	77106-125-000	1	HELMET HOOK	

# ADLY HERKULES

Rad vo. 125-19



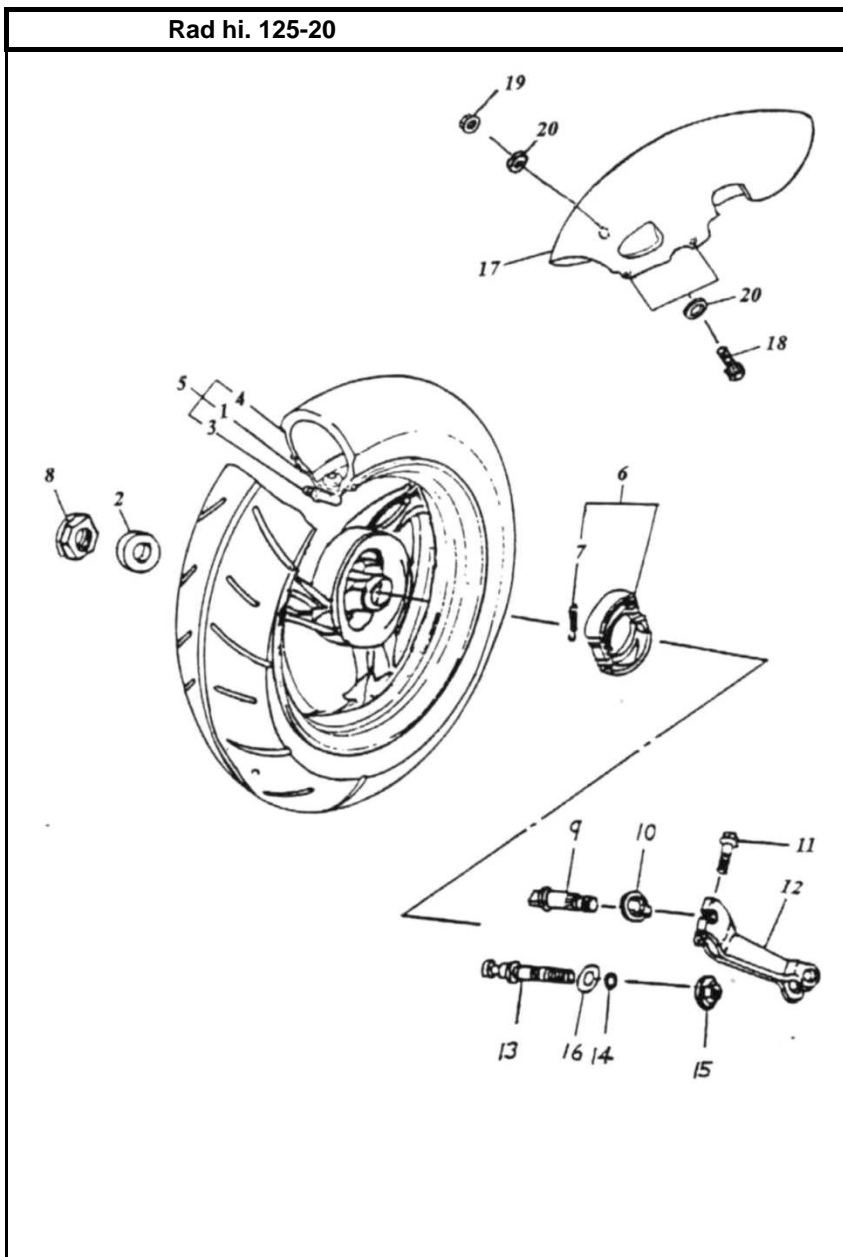
# TB-50

# MODELLJAHR 2004

Pos.	Teile Nr.	STK	Beschreibung	Anmerk.
1	42616-104-000	1	AIR NOZZLE	
2	42700-125-000	1	FRONT WHEEL SET	
3	42701-125-000	1	AL.FRONT RIM	AL. 12"
4	42711-121-000	1	FRONT/REAR TIRE	120/70-12
5	44311-125-000	1	FRONT COLLAR	10.2*17*25
6	44620-125-000	1	FRONT SPACER TUBE	16*80.6
7	44806-110-000	1	SPEEDOMETER GEAR ASS'Y	
8	44811-110-000	1	SPEEDOMETER MAIN GEAR	16T
9	44812-107-000	1	SPEEDOMETER GEAR BRACKET	
10	44813-107-000	1	SPEEDOMETER SECONDARY GEAR	8T
11	44816-107-000	1	SPEEDOMETER GEAR EXTERNAL COVER	
12	44818-107-000	1	SPEEDOMETER GEAR COPPER HEAD	
13	45015-119-000	1	FRONT BRAKE DISC	f 190
14	45016-107-000	6	BRAKE DISC HEX SOCKET BOLT	10*20
15	90350-10000	1	NUT NYLON	10mm*1.25
16	45013-125-000	1	FRONT BRAKE DISC(RIGHT)	f 190
17	94101-1622010	1	PLAIN WASHER	16.5*22*1
18	94101-1628010	1	PLAIN WASHER	16.5*28*1
19	94101-1022015	1	PLAIN WASHER	10*22*1.5
20	94305-20140	1	SPLIT SPRING PIN	2*14
21	94511-1600S	1	EXTERNAL CIRCLIP	STW-16
22	96000-10230-14	1	HEX WASHER FACE BOLT	10*230
23	96100-6300Z	2	RADIAL BALL BEARING	6300Z
24	96500-17357	1	OIL SEAL	TC 17*35*7
25	96500-40526	1	OIL SEAL	40*52*6

# ADLY HERKULES

Rad hi. 125-20



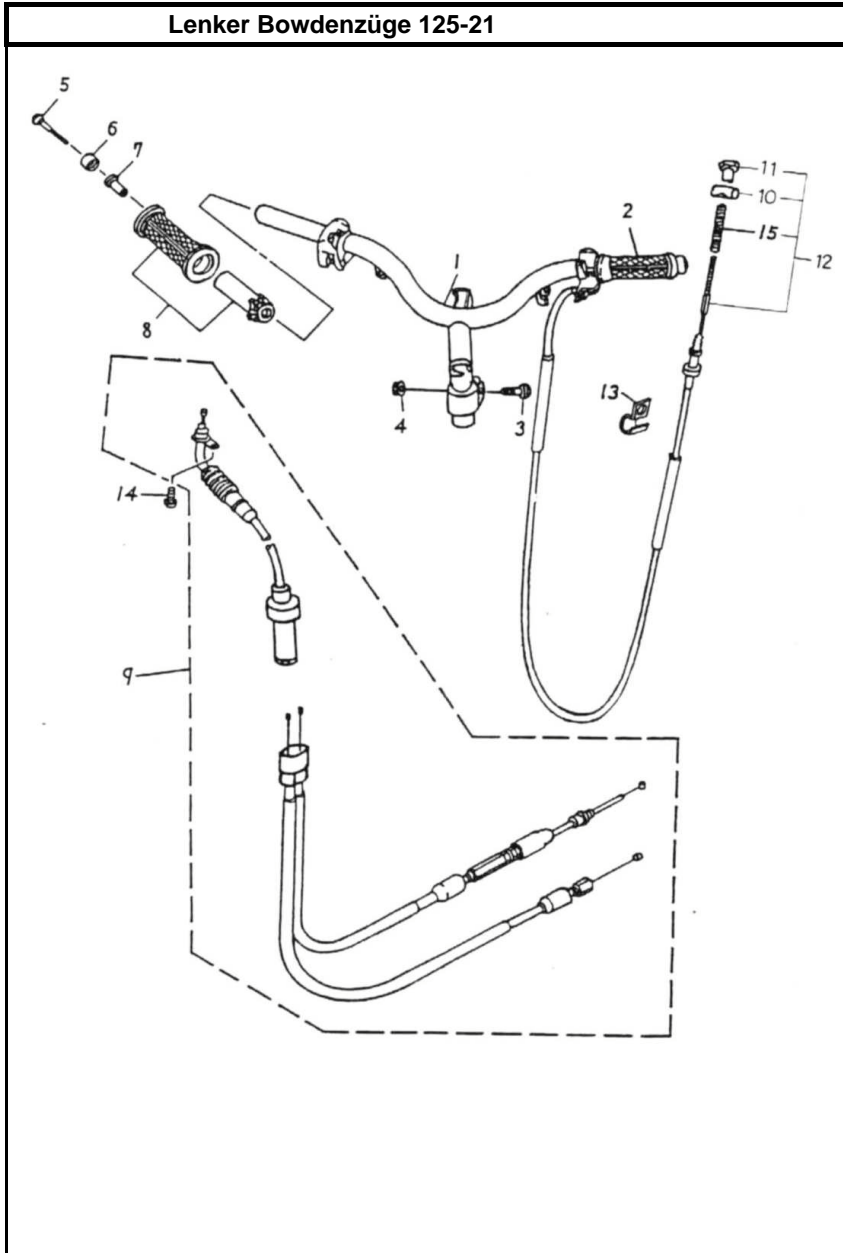
# TB-50

# MODELLJAHR 2004

Pos.	Teile Nr.	STK	Beschreibung	Anmerk.
1	42801-125-000	1	AL.REAR RIM	AL. 12"
2	94101-1529030	1	PLAIN WASHER	15*29*3
3	42616-104-000	1	AIR NOZZLE	
4	42711-121-000	1	FRONT/REAR TIRE	120/70-12
5	42812-125-000	1	REAR WHEEL SET	
6	43120-104-000	1	REAR BRAKE SHOE ASS'Y	
7	43151-104-000	2	REAR BRAKE SHOE STRAIN SPRING	
8	90350-14000	1	NYLON NUT	14mm
9	43141-101-001	1	BRAKE CAM SHAFT	
10	43145-104-000	1	INDICATOR PLATE	
11	96000-06030-10	1	HEX WASHER FACE BOLT	6*30
12	43410-116-000	1	REAR BRAKE ARM	
13	45110-116-000	1	REAR BRAKE FIX SHAFT	
14	91307-101-000	1	OIL RING	7.5*1.5
15	94050-08000	1	HEX FLANGE NUT WITH SERRATION	8mm
16	94101-0815015	1	PLAIN WASHER	8*15*1.5
17	80115-125-000	1	REAR FENDER	
18	91000-06015	2	HEX SOCKET BOLT	6*15
19	94050-06000	2	HEX FLANGE NUT WITH SERRATION	6mm
20	94101-0615010	3	PLAIN WASHER	6*15*1

# ADLY HERKULES

## Lenker Bowdenzüge 125-21



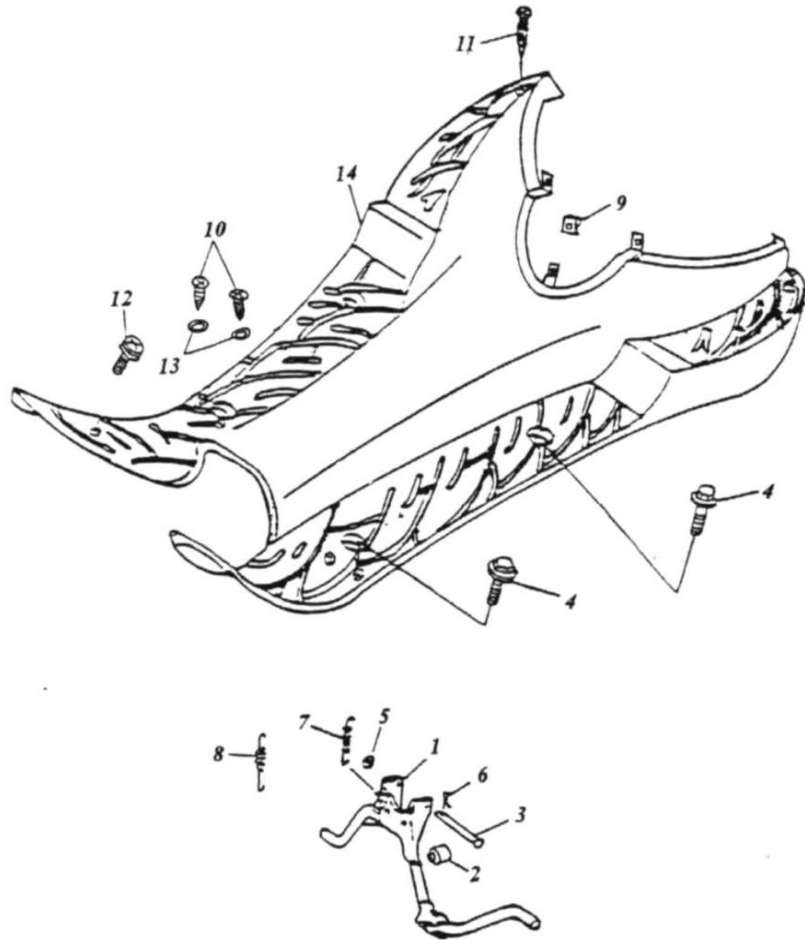
# TB-50

# MODELLJAHR 2004

Pos.	Teile Nr.	STK	Beschreibung	Anmerk.
1	53100-125-000	1	HANDLE BAR	
2	53166-107-000	1	L.HANDLE GRIP	
3	96000-10045-14	1	HEX WASHER FACE BOLT	10*45
4	94050-10000	1	HEX FLANGE NUT WITH SERRATION	10mm
5	93902-06045	2	FLAT HEAD PHILLIPS BOLT	6*45
6	53116-107-000	2	GRIP END	
7	53111-107-000	2	GRIP END SPACER TUBE	8.5*12/18*23
8	53165-107-000	1	R.HANDLE GRIP COMP	
9	17910-116-000	1	THROTTLE CABLE	
10	95015-31001	1	REAR BRAKE FIXTURE	12*22
11	95015-41000	1	REAR BRAKE ADJUST NUT	6mm
12	43450-125-000	1	REAR BRAKE CABLE ASS'Y	
13	11351-120-00A	1	CLAMP	
14	93500-05010	1	PAN PHILLIPS BOLT	5*10
15	43472-110-00A	1	RESET SPRING	140mm

# ADLY HERKULES

## Ständer & Trittbrett 125-22



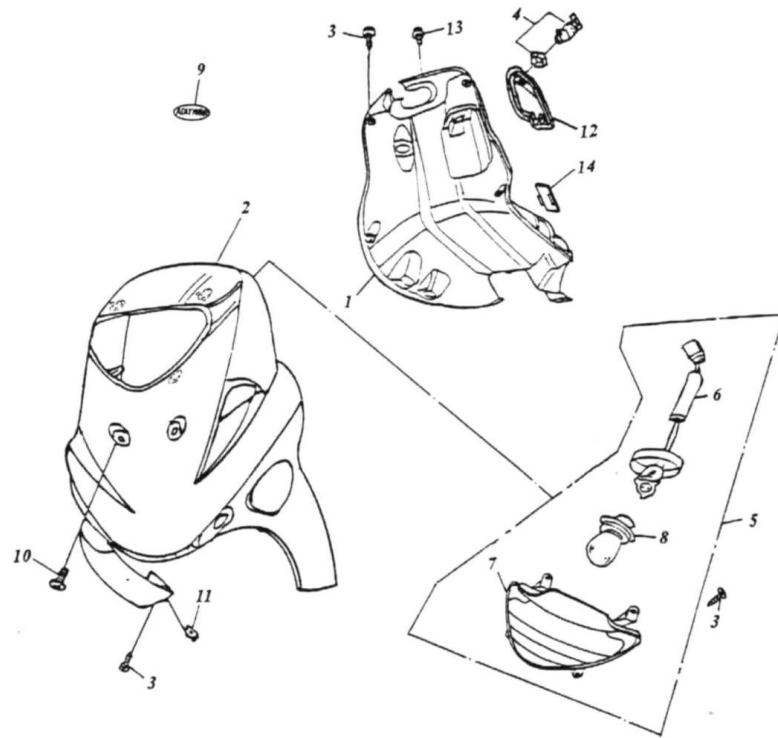
# TB-50

# MODELLJAHR 2004

Pos.	Teile Nr.	STK	Beschreibung	Anmerk.
1	50500-125-000	1	MAIN STAND COMP	
2	95011-101-000	1	RUBBER	
3	50503-116-000	1	MAIN STAND FIX SHAFT	10*76.8
4	92000-06018-10	4	HEX BOLT	6*18
5	94101-1018005	1	PLAIN WASHER	10.5*18*0.5
6	94201-20250	1	COTTER PIN	2*25
7	95014-71602	1	MAIN STAND RESET SPRING	
8	95014-71602-0A	1	MAIN STAND RESET SMALL SPRING	
9	90344-04000	1	U PLATE NUT	4mm
10	93903-05016	4	TAPPING SCREW TRUSS HEAD PHILLIPS	5*16
11	93903-04035	2	TAPPING SCREW TRUSS HEAD PHILLIPS	4*35
12	93800-06020	2	PAN PHILPS BOLT	6*20
13	94101-0615010	4	PLAIN WASHER	6*15*1
14	64310-125-000	1	FLOOR PANEL	

# ADLY HERKULES

Verkleidung vo. 125-23



# TB-50

# MODELLJAHR 2004

Pos.	Teile Nr.	STK	Beschreibung	Anmerk.
1	81131-125-000	1	INNEX BOX	
2	64301-125-000	1	FRONT COVER	Farbe angeben
3	93903-05016	14	TAPPING SCREW TRUSS HEAD PHILLIPS	5*16
4	81142-101-000	1	INNER BOX LOCK	
5	33100-125-000	1	HEAD LIGHT ASS'Y (E-MARK)	
6	34801-125-000	1	HEAD LIGHT WIRE	
7	33110-125-000	1	HEAD LIGHT COVER (E-MARK)	
8	34901-110-00A	1	HEAD LIGHT BULB (E-MARK)	12V35W35W
9	87703-125-000	1	ADLY POLI MARK	
10	93800-06020	3	PAN PHILPS BOLT	6*20
11	90344-04000	2	U PLATE NUT	4mm
12	81141-125-000	1	INNER BOX LID	
13	92000-06018-10	1	HEX BOLT	6*18
14	81134-125-000	1	FRAME NUMBER COVER	

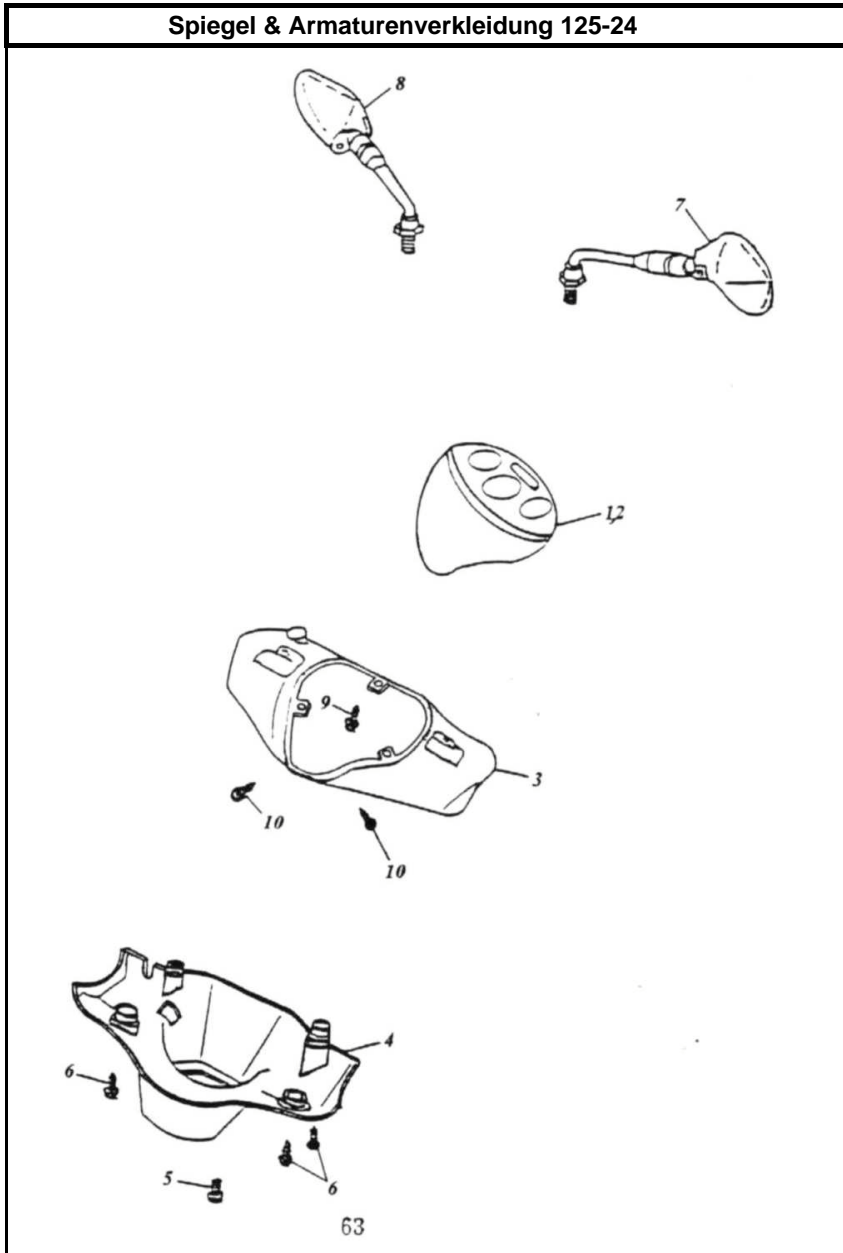


# ADLY HERKULES

# TB-50

# MODELLJAHR 2004

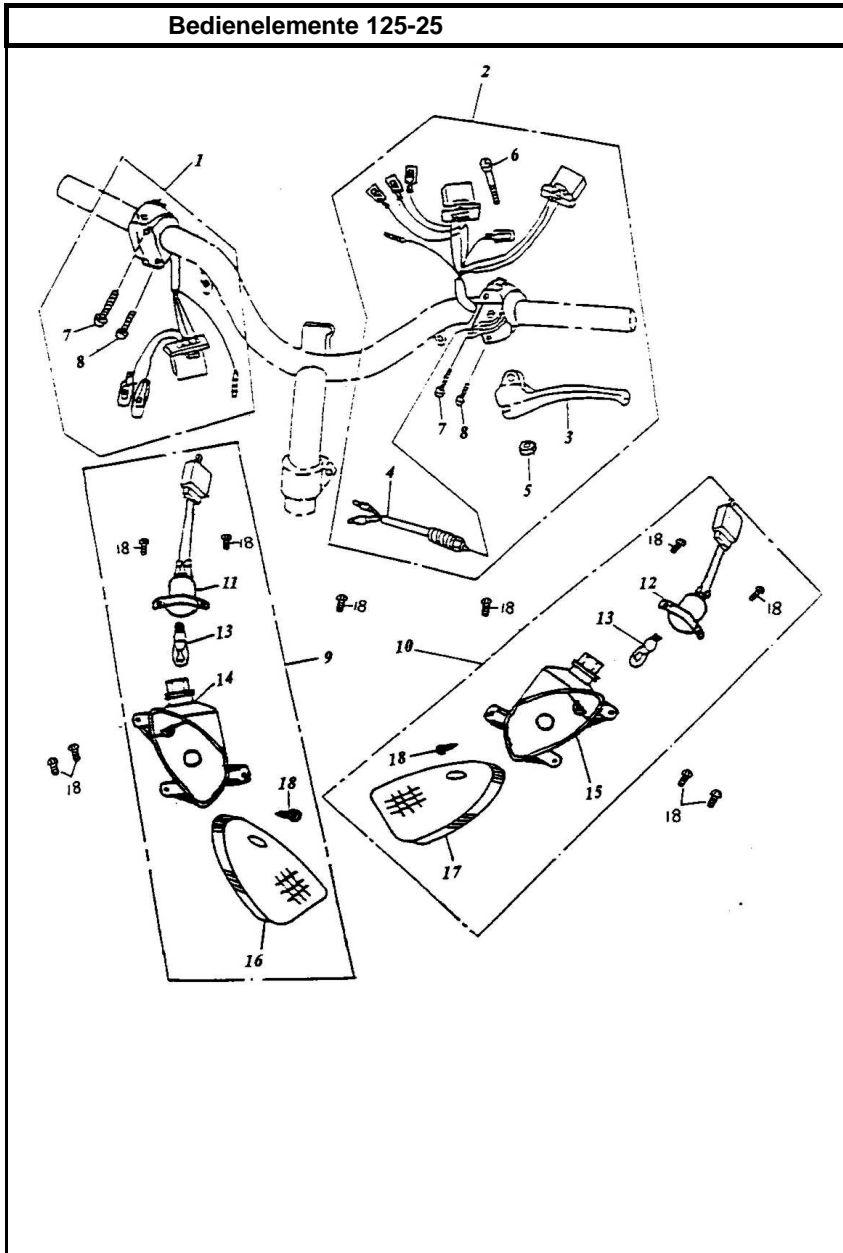
## Spiegel & Armaturenverkleidung 125-24



Pos.	Teile Nr.	STK	Beschreibung	Anmerk.
1	64212-125-000	1	TRIM.SPEEDOMETER LID	
2	64212-125-00B	1	TRIM SPRDOMETERLID(CARBON)	CUBIC PRINTING
3	53211-125-000	1	SPEEDOMETER UP LID	
4	53205-125-000	1	SPEEDOMTER DOWN LID	
5	93500-05012	1	PAN PHILLIPS BOLT	5*12
6	93903-05016	4	TAPPING SCREW TRUSS HEAD PHILLIPS	5*16
7	88110-125-001	1	R.REAR VIEW MIRROR	
8	88120-125-001	1	L.REAR VIEW MIRROR	
9	93903-04012	1	TAPPING SCREW TRUSS HEAD PHILLIPS	4*12
10	93903-04016	2	TAPPING SCREW TRUSS HEAD PHILLIPS	4*16

# ADLY HERKULES

## Bedienelemente 125-25



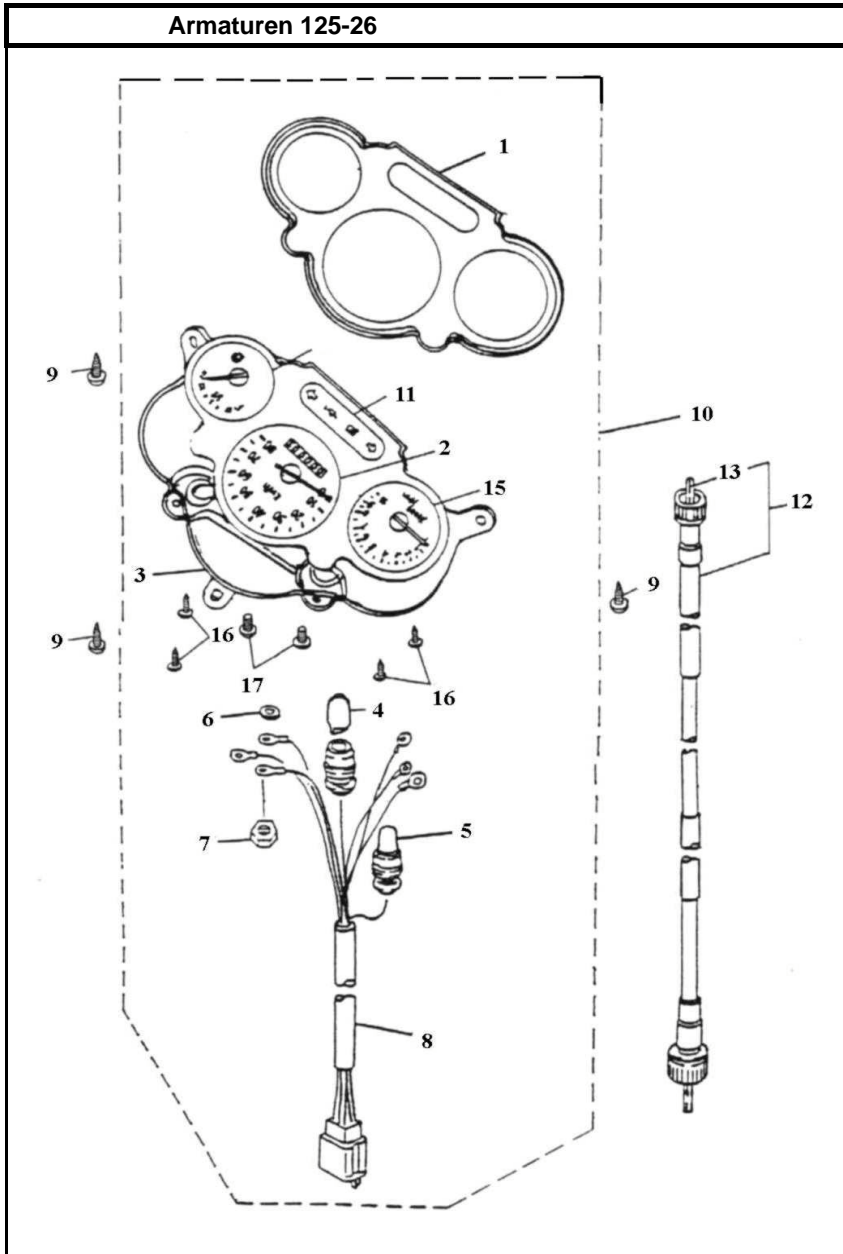
# TB-50

# MODELLJAHR 2004

Pos.	Teile Nr.	STK	Beschreibung	Anmerk.
1	35150-125-000	1	R.HANDLE SWITCH ASS'Y	
2	35200-125-000	1	L.HANDLE SWITCH ASS'Y	
3	53178-125-000	1	LEFT SIDE LEVER	
4	35345-111-000	1	L.BRAKE SWITCH WIRE	
5	90350-05000	1	NYLON INSERT LOCK NUT	5mm
6	90116-107-000	1	LEFT LEVER SET BOLT	5*23
7	93500-05035	2	PAN PHILLIPS BOLT	5*35
8	93500-05025	2	PAN PHILLIPS BOLT	5*25
9	33400-125-000	1	R.SIGNAL ASS'Y (E-MARK)	
10	33450-125-000	1	L.SIGNAL ASS'Y(E-MARK)	
11	33425-125-000	1	R.SIGNAL BULB SOCKET	
12	33435-125-000	1	L.SIGNAL BULB SOCKET	
13	34905-118-000	2	BULB (E-MARK)	12V/10W
14	33401-125-000	1	R.SIGNAL SOCKET	
15	33451-125-000	1	L.SIGNAL SOCKET	
16	33402-125-000	1	R.SIGNAL COVER (E-MARK)	
17	33452-125-000	1	L.SIGNAL COVER (E-MARK)	
18	93903-03012	12	TAPPING SCREW TRUSS HEAD PHILLIPS	3*12

# ADLY HERKULES

Armaturen 125-26



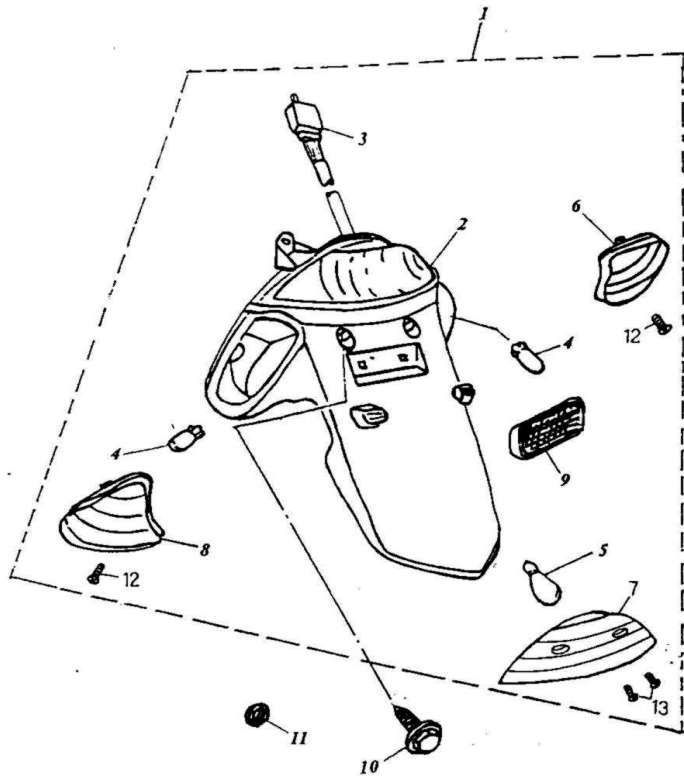
# TB-50

# MODELLJAHR 2004

Pos.	Teile Nr.	STK	Beschreibung	Anmerk.
1	37230-125-000	1	SPEEDOMETER GLASS	
2	37220-125-000	1	SPEEDOMETER BODY	
3	37210-125-000	1	SPEEDOMETER CASE	
4	34908-125-000	4	METER BULB	12V/1.7W
5	34908-101-00A	2	METER BULB	12V/3.4W
6	94101-0306006	6	PLAIN WASHER	3*6*0.6
7	94001-03000	6	HEX NUT	3mm
8	37250-125-000	1	SPEEDOMETER WIRE HARNESS	
9	93903-05016	3	TAPPING SCREW TRUSS HEAD PHILLIPS	5*16
10	37200-125-00B	1	SPEEDOMETER ASS'Y-KPH R.P.M	
11	37225-125-000	1	INDICATOR PLATE	
12	44830-125-000	1	SPEEDOMETER CABLE	
13	44840-125-000	1	SPEEDOMETER INNER CABLE	
14	37222-125-000	1	OIL METER	
15	37223-125-000	1	R.P.M METER	
16	93903-04012	4	TAPPING SCREW TRUSS HEAD PHILLIPS	4*12
17	93000-04008	2	ROUND PHILLPS BOLT	4*8

# ADLY HERKULES

## Rücklicht & Hinterbau 125-27



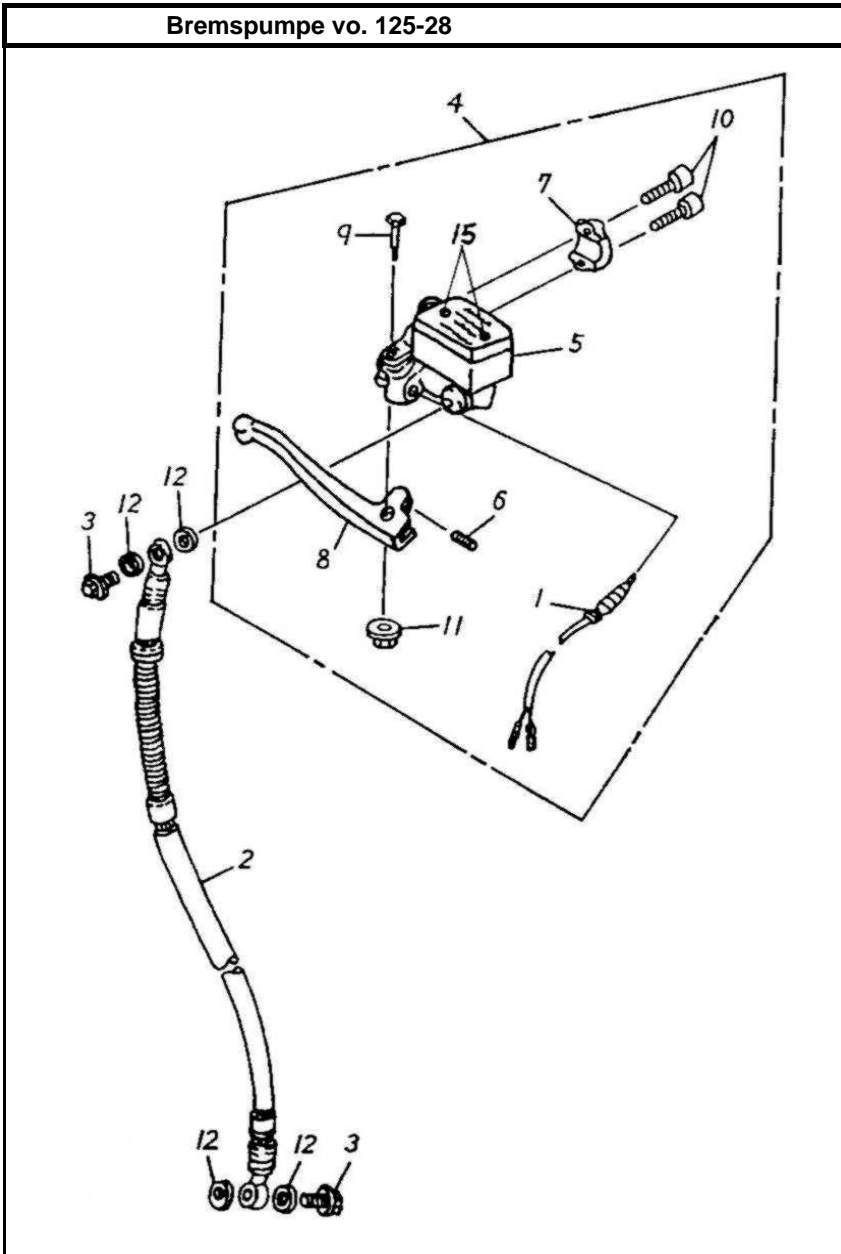
# TB-50

# MODELLJAHR 2004

Pos.	Teile Nr.	STK	Beschreibung	Anmerk.
1	33700-125-000	1	TAIL LIGHT ASSY (E-MARK)(REV.1)	
2	33711-125-000	1	REAR LIGHT SOCKET & WIRENESS	
3	33712-125-000	1	WIRENESS REAR LIGHT	
4	34905-118-000	2	BULB (E-MARK)	12V/10W
5	34906-105-00A	1	TAIL LIGHT BULB (E-MARK)	12V21/5W
6	33730-125-000	1	REAR RIGHT SIGNAL LENS (E-MARK)	
7	33702-125-000	1	TAIL LIGHT LENS (E-MARK)	
8	33735-125-000	1	REAR LEFT SIGNAL LENS (E-MARK)	
9	33741-125-000	1	REFLECTOR (E-MARK)	
10	92000-06018-10	2	HEX BOLT	6*18
11	94050-06000	2	HEX FLANGE NUT WITH SERRATION	6mm
12	93903-03016	2	TAPPING SCREW TRUSS HEAD PHILLIPS	3*16
13	93903-03012	2	TAPPING SCREW TRUSS HEAD PHILLIPS	3*12

# ADLY HERKULES

Bremppumpe vo. 125-28



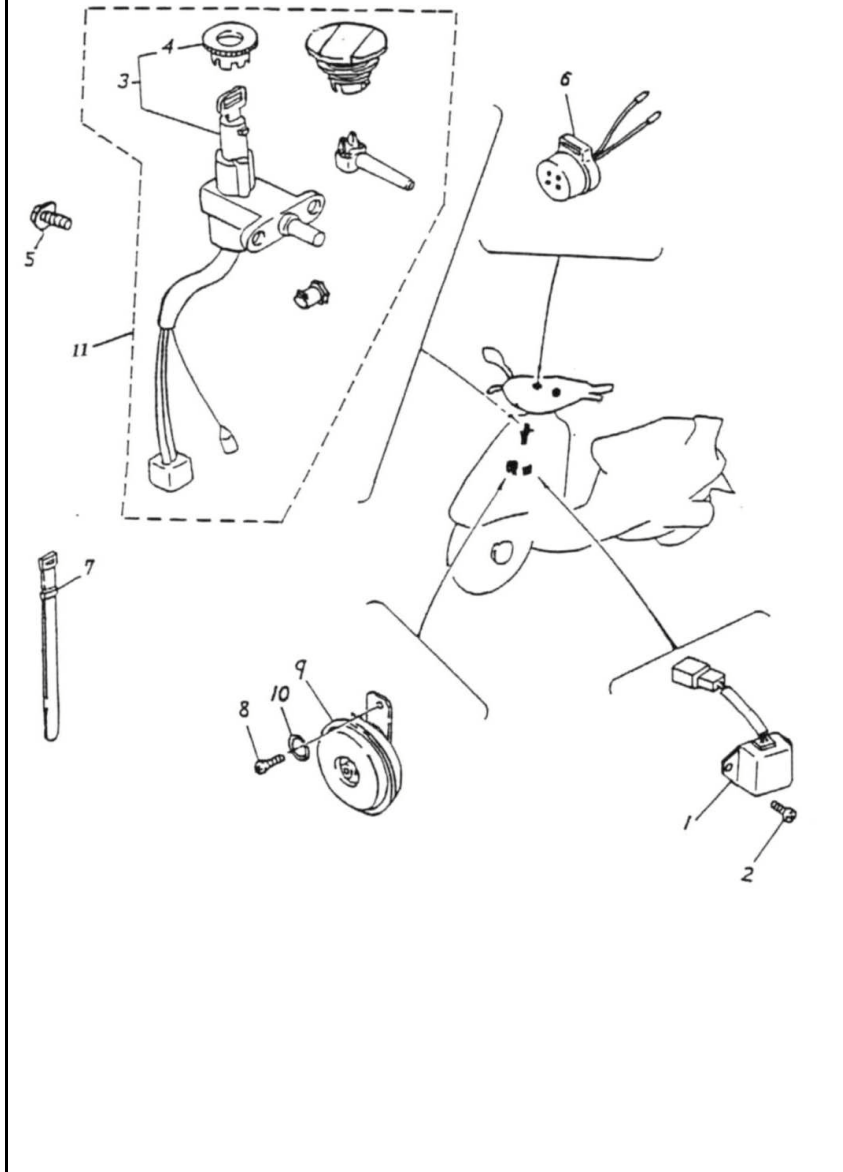
# TB-50

# MODELLJAHR 2004

Pos.	Teile Nr.	STK	Beschreibung	Anmerk.
1	35340-107-000	1	R.BRAKE SWITCH WIRE	
2	45450-111-000	1	BRAKE HOSE	
3	45456-107-000	2	BRAKE HOSE HEX BOLT	10*22
4	45500-125-00A	1	MASTER CYLINDER SUB ASSY	
5	45510-107-000	1	MASTER CYLINDER SUB	
6	45515-107-000	1	LEVER RESET SPRING	
7	53174-107-000	1	MASTER CYLINDER BRACKET	
8	53175-125-000	1	RIGHT LEVER	
9	90115-107-000	1	RIGHT LEVER SET BOLT	6*30
10	91000-06025	2	HEX SOCKET BOLT	6*25
11	94050-06000	1	HEX FLANGE NUT WITH SERRATION	6mm
12	94101-1014510	12	COPPER PLAIN WASHER	10*14.5*1
13	45465-107-000	2	FLAT HEAD SCREW	4*9

# ADLY HERKULES

Elektrik -A- 125-29



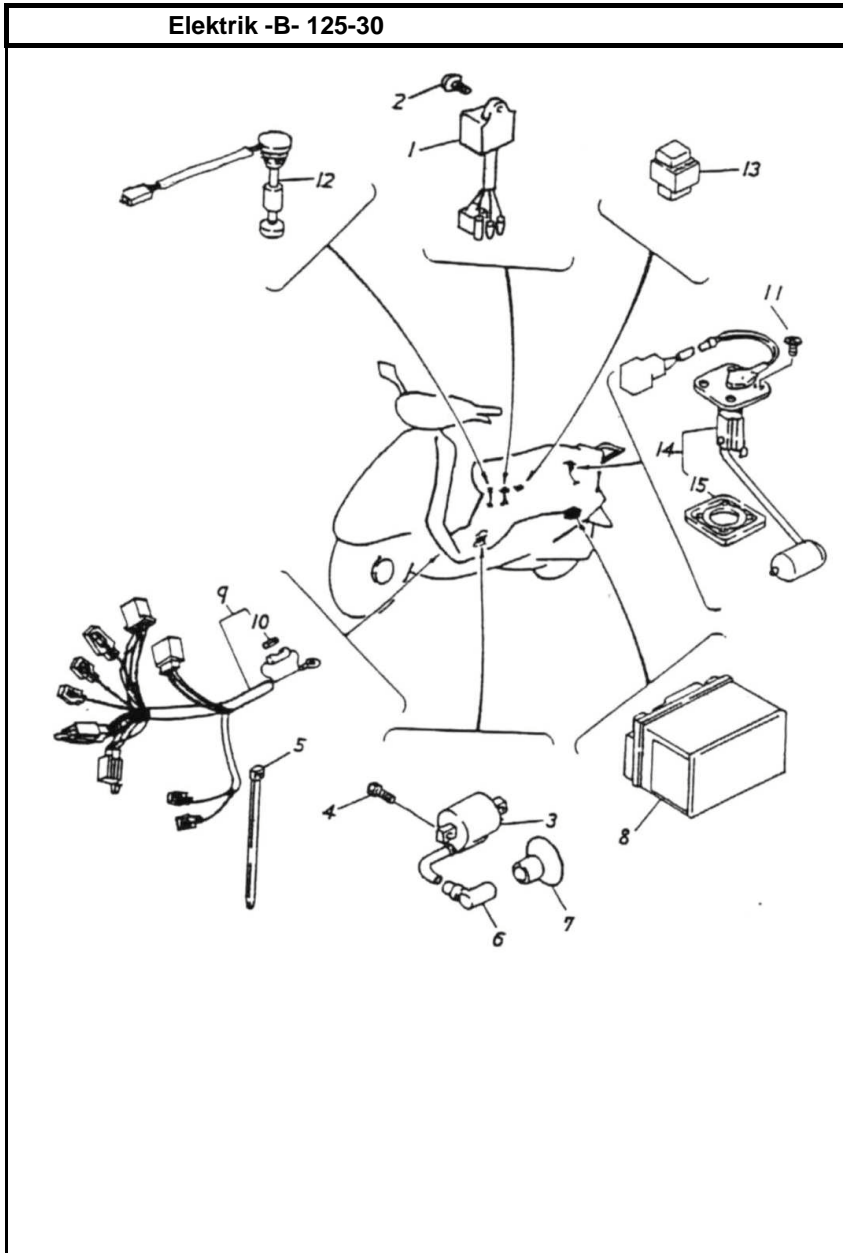
# TB-50

# MODELLJAHR 2004

Pos.	Teile Nr.	STK	Beschreibung	Anmerk.
1	31600-110-000	1	REGULATOR RECTIFIER	
2	93500-05012	1	PAN PHILLIPS BOLT	5*12
3	35100-125-000	1	MAIN SWITCH ASS'Y	
4	35111-118-000	1	SWITCH CAP	
5	92000-06018-10	2	HEX BOLT	6*18
6	38301-107-000	1	FLASHER RELAY	12V
7	90669-101-00A	1	ZIP TIE	4.8*250m/m
8	93500-06012	1	PAN PHILLIPS BOLT	6*12
9	38110-101-001	1	HORN (E-MARK)	12V
10	94111-0612015	1	SPRING WASHER	6*12*1.5
11	35010-125-001	1	KEY SET	

# ADLY HERKULES

Elektrik -B- 125-30



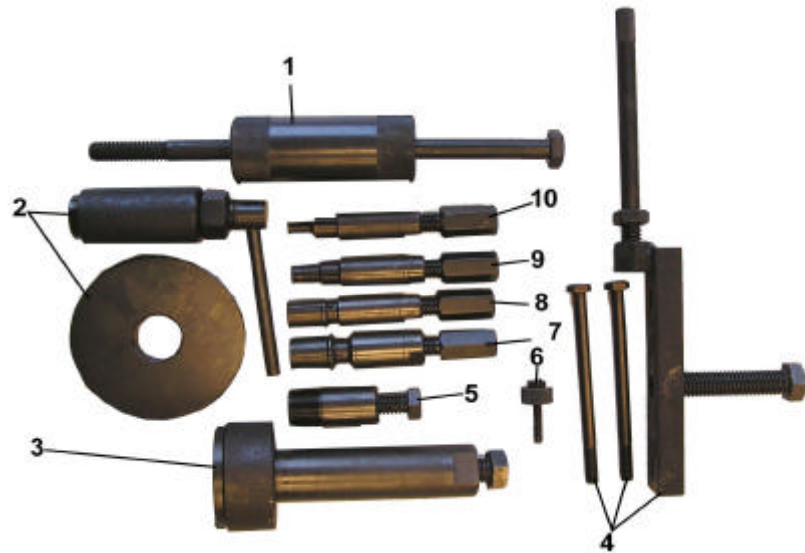
# TB-50

# MODELLJAHR 2004

Pos.	Teile Nr.	STK	Beschreibung	Anmerk.
1	30410-116-000	1	C.D.I UNIT	
2	93000-06015	1	ROUND PHILLIPS BOLT	6*15
3	30510-116-000	1	HIGH TENSION COIL	
4	93500-06020	2	PAN PHILLIPS BOLT	6*20
5	90669-101-000	4	RUBBER STRAP	4.8*200 m/m
6	30700-101-000	1	SPARK PLUG CAP	
7	30605-116-000	1	RUBBER CAP	
8	31500-116-000	1	BATTERY	12V
9	32100-125-000	1	MAIN WIRE HARNESS	
10	98200-106-000	1	FUSE	7A
11	93000-05012	4	ROUND PHILLIPS BOLT	5*12
12	35410-116-000	1	OIL LEVEL GAUGE	
13	38501-105-000	1	STARTING RELAY	
14	37800-125-000	1	PETROL GAUGE ASS'Y	
15	37801-101-000	1	FUEL LEVER GAUGE GASKET	

# ADLY HERKULES

Werkzeug & Zubehör 125-31



# TB-50

# MODELLJAHR 2004

Pos.	Teile Nr.	STK	Beschreibung	Anmerk.
1-10	TLSTSET		Wergzeugsatz ADLY Motorroller 2 Takt	
1		1	Ziehhammer für Lagerinnenauszieher	
2		1	Montagewerkzeug Kurbelgehäuse	
3		1	Abzieher Kurbelwellenlager	
4		1	Montagewerkzeug Kurbelgehäuse	
5		1	Polradabzieher	
6		1	Auszieher f. Lagerinnenauszieher	
7		1	Lagerinnenauszieher	
8		1	Lagerinnenauszieher	
9		1	Lagerinnenauszieher	
10		1	Lagerinnenauszieher	