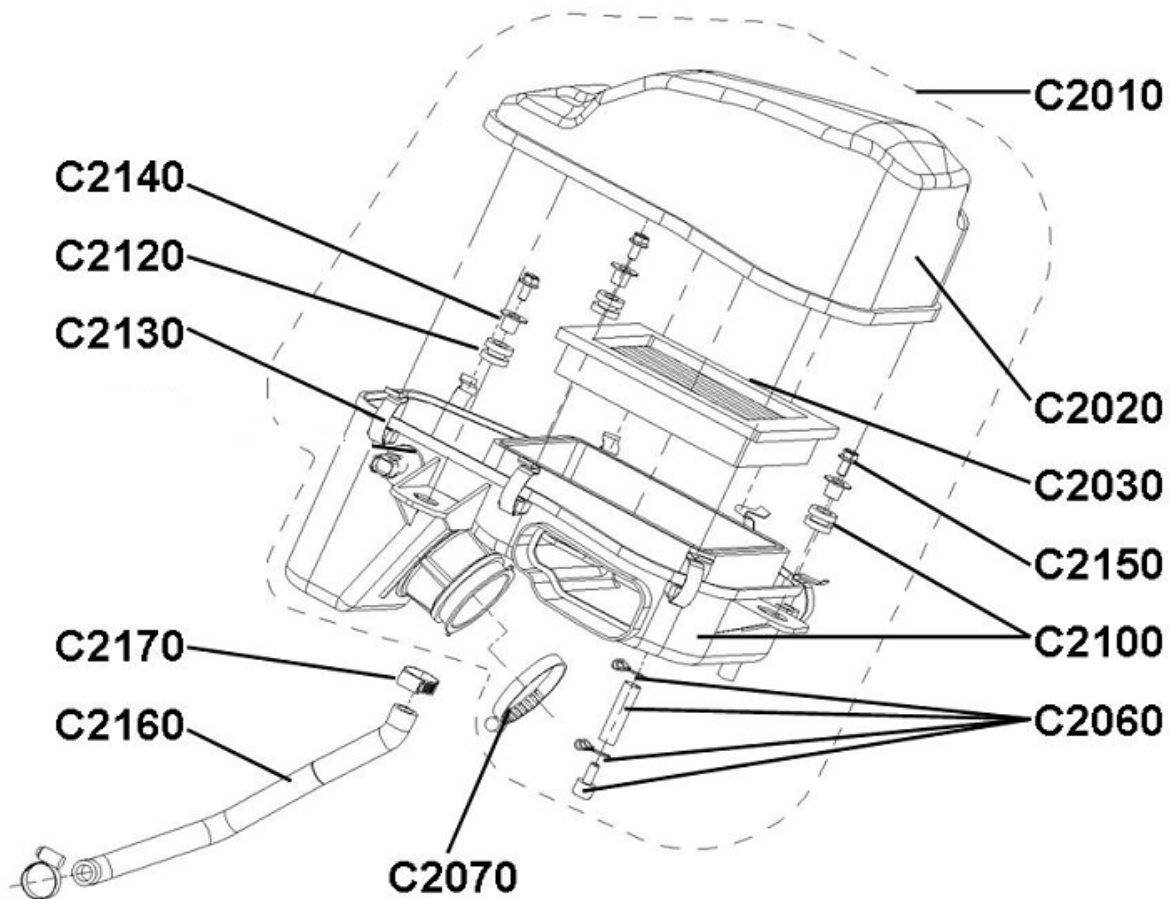


# CECTEK



**KINGCOBRA / ESTOC**  
**PARTS CATALOGUE**

## 6001. AIR INTAKE SYSTEM (KINGCOBRA &amp; ESTOC)



## APPLICATION

A Kingcobra ixd

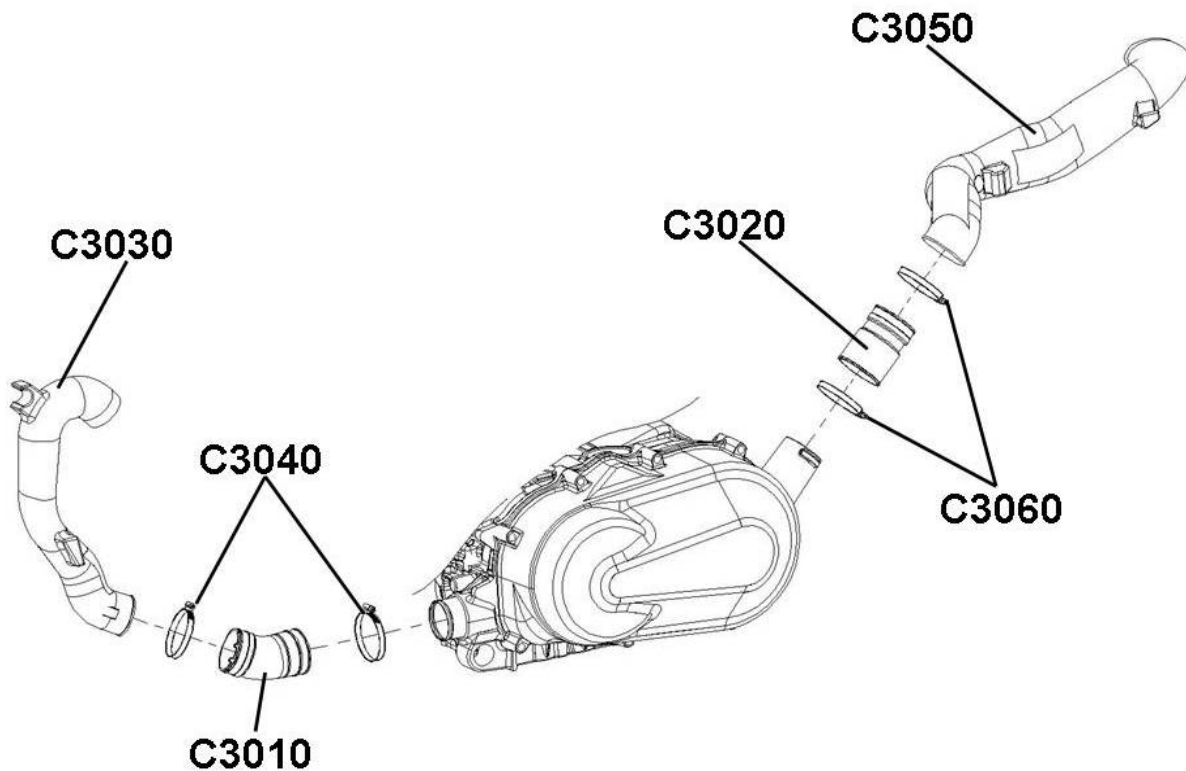
B Estoc

C Gladiator

D Quadrift

| PNC   | PART_NO      | PART_NAME                | Qty |       | REMARK | APPLICATION |   |   |   |
|-------|--------------|--------------------------|-----|-------|--------|-------------|---|---|---|
|       |              |                          | ixd | Estoc |        | A           | B | C | D |
| C2010 | 60016016     | CLEANER ASSY., AIR       | 1   | 1     |        | V           | V | V | V |
| C2020 | 60016017     | COVER, AIR/C             | 1   | 1     |        | V           | V | V | V |
| C2030 | 60016004     | ELEMENT COMP., AIR/C     | 1   | 1     |        | V           | V | V | V |
| C2060 | 60016007     | V.TUBE ASSY.             | 1   | 1     |        | V           | V | V | V |
| C2070 | 60016008     | CLAMP(φ58)               | 1   | 1     |        | V           | V | V | V |
| C2100 | 60016012     | CASE COMP., AIR/C        | 1   | 1     |        | V           | V | V | V |
| C2120 | 60016009     | GROMMET, AIR/C           | 3   | 3     |        | V           | V | V | V |
| C2130 | 60016010     | CLIP                     | 7   | 7     |        | V           | V | V | V |
| C2140 | 60016014     | COLLAR, AIR/C            | 3   | 3     |        | V           | V | V | V |
| C2150 | BFH060200884 | HEXAGON BOLT WITH FLANGE | 3   | 3     |        | V           | V | V | V |
| C2160 | 60010012     | HOSE-BLOW BY             | 1   | 1     |        | V           | V | V | V |
| C2170 | CC01602508   | CLIP                     | 2   | 2     |        | V           | V | V | V |

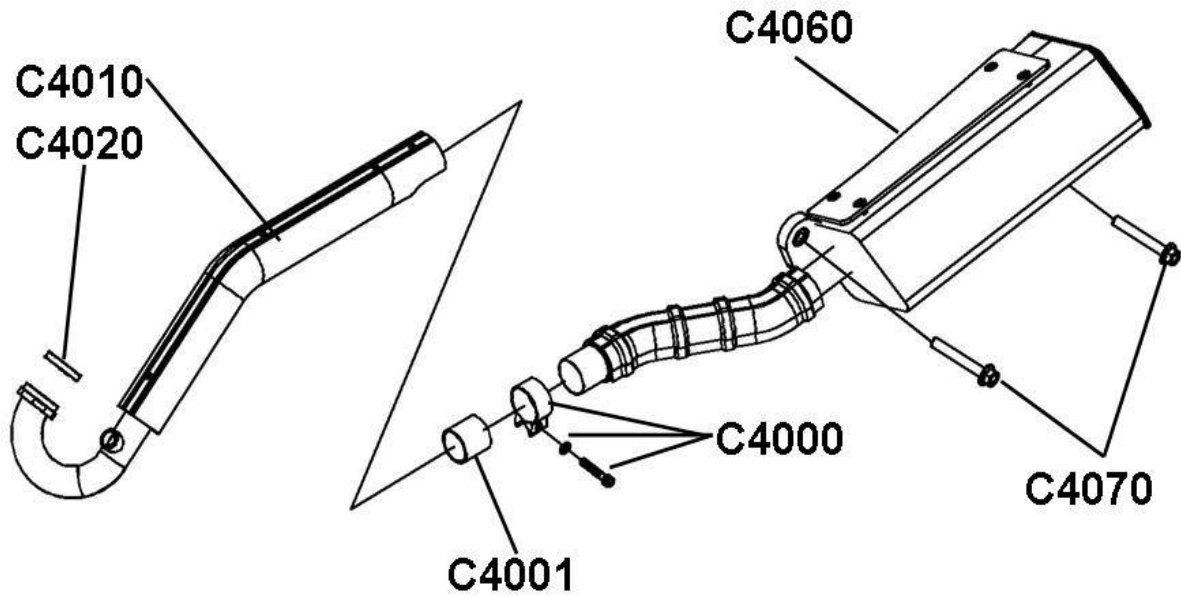
6002. BELT COOLING DUCT (KINGCOBRA & ESTOC)



**APPLICATION**  
**A Kingcobra ixd**  
**B Estoc**  
**C Gladiator**  
**D Quadrift**

| PNC   | PART_NO    | PART_NAME             | Qty |       | REMARK | APPLICATION |   |   |   |
|-------|------------|-----------------------|-----|-------|--------|-------------|---|---|---|
|       |            |                       | ixd | Estoc |        | A           | B | C | D |
| C3010 | 60020001   | FRONT CONNECTOR - CVT | 1   | 1     |        | V           | V | V | V |
| C3020 | 60020002   | REAR CONNECTOR - CVT  | 1   | 1     |        | V           | V | V | V |
| C3030 | 60020003   | INLET TUBE - CVT      | 1   | 1     |        | V           | V | V | V |
| C3040 | 42076005   | CLIP D50 - 70*W9      | 2   | 2     |        | V           | V | V | V |
| C3050 | 60020004   | OUTLET TUBE - CVT     | 1   | 1     |        | V           | V | V | V |
| C3060 | CC06008009 | CLIP                  | 2   | 2     |        | V           | V | V | V |

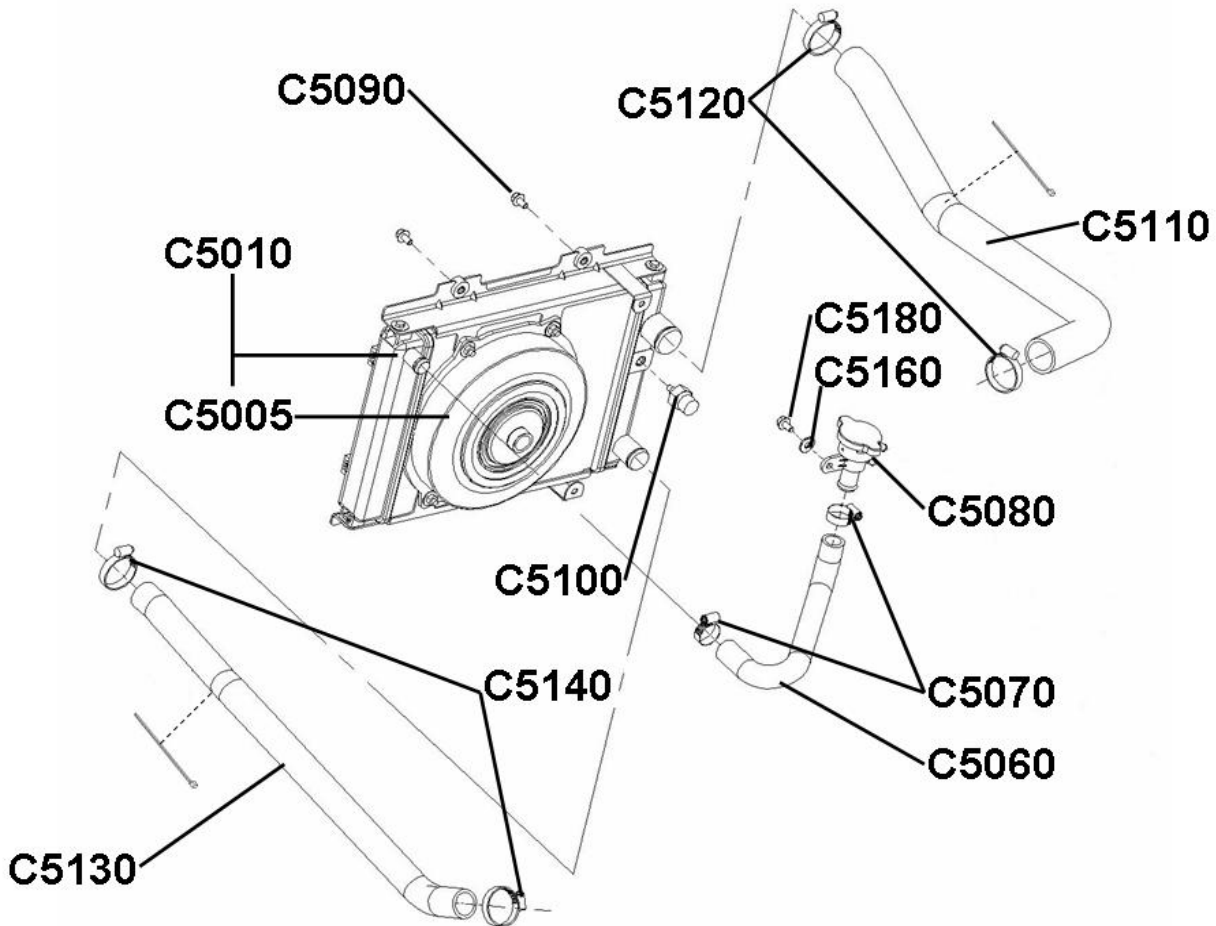
6003. EXHAUST SYSTEM (KINGCOBRA & ESTOC)



**APPLICATION**  
**A Kingcobra ixd**  
**B Estoc**  
**C Gladiator**  
**D Quadrift**

| PNC   | PART_NO      | PART_NAME                | Qty |       | REMARK | APPLICATION |   |   |   |
|-------|--------------|--------------------------|-----|-------|--------|-------------|---|---|---|
|       |              |                          | ixd | Estoc |        | A           | B | C | D |
| C4000 | 60030005     | CLIP - MUFFLER           | 1   | 1     |        | V           | V | V | V |
| C4001 | 60036004     | GASKET - MUFFLER         | 1   | 1     |        | V           | V | V | V |
| C4010 | 60038005     | EXHAUST PIPE ASSY.       | 1   | 1     |        | V           | V | X | X |
| C4020 | 60036002     | GASKET, EXHAUST PIPE     | 1   | 1     |        | V           | V | V | V |
| C4060 | 60038004     | MUFFLER ASSY.            | 1   | 1     |        | V           | V | X | X |
| C4070 | BFH080501094 | HEXAGON BOLT WITH FLANGE | 2   | 2     |        | V           | V | X | X |

## 6004-1. RADIATOR SYSTEM (KINGCOBRA &amp; ESTOC)



## APPLICATION

A Kingcobra ixd

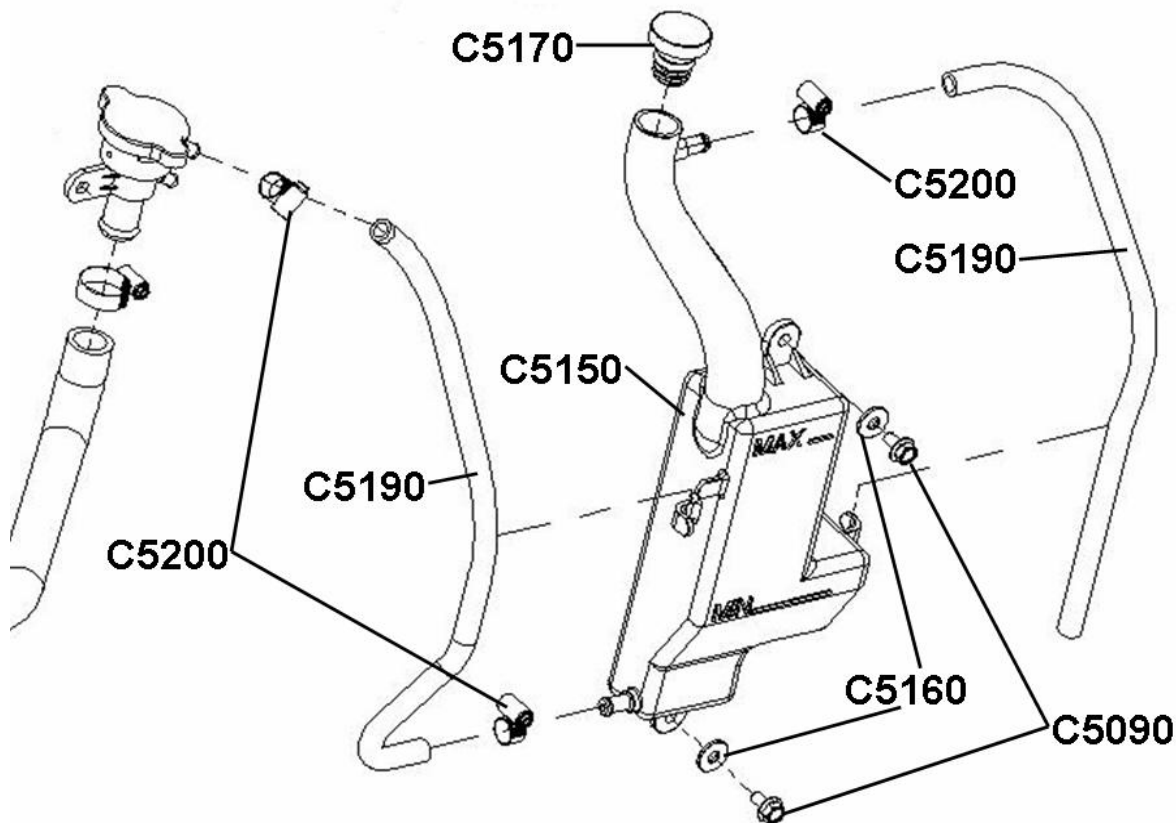
B Estoc

C Gladiator

D Quadrift

| PNC   | PART_NO      | PART_NAME                | Qty |       | REMARK | APPLICATION |   |   |   |
|-------|--------------|--------------------------|-----|-------|--------|-------------|---|---|---|
|       |              |                          | ixd | Estoc |        | A           | B | C | D |
| C5010 | 60046001     | RADIATOR ASSY.           | 1   | 1     |        | V           | V | V | V |
| C0505 | 60046006     | FAN - RADIATOR           | 1   | 1     |        | V           | V | V | V |
| C5060 | 60040016     | HOSE - RADIATOR CAP      | 1   | 1     |        | V           | V | X | X |
| C5070 | CC01602508   | CLIP                     | 2   | 2     |        | V           | V | V | V |
| C5080 | 60046002     | CAP ASSY. - RADIATOR     | 1   | 1     |        | V           | V | V | V |
| C5090 | BFH060200884 | HEXAGON BOLT WITH FLANGE | 4   | 4     |        | V           | V | V | V |
| C5100 | 60046003     | SWITCH - RADIATOR        | 1   | 1     |        | V           | V | V | V |
| C5110 | 60040004     | HOSE, RADIATOR INLET     | 1   | 1     |        | V           | V | V | V |
| C5120 | CC02504009   | CLIP                     | 2   | 2     |        | V           | V | V | V |
| C5130 | 60040005     | HOSE, RADIATOR OUTLET    | 1   | 1     |        | V           | V | V | V |
| C5140 | CC02003209   | CLIP                     | 2   | 2     |        | V           | V | V | V |
| C5160 | 60040007     | WASHER D6.5×D18×T2       | 2   | 2     |        | V           | V | V | V |
| C5180 | BFH060120882 | HEXAGON BOLT WITH FLANGE | 1   | 1     |        | V           | V | V | V |

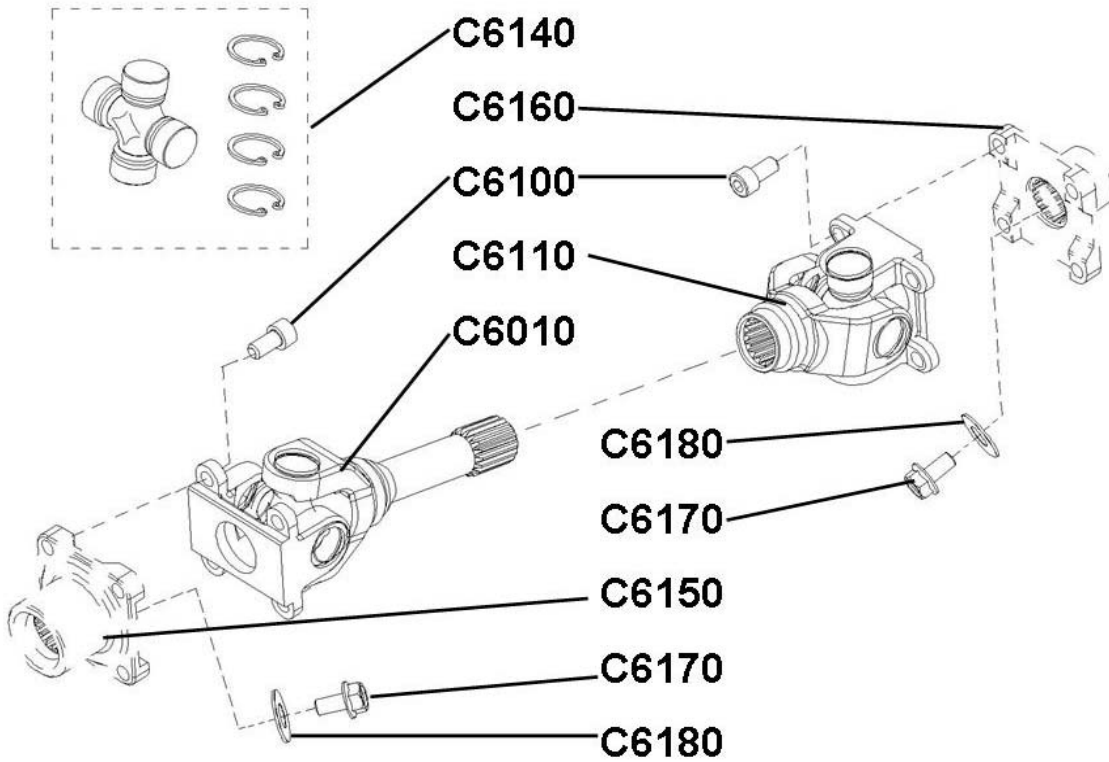
6004-2. RADIATOR SYSTEM (KINGCOBRA & ESTOC)



**APPLICATION**  
**A Kingcobra ixd**  
**B Estoc**  
**C Gladiator**  
**D Quadrift**

| PNC   | PART_NO      | PART_NAME                | Qty |       | REMARK | APPLICATION |   |   |   |
|-------|--------------|--------------------------|-----|-------|--------|-------------|---|---|---|
|       |              |                          | ixd | Estoc |        | A           | B | C | D |
| C5090 | BFH060200884 | HEXAGON BOLT WITH FLANGE | 2   | 2     |        | V           | V | V | V |
| C5160 | 60040007     | WASHER D6.5×D18×T2       | 2   | 2     |        | V           | V | V | V |
| C5150 | 60040015     | TANK - RESERVOIR         | 1   | 1     |        | V           | V | X | X |
| C5170 | 60040013     | CAP-RESERVOIR TANK       | 1   | 1     |        | V           | V | V | V |
| C5190 | 60040014     | HOSE - RESERVOIR TANK    | 2   | 2     |        | V           | V | V | V |
| C5200 | CC01001608   | CLIP                     | 3   | 3     |        | V           | V | V | V |

6005-1. DRIVE SHAFT PRIMARY (KINGCOBRA & ESTOC)



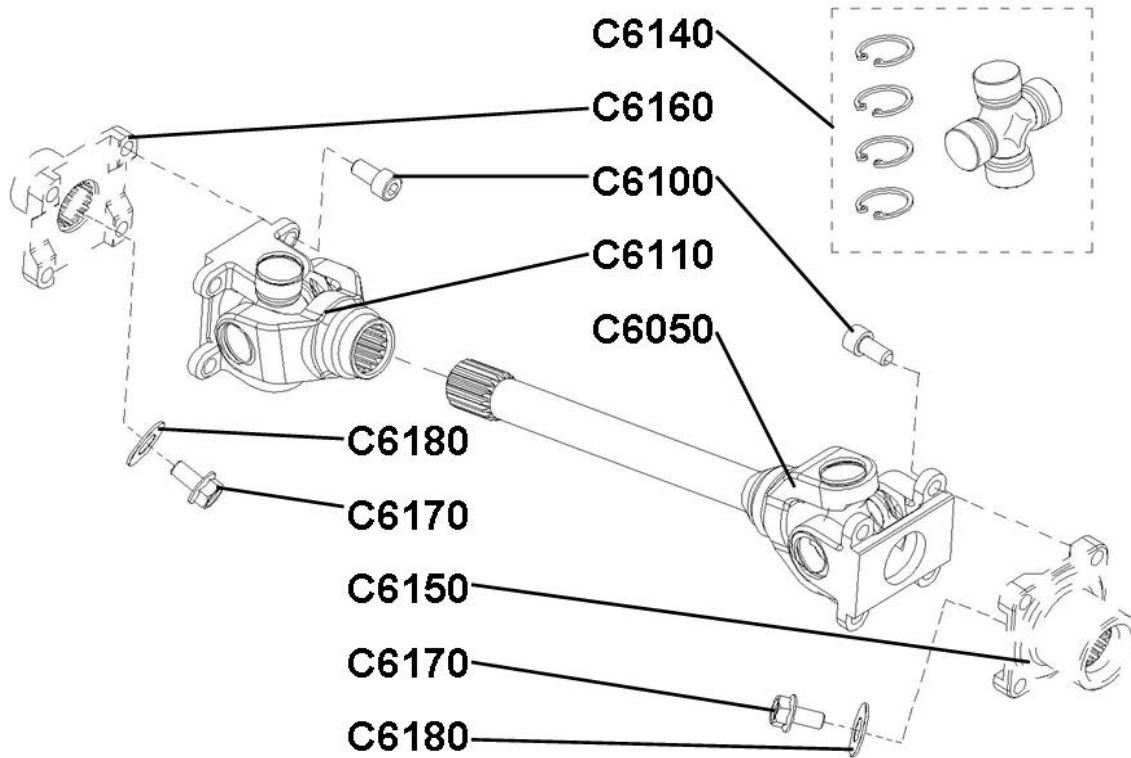
APPLICATION

- A Kingcobra ixd
- B Estoc
- C Gladiator
- D Quadrift

| PNC   | PART_NO      | PART_NAME                      | Qty |       | REMARK | APPLICATION |   |   |   |
|-------|--------------|--------------------------------|-----|-------|--------|-------------|---|---|---|
|       |              |                                | ixd | Estoc |        | A           | B | C | D |
| C6010 | 60058001     | FRONT PROPELLER SHAFT ASSY.    | 1   | 0     |        | V           | X | V | X |
| C6140 | 60056003     | UNIVERSAL JOINT SET            | 1   | 0     |        | V           | X | V | X |
| C6100 | SC080161291  | HEXAGON SOCKET HEAD CAP SCREWS | 8   | 0     |        | V           | X | V | X |
| C6110 | 60058004     | YOKE ASSY.                     | 1   | 0     |        | V           | X | V | X |
| C6140 | 60056003     | UNIVERSAL JOINT SET            | 1   | 0     |        | V           | X | V | X |
| C6150 | 60050002     | FLANGE - DIFF.                 | 1   | 0     |        | V           | X | V | X |
| C6160 | 60050005     | FLANGE - ENG.                  | 1   | 0     |        | V           | X | V | X |
| C6170 | BFH080180884 | HEXAGON BOLT WITH FLANGE       | 2   | 0     |        | V           | X | V | X |
| C6180 | 60050008     | WASHER - D8.4xD27.8xT3         | 2   | 0     |        | V           | X | V | X |



6005-2. DRIVE SHAFT PRIMARY (KINGCOBRA & ESTOC)



**APPLICATION**

**A Kingcobra ixd**

**B Estoc**

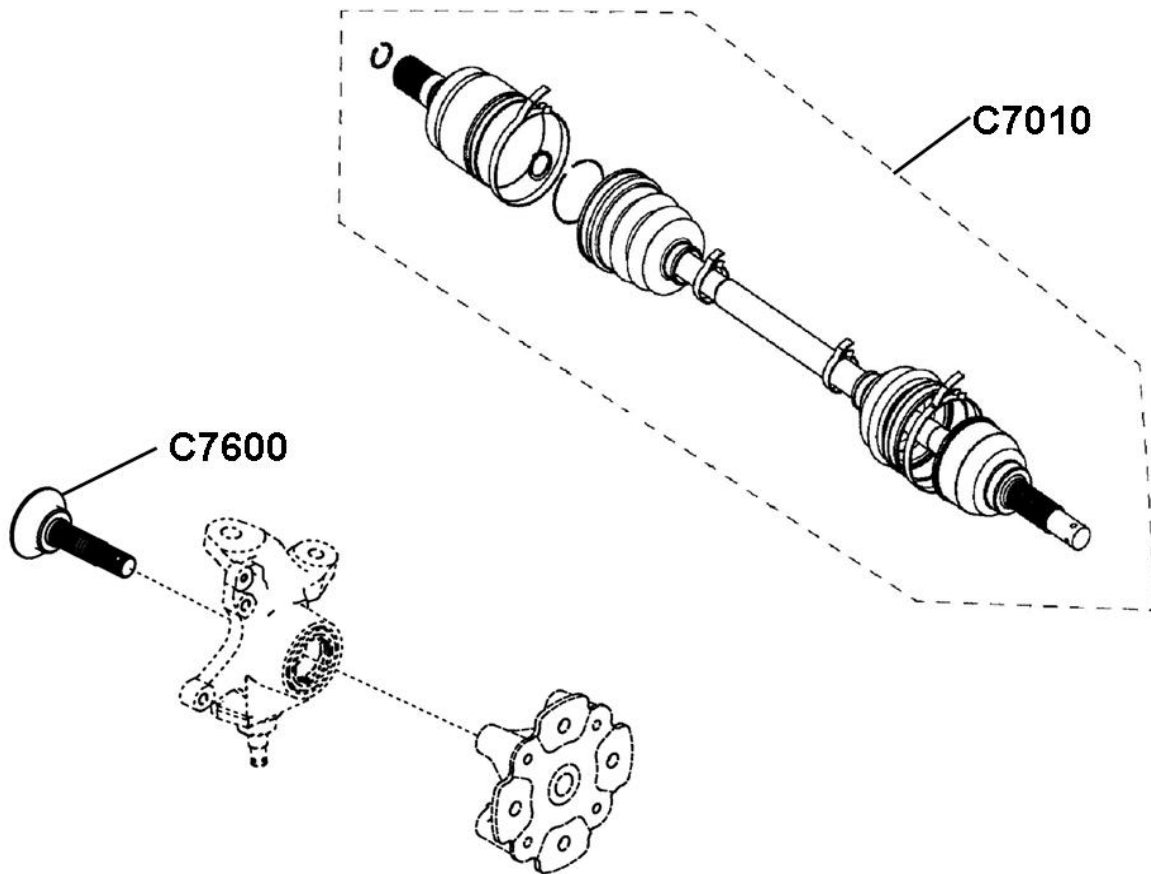
**C Gladiator**

**D Quadrift**

| PNC   | PART_NO      | PART_NAME                      | Qty |       | REMARK | APPLICATION |   |   |   |
|-------|--------------|--------------------------------|-----|-------|--------|-------------|---|---|---|
|       |              |                                | ixd | Estoc |        | A           | B | C | D |
| C6050 | 60058002     | REAR PROPELLER SHAFT ASSY.     | 1   | 1     |        | V           | V | V | V |
| C6140 | 60056003     | UNIVERSAL JOINT SET            | 1   | 1     |        | V           | V | V | V |
| C6100 | SC080161291  | HEXAGON SOCKET HEAD CAP SCREWS | 8   | 8     |        | V           | V | V | V |
| C6110 | 60058004     | YOKE ASSY.                     | 1   | 1     |        | V           | V | V | V |
| C6140 | 60056003     | UNIVERSAL JOINT SET            | 1   | 1     |        | V           | V | V | V |
| C6150 | 60050002     | FLANGE - DIFF.                 | 1   | 1     |        | V           | V | V | V |
| C6160 | 60050005     | FLANGE - ENG.                  | 1   | 1     |        | V           | V | V | V |
| C6170 | BFH080180884 | HEXAGON BOLT WITH FLANGE       | 2   | 2     |        | V           | V | V | V |
| C6180 | 60050008     | WASHER - D8.4×D27.8×T3         | 2   | 2     |        | V           | V | V | V |



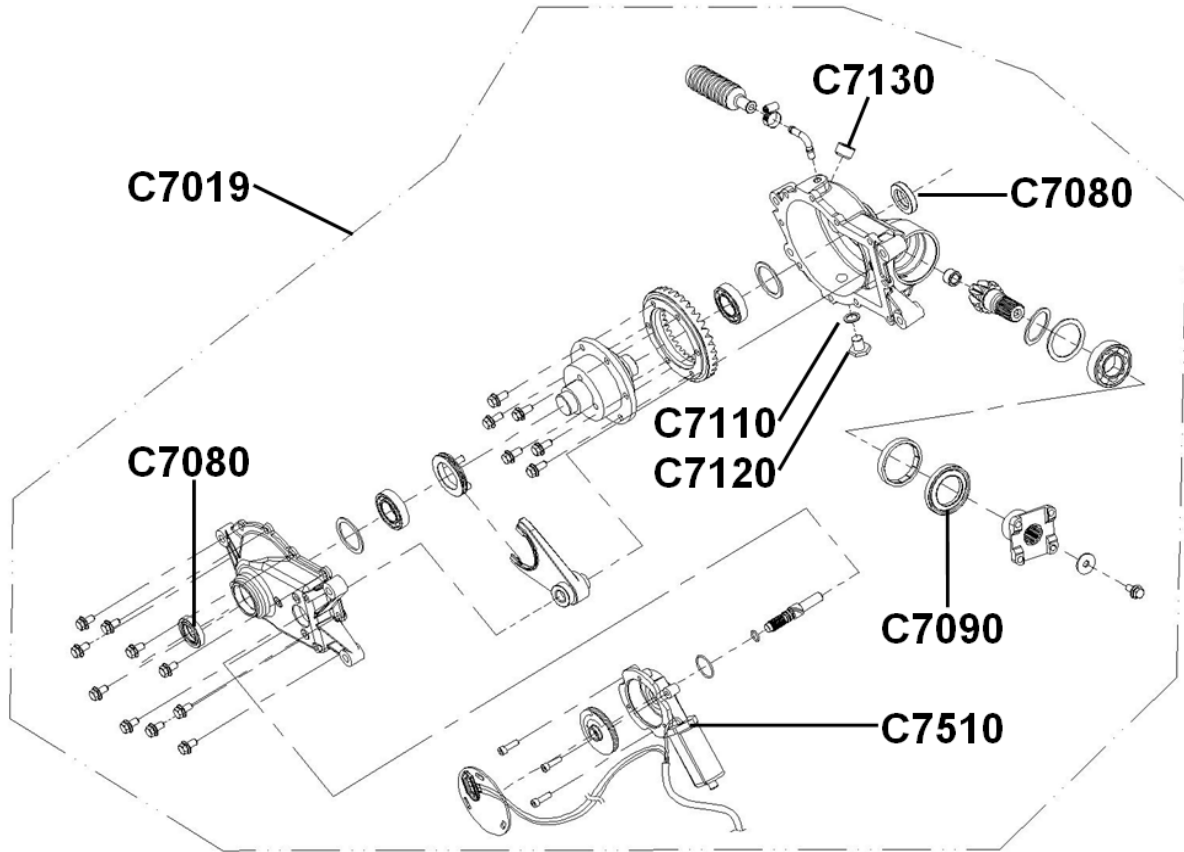
6006-1. FRONT DRIVE (KINGCOBRA & ESTOC)



**APPLICATION**  
**A Kingcobra ixd**  
**B Estoc**  
**C Gladiator**  
**D Quadrift**

| PNC   | PART_NO  | PART_NAME               | Qty |       | REMARK | APPLICATION |   |   |   |
|-------|----------|-------------------------|-----|-------|--------|-------------|---|---|---|
|       |          |                         | ixd | Estoc |        | A           | B | C | D |
| C7010 | 60066015 | FRONT DRIVE SHAFT ASSY. | 2   | 0     |        | V           | X | V | X |
| C7600 | 60060007 | ADAPTER - FRONT HUB     | 0   | 2     |        | X           | V | X | V |

6006-2. FRONT DRIVE (KINGCOBRA & ESTOC)

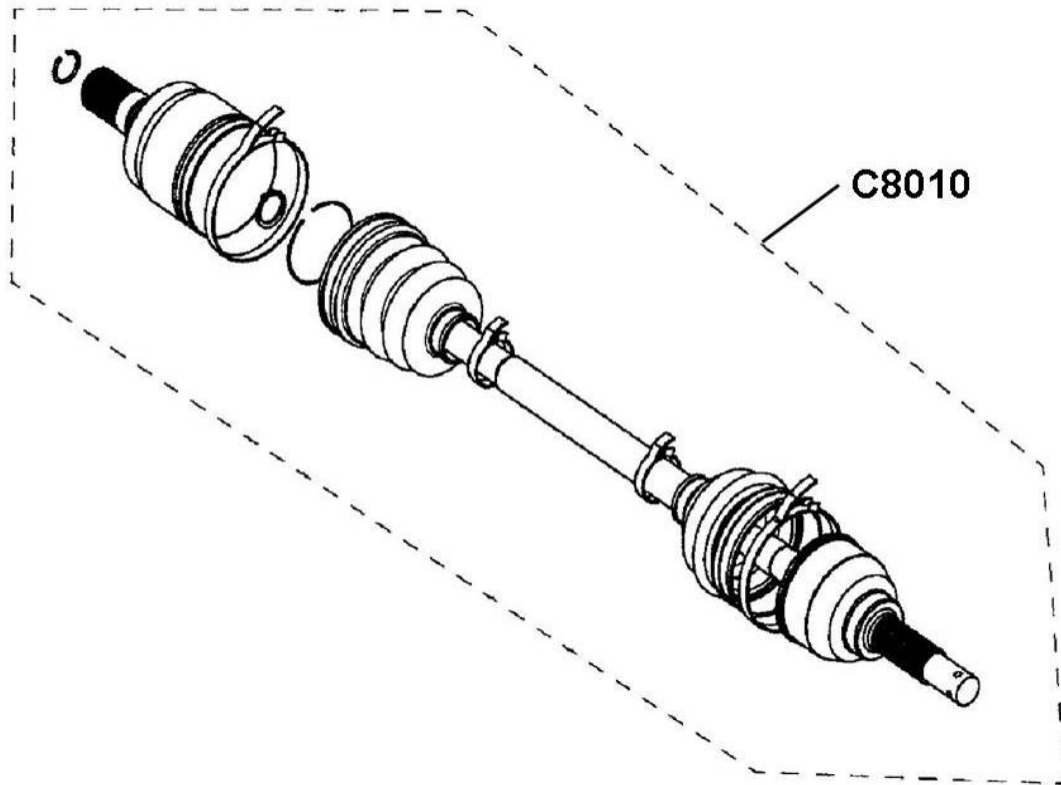


**APPLICATION**

- A Kingcobra ixd
- B Estoc
- C Gladiator
- D Quadrift

| PNC   | PART_NO      | PART_NAME                            | Qty |       | REMARK | APPLICATION |   |   |   |
|-------|--------------|--------------------------------------|-----|-------|--------|-------------|---|---|---|
|       |              |                                      | ixd | Estoc |        | A           | B | C | D |
| C7019 | 60068001     | FRONT DIFF. ASSY                     | 1   | 0     |        | V           | X | V | X |
| C7080 | 60066013     | LIP SEAL FOR ROTARY SHAFT (24×42×T8) | 2   | 0     |        | V           | X | V | X |
| C7090 | 60066005     | LIP SEAL FOR ROTARY SHAFT            | 1   | 0     |        | V           | X | V | X |
| C7110 | 888.4003.102 | WASHER - OIL DRAIN                   | 1   | 0     |        | V           | X | V | X |
| C7120 | 40030004     | PLUG-OIL DRAIN                       | 1   | 0     |        | V           | X | V | X |
| C7130 | 888.4001.851 | PLUG ASM.-1/2 OIL GALLERY            | 1   | 0     |        | V           | X | V | X |
| C7510 | 60068005     | DIFF. MOTOR ASSY.                    | 1   | 0     |        | V           | X | V | X |

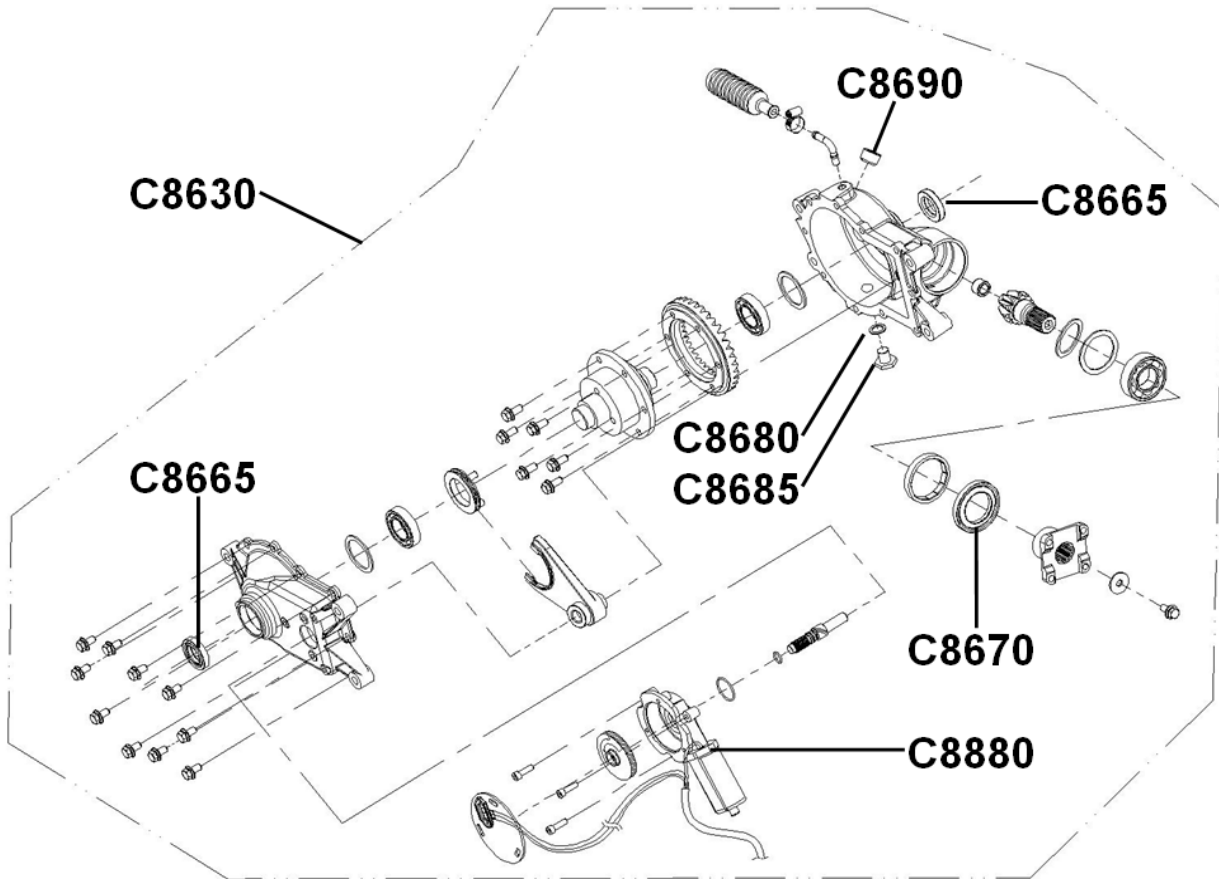
6007-1. REAR DRIVE (KINGCOBRA & ESTOC)



**APPLICATION**  
**A Kingcobra ixd**  
**B Estoc**  
**C Gladiator**  
**D Quadrift**

| PNC   | PART_NO  | PART_NAME              | Qty |       | REMARK | APPLICATION |   |   |   |
|-------|----------|------------------------|-----|-------|--------|-------------|---|---|---|
|       |          |                        | ixd | Estoc |        | A           | B | C | D |
| C8010 | 60076002 | REAR DRIVE SHAFT ASSY. | 2   | 2     |        | V           | V | V | V |

## 6007-2. REAR DRIVE (KINGCOBRA &amp; ESTOC)



## APPLICATION

A Kingcobra ixd

B Estoc

C Gladiator

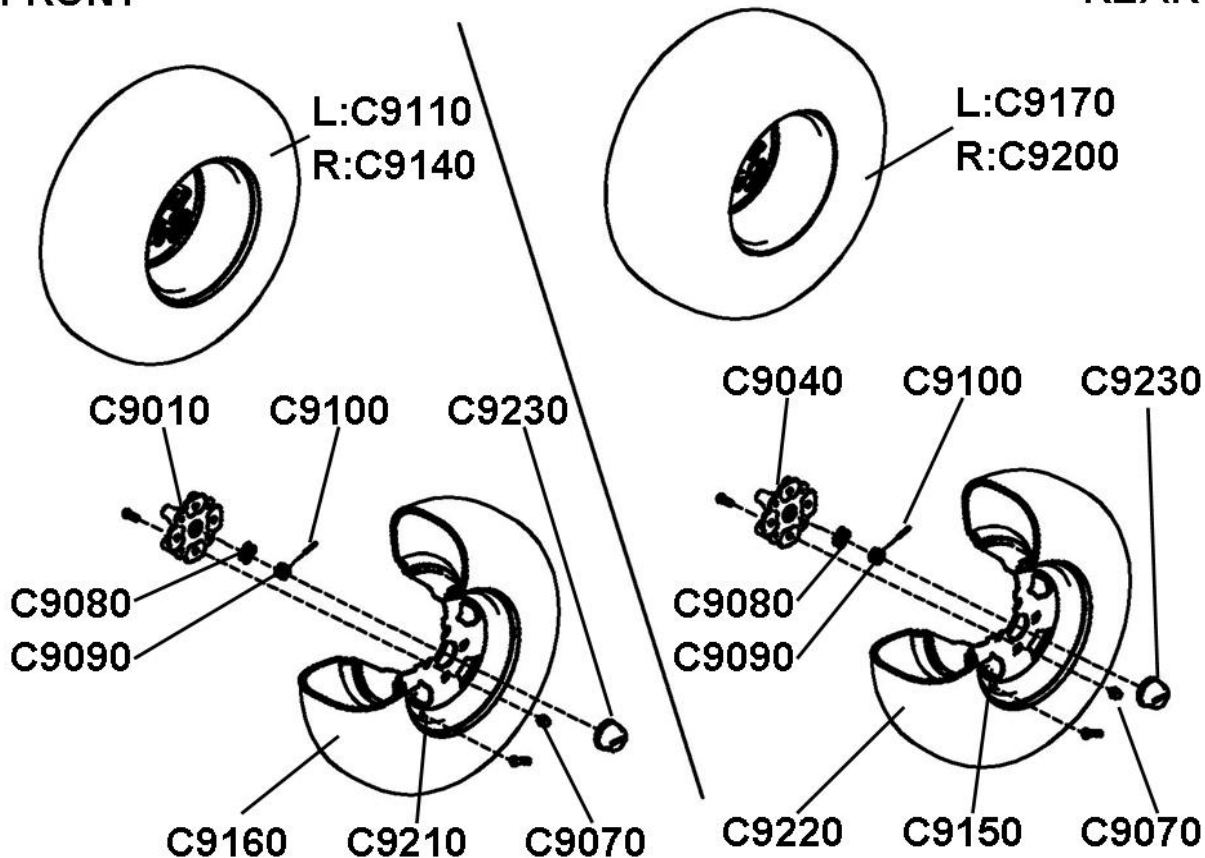
D Quadrift

| PNC   | PART_NO      | PART_NAME                            | Qty |       | REMARK | APPLICATION |   |   |   |
|-------|--------------|--------------------------------------|-----|-------|--------|-------------|---|---|---|
|       |              |                                      | ixd | Estoc |        | A           | B | C | D |
| C8630 | 60078001     | REAR DIFF. ASSY                      | 1   | 1     |        | V           | V | V | V |
| C8665 | 60066013     | LIP SEAL FOR ROTARY SHAFT (24x42xT8) | 2   | 2     |        | V           | V | V | V |
| C8670 | 60066005     | LIP SEAL FOR ROTARY SHAFT            | 1   | 1     |        | V           | V | V | V |
| C8680 | 888.4003.102 | WASHER - OIL DRAIN                   | 1   | 1     |        | V           | V | V | V |
| C8685 | 40030004     | PLUG-OIL DRAIN                       | 1   | 1     |        | V           | V | V | V |
| C8690 | 888.4001.851 | PLUG ASM.-1/2 OIL GALLERY            | 1   | 1     |        | V           | V | V | V |
| C8880 | 60068005     | DIFF. MOTOR ASSY.                    | 1   | 1     |        | V           | V | V | V |

6008. TIRE / WHEEL (KINGCOBRA)

FRONT

REAR

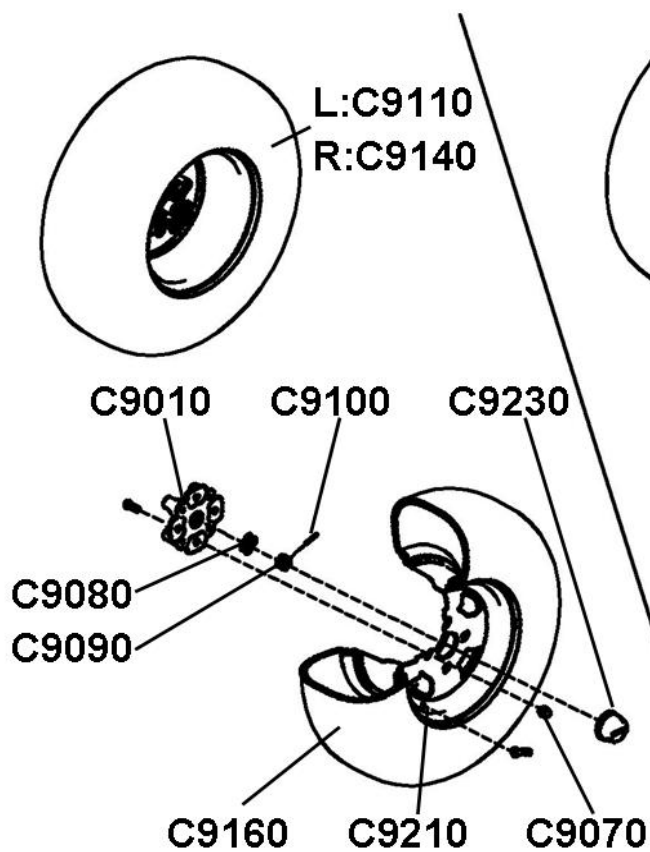


APPLICATION  
 A Kingcobra idx  
 B Estoc  
 C Gladiator  
 D Quadrift

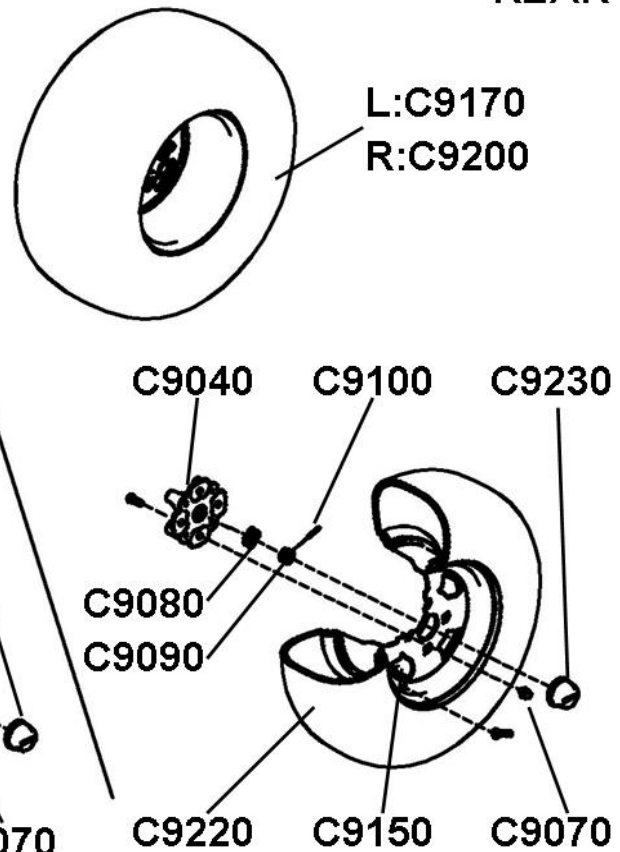
| PNC   | PART_NO  | PART_NAME             | Qty |       | REMARK   | APPLICATION |   |   |   |
|-------|----------|-----------------------|-----|-------|----------|-------------|---|---|---|
|       |          |                       | idx | Estoc |          | A           | B | C | D |
| C9010 | 60088001 | WHEEL HUB ASSY. FRONT | 2   | 2     |          | V           | V | V | V |
| C9040 | 60088002 | WHEEL HUB ASSY. REAR  | 2   | 2     |          | V           | V | V | V |
| C9070 | 60086011 | DOMED CUP NUT_A       | 16  | 16    |          | V           | V | V | V |
| C9080 | 60080005 | CONICAL SPRING WASHER | 4   | 4     |          | V           | V | V | V |
| C9090 | 60080006 | NUT, HUB              | 4   | 4     |          | V           | V | V | V |
| C9100 | 60080007 | SPLIT PIN             | 4   | 4     |          | V           | V | V | V |
| C9110 | 60088021 | WHEEL ASSY., FL_M915  | 1   | 0     | OFF ROAD | V           | X | V | X |
|       | 60088017 | WHEEL ASSY., FL_K582F | 1   | 0     | OFF ROAD | V           | X | V | X |
| C9140 | 60088022 | WHEEL ASSY., FR_M915  | 1   | 0     | OFF ROAD | V           | X | V | X |
|       | 60088018 | WHEEL ASSY., FR_K582F | 1   | 0     | OFF ROAD | V           | X | V | X |
| C9210 | 60086001 | WHEEL RIM FRONT_A     | 2   | 0     | OFF ROAD | V           | X | V | X |
| C9160 | 60086023 | TIRE FRONT - M915     | 2   | 0     | OFF ROAD | V           | X | V | X |
|       | 60086019 | TIRE FRONT - K582F    | 2   | 0     | OFF ROAD | V           | X | V | X |
| C9170 | 60088023 | WHEEL ASSY., RL_M916  | 1   | 0     | OFF ROAD | V           | X | V | X |
|       | 60088019 | WHEEL ASSY., RL_K583  | 1   | 0     | OFF ROAD | V           | X | V | X |
| C9200 | 60088024 | WHEEL ASSY., RR_M916  | 1   | 0     | OFF ROAD | V           | X | V | X |
|       | 60088020 | WHEEL ASSY., RR_K583  | 1   | 0     | OFF ROAD | V           | X | V | X |
| C9150 | 60086002 | WHEEL RIM REAR_A      | 2   | 0     | OFF ROAD | V           | X | V | X |
| C9220 | 60086024 | TIRE REAR - M916      | 2   | 0     | OFF ROAD | V           | X | V | X |
|       | 60086020 | TIRE REAR - K583      | 2   | 0     | OFF ROAD | V           | X | V | X |
| C9230 | 60080008 | CAP_RIM               | 4   | 0     | OFF ROAD | V           | X | V | X |

## 6008. TIRE / WHEEL (ESTOC)

FRONT



REAR



## APPLICATION

A Kingcobra ixd

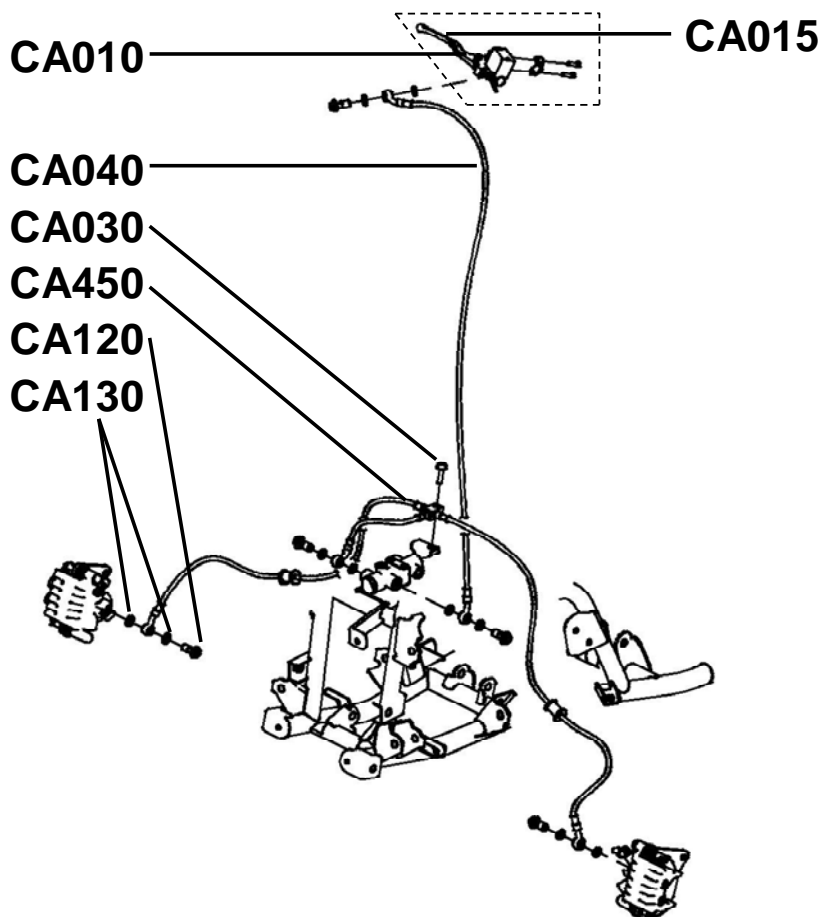
B Estoc

C Gladiator

D Quadrift

| PNC   | PART_NO   | PART_NAME             | Qty |       | REMARK  | APPLICATION |   |   |   |
|-------|-----------|-----------------------|-----|-------|---------|-------------|---|---|---|
|       |           |                       | ixd | Estoc |         | A           | B | C | D |
| C9010 | 60088001  | WHEEL HUB ASSY. FRONT | 2   | 2     |         | V           | V | V | V |
| C9040 | 60088002  | WHEEL HUB ASSY. REAR  | 2   | 2     |         | V           | V | V | V |
| C9070 | 60086011  | DOMED CUP NUT_A       | 16  | 16    |         | V           | V | V | V |
| C9080 | 60080005  | CONICAL SPRING WASHER | 4   | 4     |         | V           | V | V | V |
| C9090 | 60080006  | NUT, HUB              | 4   | 4     |         | V           | V | V | V |
| C9100 | 60080007  | SPLIT PIN             | 4   | 4     |         | V           | V | V | V |
| C9110 | 60088009  | WHEEL ASSY., FL_B     | 0   | 1     | ON ROAD | X           | V | X | V |
| C9140 | 60088010  | WHEEL ASSY., FR_B     | 0   | 1     | ON ROAD | X           | V | X | V |
| C9210 | 60086005  | WHEEL RIM_B           | 0   | 2     | ON ROAD | X           | V | X | V |
| C9160 | 60086014  | TIRE FRONT_B          | 0   | 2     | ON ROAD | X           | V | X | V |
| C9170 | 60088011  | WHEEL ASSY., RL_B     | 0   | 1     | ON ROAD | X           | V | X | V |
| C9200 | 60088012  | WHEEL ASSY., RR_B     | 0   | 1     | ON ROAD | X           | V | X | V |
| C9150 | 60086005  | WHEEL RIM_B           | 0   | 2     | ON ROAD | X           | V | X | V |
| C9220 | 60086015  | TIRE REAR_B           | 0   | 2     | ON ROAD | X           | V | X | V |
| C9230 | 960080001 | CAP_RIM_B             | 0   | 4     | ON ROAD | X           | V | X | V |

6009-1. BRAKE (KINGCOBRA & ESTOC)



APPLICATION

A Kingcobra ixd

B Estoc

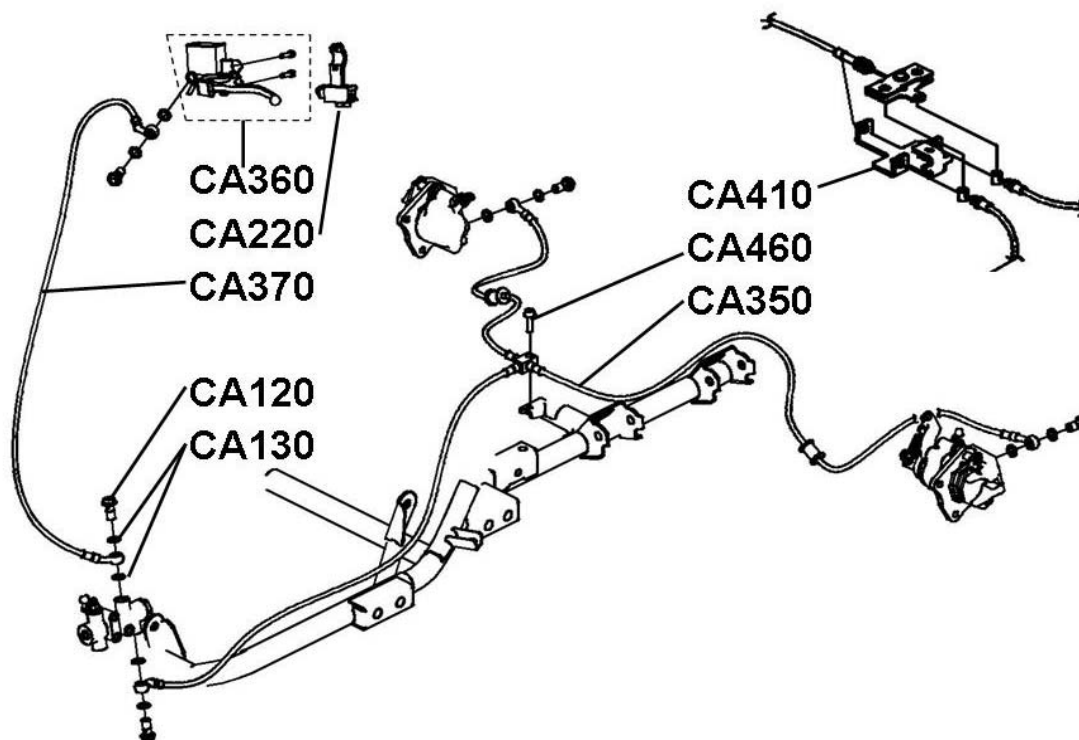
C Gladiator

D Quadrift

| PNC   | PART_NO      | PART_NAME                     | Qty |       | REMARK | APPLICATION |   |   |   |
|-------|--------------|-------------------------------|-----|-------|--------|-------------|---|---|---|
|       |              |                               | ixd | Estoc |        | A           | B | C | D |
| CA010 | 60096001     | CYLINDER ASSY. - FRONT MASTER | 1   | 1     |        | V           | V | V | V |
| CA015 | 960090004    | LEVER - FRONT BRAKE           | 1   | 1     |        | V           | V | V | V |
| CA030 | BFH060550884 | HEXAGON BOLT WITH FLANGE      | 1   | 1     |        | V           | V | V | V |
| CA040 | 60096012     | HOSE - FRONT MASTER           | 1   | 1     |        | V           | V | V | V |
| CA120 | 60096015     | BOLT - BRAKE                  | 5   | 5     |        | V           | V | V | V |
| CA130 | 60096016     | WASHER - BRAKE                | 10  | 10    |        | V           | V | V | V |
| CA450 | 60096031     | HOSE - FRONT BRAKE_XB         | 1   | 1     |        | V           | V | X | X |



6009-2. BRAKE (KINGCOBRA &



**APPLICATION**

**A Kingcobra ixd**

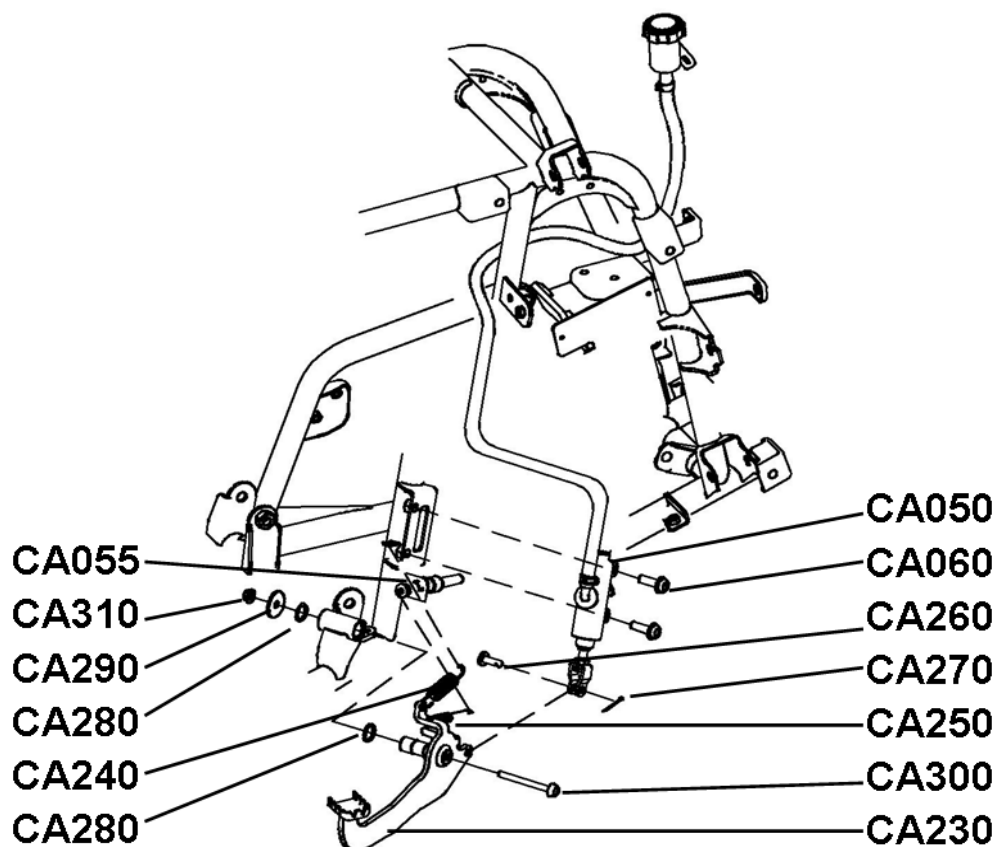
**B Estoc**

**C Gladiator**

**D Quadrift**

| PNC   | PART_NO      | PART_NAME                  | Qty |       | REMARK | APPLICATION |   |   |   |
|-------|--------------|----------------------------|-----|-------|--------|-------------|---|---|---|
|       |              |                            | ixd | Estoc |        | A           | B | C | D |
| CA120 | 60096015     | BOLT - BRAKE               | 5   | 5     |        | V           | V | V | V |
| CA130 | 60096016     | WASHER - BRAKE             | 10  | 10    |        | V           | V | V | V |
| CA220 | 60096010     | PARKING LEVER              | 1   | 1     |        | V           | V | V | V |
| CA350 | 60096032     | HOSE - REAR BRAKE_XB       | 1   | 1     |        | V           | V | X | X |
| CA360 | 60096017     | CYLINDER ASSY.-REAR MASTER | 1   | 1     |        | V           | V | V | V |
| CA365 | 960090005    | LEVER - REAR BRAKE         | 1   | 1     |        | V           | V | V | V |
| CA370 | 60096018     | HOSE - REAR MASTER         | 1   | 1     |        | V           | V | V | V |
| CA410 | 60090016     | BKT - PARKING              | 1   | 1     |        | V           | V | V | V |
| CA460 | BFH060550884 | HEXAGON BOLT WITH FLANGE   | 1   | 1     |        | V           | V | V | V |

## 6009-3. BRAKE (KINGCOBRA &amp;



## APPLICATION

A Kingcobra ixd

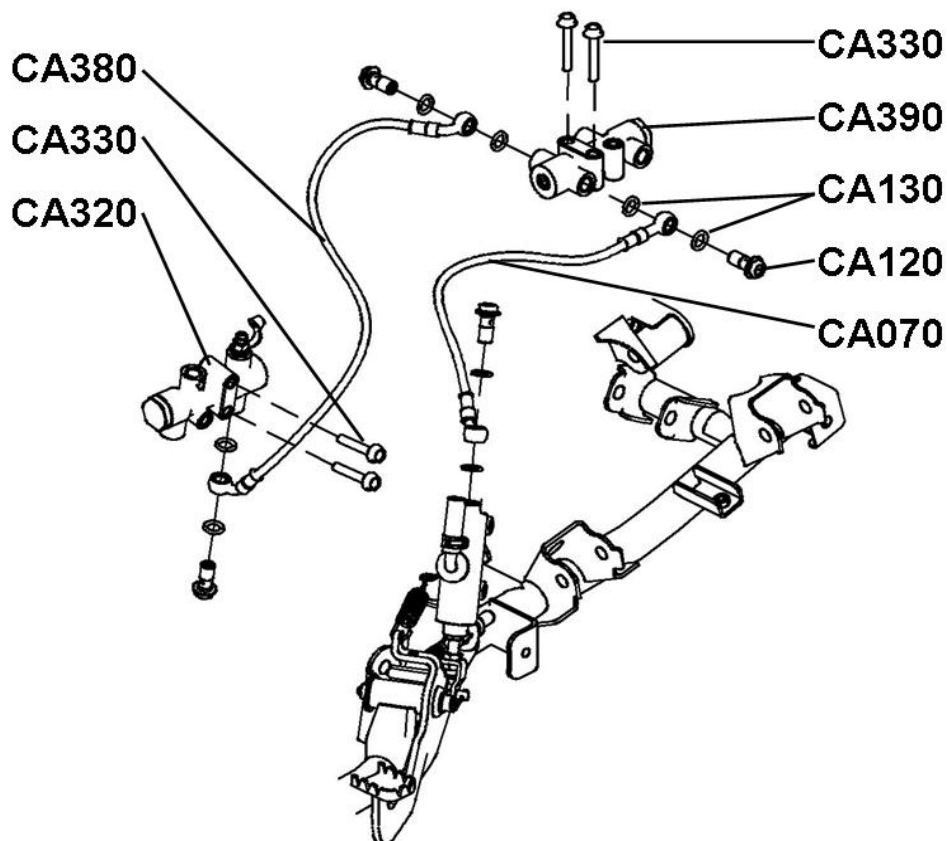
B Estoc

C Gladiator

D Quadrift

| PNC   | PART_NO      | PART_NAME                       | Qty |       | REMARK | APPLICATION |   |   |   |
|-------|--------------|---------------------------------|-----|-------|--------|-------------|---|---|---|
|       |              |                                 | ixd | Estoc |        | A           | B | C | D |
| CA055 | 80026012     | SWITCH ASSY. - STOP LAMP        | 1   | 1     |        | V           | V | V | V |
| CA050 | 60096008     | CYLINDER ASSY. - FOOT MASTER    | 1   | 1     |        | V           | V | V | V |
| CA060 | BFH080251094 | HEXAGON BOLT WITH FLANGE        | 2   | 2     |        | V           | V | V | V |
| CA230 | 60090004     | PEDAL - BRAKE                   | 1   | 1     |        | V           | V | V | V |
| CA240 | 60090011     | SPRING - RETURN                 | 1   | 1     |        | V           | V | V | V |
| CA250 | 60090005     | SPRING - SWITCH ASSY._STOP LAMP | 1   | 1     |        | V           | V | V | V |
| CA260 | 60090008     | PIN - PEDAL                     | 1   | 1     |        | V           | V | V | V |
| CA270 | 60090010     | SPLIT PIN - PEDAL               | 1   | 1     |        | V           | V | V | V |
| CA280 | 60090015     | O-RING - $\phi 15 \times D2.4$  | 2   | 2     |        | V           | V | V | V |
| CA290 | 60100013     | WASHER - FUEL TANK              | 1   | 1     |        | V           | V | V | V |
| CA300 | BFH060650884 | HEXAGON BOLT WITH FLANGE        | 1   | 1     |        | V           | V | V | V |
| CA310 | 60090014     | NUT - PEDAL                     | 1   | 1     |        | V           | V | V | V |

6009-4. BRAKE (KINGCOBRA &



APPLICATION

A Kingcobra ixd

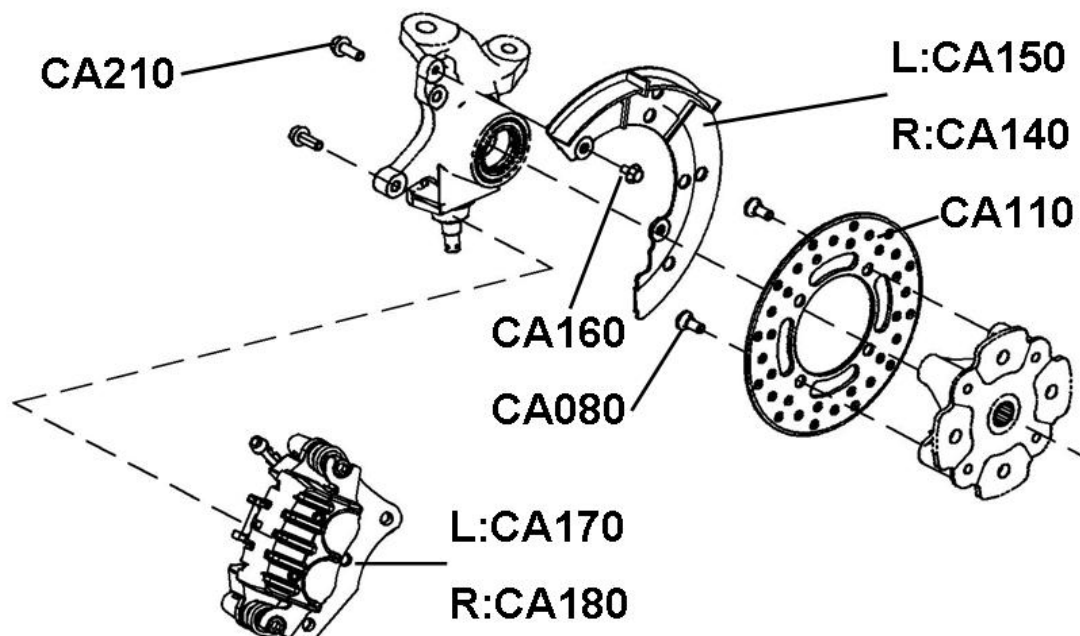
B Estoc

C Gladiator

D Quadrift

| PNC   | PART_NO      | PART_NAME                    | Qty |       | REMARK | APPLICATION |   |   |   |
|-------|--------------|------------------------------|-----|-------|--------|-------------|---|---|---|
|       |              |                              | ixd | Estoc |        | A           | B | C | D |
| CA070 | 60096013     | HOSE - CYLINDER ASSY. MASTER | 1   | 1     |        | V           | V | V | V |
| CA120 | 60096015     | BOLT - BRAKE                 | 4   | 4     |        | V           | V | V | V |
| CA130 | 60096016     | WASHER - BRAKE               | 8   | 8     |        | V           | V | V | V |
| CA320 | 60096009     | 4 - WAY VALVE                | 1   | 1     |        | V           | V | V | V |
| CA330 | BFH060400884 | HEXAGON BOLT WITH FLANGE     | 4   | 4     |        | V           | V | V | V |
| CA380 | 60096019     | HOSE - 4 WAY VALVE           | 1   | 1     |        | V           | V | V | V |

## 6009-5. BRAKE (KINGCOBRA &amp; ESTOC)



## APPLICATION

A Kingcobra ixd

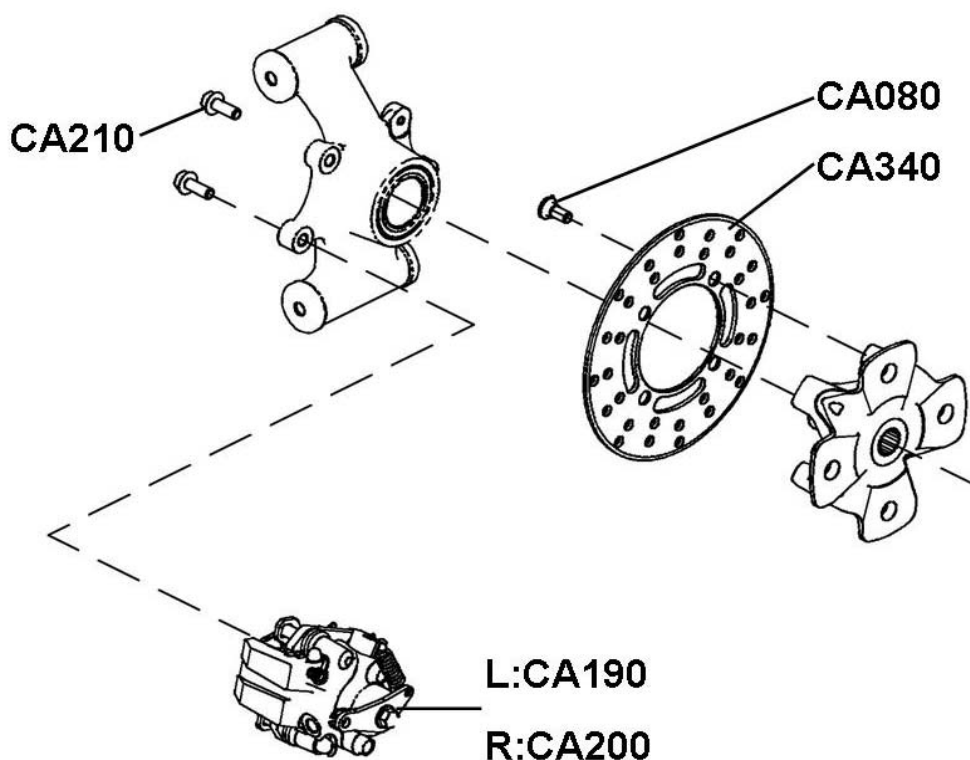
B Estoc

C Gladiator

D Quadrift

| PNC   | PART_NO      | PART_NAME                  | Qty |       | REMARK   | APPLICATION |   |   |   |
|-------|--------------|----------------------------|-----|-------|----------|-------------|---|---|---|
|       |              |                            | ixd | Estoc |          | A           | B | C | D |
| CA080 | 60090009     | BOLT - BRAKE DISC          | 16  | 16    |          | V           | V | V | V |
| CA110 | 60090001     | DISK - FRONT BRAKE_A       | 2   | 0     | OFF ROAD | V           | X | V | X |
|       | 60090003     | DISK - FRONT BRAKE_B       | 0   | 2     | ON ROAD  | X           | V | X | V |
| CA140 | 60090006     | COVER - FRONT DISC_R       | 1   | 0     |          | V           | X | V | X |
| CA150 | 60090007     | COVER - FRONT DISC_L       | 1   | 0     |          | V           | X | V | X |
| CA160 | 70010005     | BOLT, PROTECTOR            | 4   | 0     |          | V           | V | V | V |
| CA170 | 60096023     | CALIPER ASSY., FRONT RH_B  | 0   | 1     | ON ROAD  | X           | V | X | V |
|       | 60096027     | CALIPER ASSY. - FRONT_R_2P | 1   | 0     | OFF ROAD | V           | X | X | X |
| CA180 | 60096022     | CALIPER ASSY., FRONT LH_B  | 0   | 1     | ON ROAD  | X           | V | X | V |
|       | 60096028     | CALIPER ASSY. - FRONT_L_2P | 1   | 0     | OFF ROAD | V           | X | X | X |
| CA210 | BFH080221094 | HEXAGON BOLT WITH FLANGE   | 8   | 8     |          | V           | V | V | V |

6009-6. BRAKE (KINGCOBRA &



APPLICATION

A Kingcobra ixd

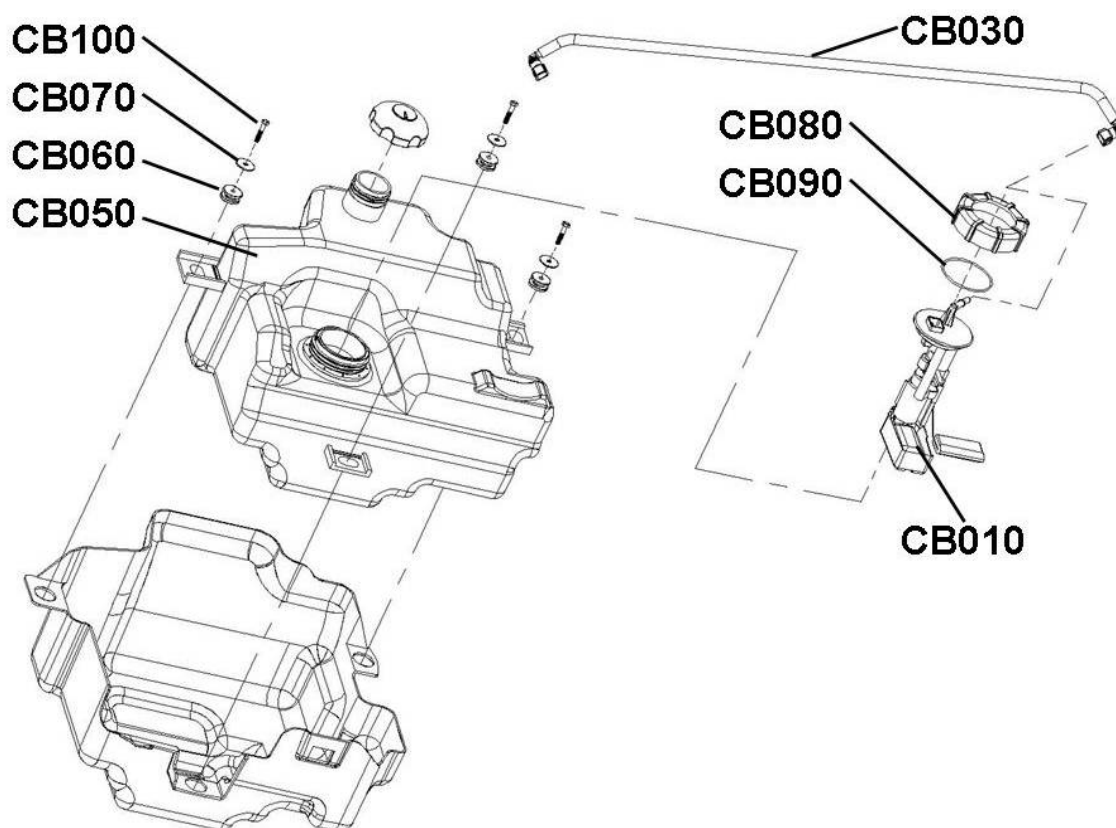
B Estoc

C Gladiator

D Quadrift

| PNC   | PART_NO      | PART_NAME                | Qty |       | REMARK | APPLICATION |   |   |   |
|-------|--------------|--------------------------|-----|-------|--------|-------------|---|---|---|
|       |              |                          | ixd | Estoc |        | A           | B | C | D |
| CA080 | 60090009     | BOLT - BRAKE DISC        | 16  | 16    |        | V           | V | V | V |
| CA190 | 60096025     | CALIPER ASSY. - REAR_RB  | 1   | 1     |        | V           | V | V | V |
| CA200 | 60096026     | CALIPER ASSY. - REAR_LB  | 1   | 1     |        | V           | V | V | V |
| CA210 | BFH080221094 | HEXAGON BOLT WITH FLANGE | 8   | 8     |        | V           | V | V | V |
| CA340 | 60090002     | DISK - REAR BRAKE        | 2   | 2     |        | V           | V | V | V |

6010. FUEL SUPPLY (KINGCOBRA & ESTOC)



APPLICATION

A Kingcobra ixd

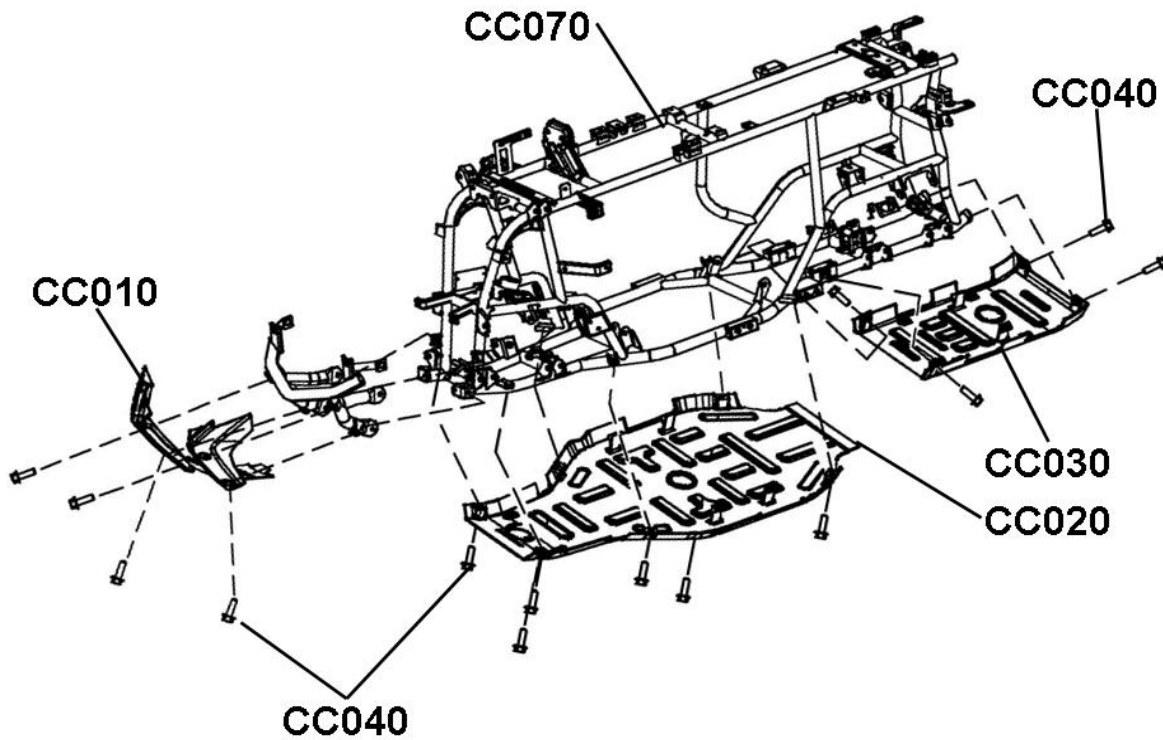
B Estoc

C Gladiator

D Quadrift

| PNC   | PART_NO      | PART_NAME                    | Qty |       | REMARK | APPLICATION |   |   |   |
|-------|--------------|------------------------------|-----|-------|--------|-------------|---|---|---|
|       |              |                              | ixd | Estoc |        | A           | B | C | D |
| CB010 | 60106001     | FUEL PUMP MODULE             | 1   | 1     |        | V           | V | V | V |
| CB030 | 60106002     | HOSE - FUEL                  | 1   | 1     |        | V           | V | V | V |
| CB050 | 60100001     | FUEL TANK                    | 1   | 1     |        | V           | V | V | V |
| CB060 | 60100011     | CUSHION - FUEL TANK          | 3   | 3     |        | V           | V | V | V |
| CB070 | 60100013     | WASHER - FUEL TANK           | 3   | 3     |        | V           | V | V | V |
| CB080 | 60100020     | RETAINER, FUEL PUMP          | 1   | 1     |        | V           | V | V | V |
| CB090 | 60100003     | O-RING $\phi 82 \times D3.6$ | 1   | 1     |        | V           | V | V | V |
| CB100 | BFH060280884 | HEXAGON BOLT WITH FLANGE     | 3   | 3     |        | V           | V | V | V |

## 7001-1. BODY FRAME (KINGCOBRA &amp;



## APPLICATION

A Kingcobra ixd

B Estoc

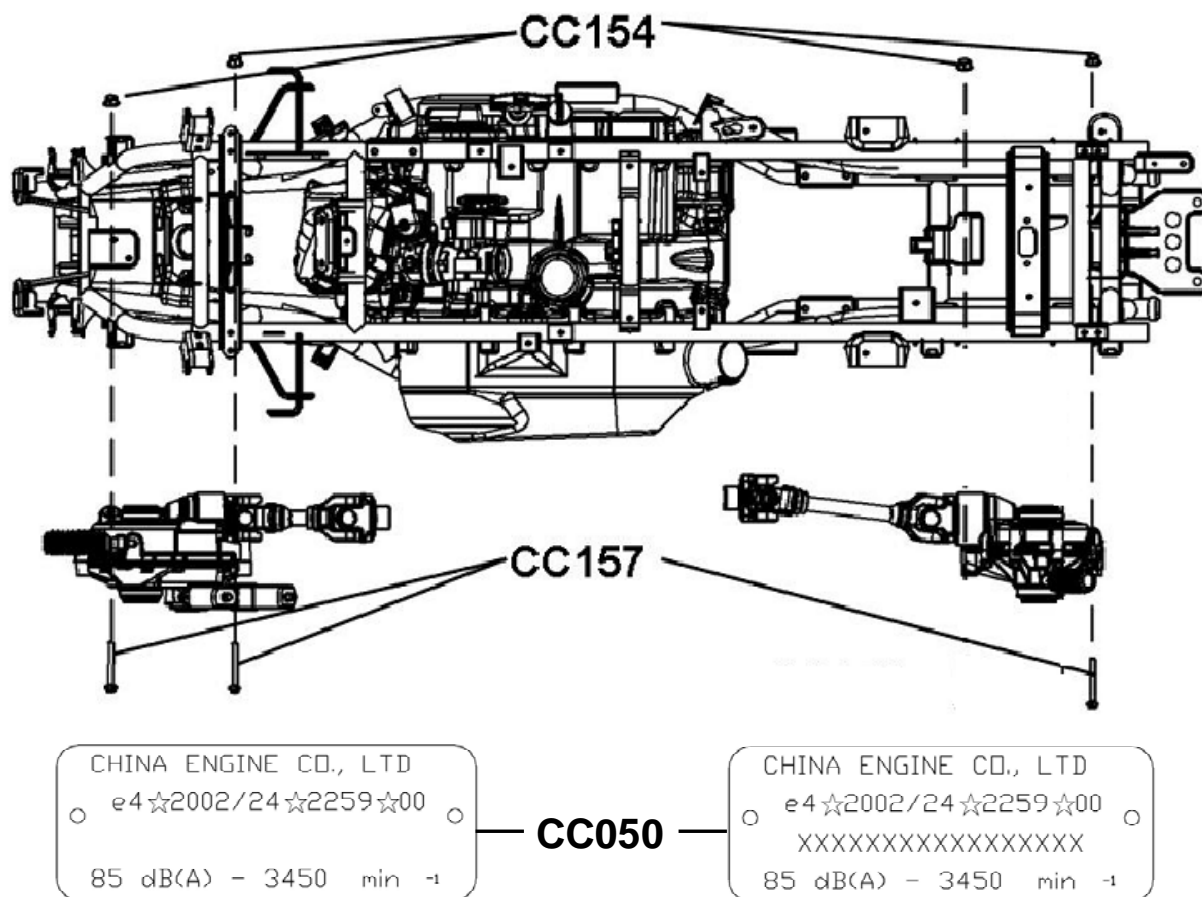
C Gladiator

D Quadrift

| PNC   | PART_NO  | PART_NAME         | Qty |       | REMARK | APPLICATION |   |   |   |
|-------|----------|-------------------|-----|-------|--------|-------------|---|---|---|
|       |          |                   | ixd | Estoc |        | A           | B | C | D |
| CC010 | 70016004 | PROTECTOR, FRONT  | 1   | 1     |        | V           | V | X | X |
| CC020 | 70010003 | PROTECTOR, ENGINE | 1   | 1     |        | V           | V | V | V |
| CC030 | 70010004 | PROTECTOR, REAR   | 1   | 1     |        | V           | V | V | V |
| CC040 | 70010005 | BOLT, PROTECTOR   | 14  | 14    |        | V           | V | V | V |
| CC070 | 70018004 | MAIN FRAME        | 1   | 1     |        | V           | V | X | X |



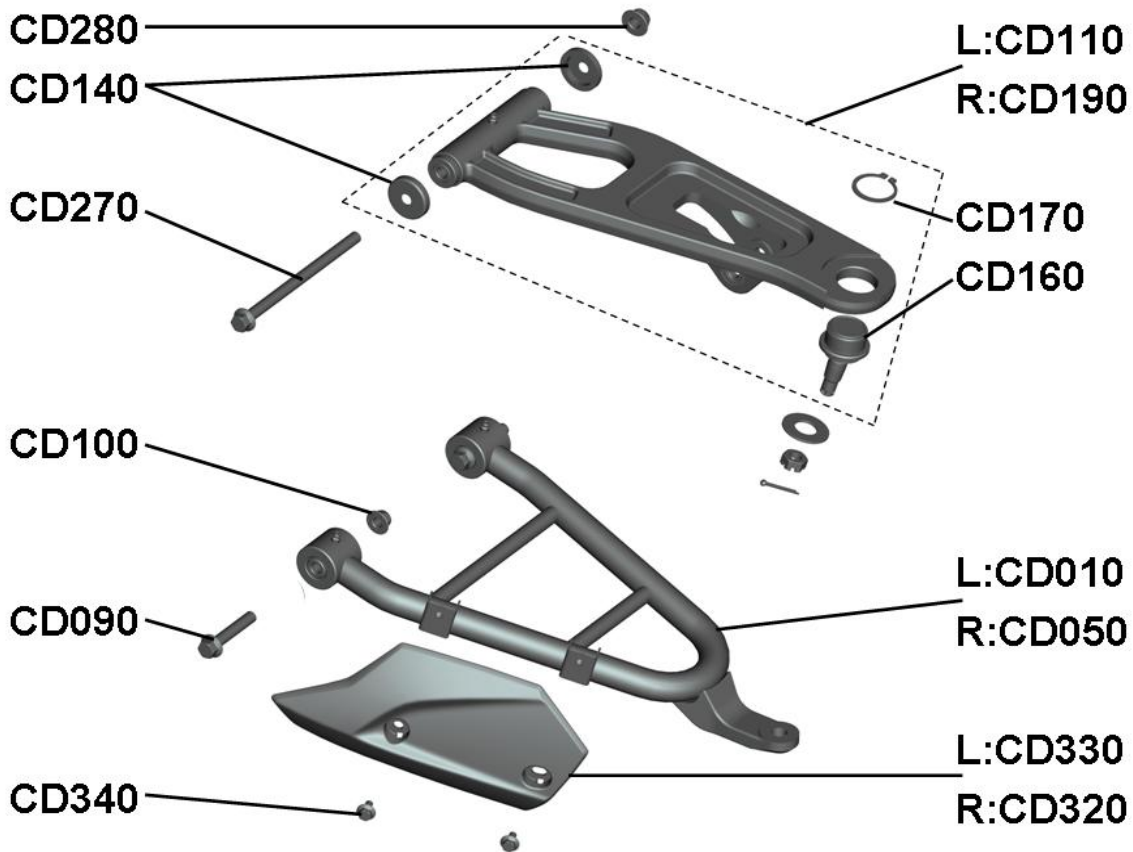
7001-3. BODY FRAME (KINGCOBRA &



**APPLICATION**  
**A Kingcobra ixd**  
**B Estoc**  
**C Gladiator**  
**D Quadrift**

| PNC   | PART_NO  | PART_NAME                 | Qty |       | REMARK  | APPLICATION |   |   |   |
|-------|----------|---------------------------|-----|-------|---------|-------------|---|---|---|
|       |          |                           | ixd | Estoc |         | A           | B | C | D |
| CC050 | 70018009 | VEHICLE PLATE             | 1   | 1     | EMPTY   | V           | V | V | V |
|       | 70010233 | PLATE, VEHICLE            | 1   | 1     | ENGRAVE | V           | V | X | X |
| CC154 | 70020006 | NUT, SUSPENSION           | 4   | 4     |         | V           | V | V | V |
| CC157 | 70030004 | BOLT, RR SUSPENSION LOWER | 4   | 4     |         | V           | V | V | V |

## 7002-1. SUSPENSION FRONT (KINGCOBRA &amp; ESTOC)



## APPLICATION

A Kingcobra ixd

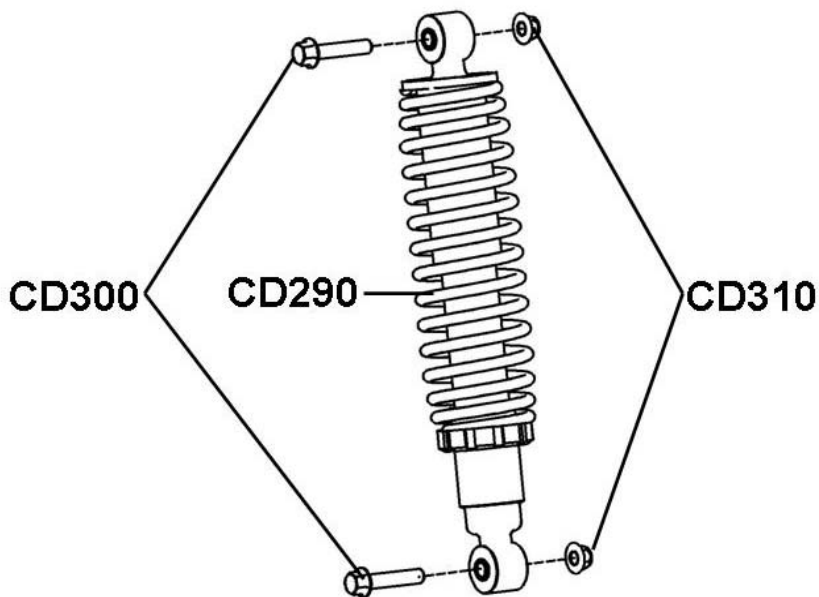
B Estoc

C Gladiator

D Quadrift

| PNC   | PART_NO  | PART_NAME                                   | Qty |       | REMARK   | APPLICATION |   |   |   |
|-------|----------|---|-----|-------|----------|-------------|---|---|---|
|       |          |   | ixd | Estoc |          | A           | B | C | D |
| CD010 | 70028007 | ARM ASSY, FR SUSPENSION LOWER LH            | 1   | 0     | OFF ROAD | V           | X | X | X |
|       | 70028009 | ARM ASSY, FR SUSPENSION LOWER LH            | 0   | 1     | ON ROAD  | X           | V | X | X |
| CD050 | 70028008 | ARM ASSY, FR SUSPENSION LOWER RH            | 1   | 0     | OFF ROAD | V           | X | X | X |
|       | 70028010 | ARM ASSY, FR SUSPENSION LOWER RH            | 0   | 1     | ON ROAD  | X           | V | X | X |
| CD090 | 70020005 | BOLT, FR SUSPENSION LOWER                   | 4   | 4     |          | V           | V | V | V |
| CD100 | 70020006 | NUT, SUSPENSION                             | 4   | 4     |          | V           | V | V | V |
| CD110 | 70028011 | ARM ASSY, FR SUSPENSION UPPER LH (OFF-ROAD) | 1   | 0     | OFF ROAD | V           | X | X | X |
|       | 70028013 | ARM ASSY, FR SUSPENSION UPPER LH (ON-ROAD)  | 0   | 1     | ON ROAD  | X           | V | X | X |
| CD190 | 70028012 | ARM ASSY, FR SUSPENSION UPPER RH (OFF-ROAD) | 1   | 0     | OFF ROAD | V           | X | X | X |
|       | 70028014 | ARM ASSY, FR SUSPENSION UPPER RH (ON-ROAD)  | 0   | 1     | ON ROAD  | X           | V | X | X |
| CD140 | 70020010 | SEAL, SUSPENSION ARM PIVOT                  | 2   | 2     |          | V           | V | V | V |
| CD160 | 70046005 | END, KNUCKLE STEERING                       | 1   | 1     |          | V           | V | V | V |
| CD170 | RCS034   | RETAIN C-RING - SHAFT USE                   | 1   | 1     |          | V           | V | V | V |
| CD270 | 70020012 | BOLT, FR SUSPENSION UPPER                   | 2   | 2     |          | V           | V | V | V |
| CD280 | 70020006 | NUT, SUSPENSION                             | 2   | 2     |          | V           | V | V | V |
| CD320 | 70026006 | PROTECTOR, DRIVE SHAFT RH                   | 1   | 1     |          | V           | V | X | X |
| CD330 | 70026005 | PROTECTOR, DRIVE SHAFT LH                   | 1   | 1     |          | V           | V | X | X |
| CD340 | 70010005 | BOLT, PROTECTOR                             | 6   | 6     |          | V           | V | V | V |

7002-2. SUSPENSION FRONT (KINGCOBRA & ESTOC)



**APPLICATION**

**A Kingcobra ixd**

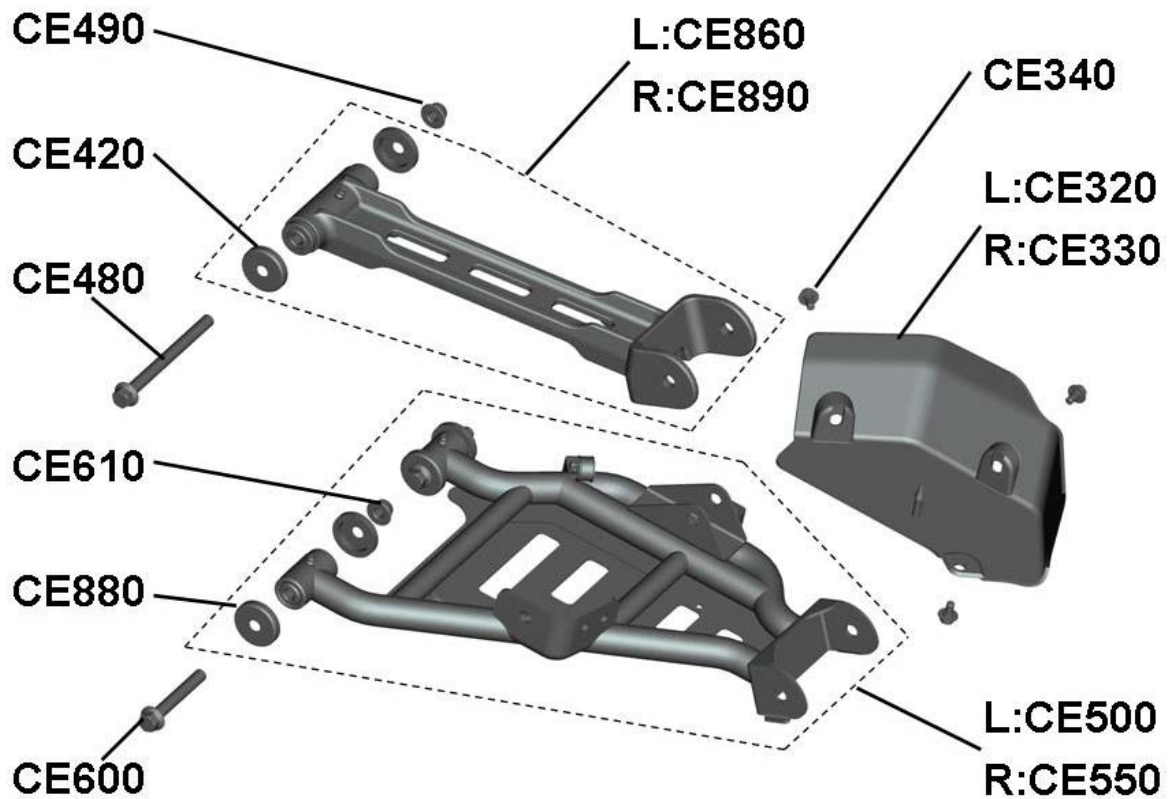
**B Estoc**

**C Gladiator**

**D Quadrift**

| PNC   | PART_NO  | PART_NAME              | Qty |       | REMARK   | APPLICATION |   |   |   |
|-------|----------|------------------------|-----|-------|----------|-------------|---|---|---|
|       |          |                        | ixd | Estoc |          | A           | B | C | D |
| CD290 | 70026003 | ABSORBER ASSY., F_A    | 2   | 0     | OFF ROAD | V           | X | X | X |
|       | 70026008 | ABSORBER ASSY., F_B_XB | 0   | 2     | ON ROAD  | X           | V | X | X |
| CD300 | 70020017 | BOLT, ABSORBER         | 4   | 4     |          | V           | V | V | V |
| CD310 | 70020006 | NUT, SUSPENSION        | 4   | 4     |          | V           | V | V | V |

## 7003-1. SUSPENSION REAR (KINGCOBRA &amp; ESTOC)



## APPLICATION

A Kingcobra ixd

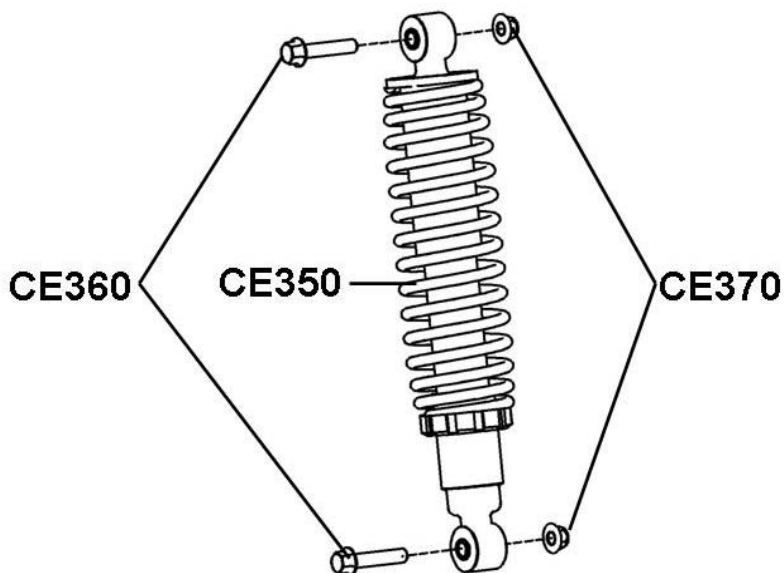
B Estoc

C Gladiator

D Quadrift

| PNC   | PART_NO  | PART_NAME                                   | Qty |       | REMARK | APPLICATION |   |   |   |
|-------|----------|---|-----|-------|--------|-------------|---|---|---|
|       |          |   | ixd | Estoc |        | A           | B | C | D |
| CE320 | 70030017 | PROTECTOR L.H.R.                            | 1   | 1     |        | V           | V | V | V |
| CE330 | 70030018 | PROTECTOR R.H.R.                            | 1   | 1     |        | V           | V | V | V |
| CE340 | 70010005 | BOLT, PROTECTOR                             | 6   | 6     |        | V           | V | V | V |
| CE500 | 70038011 | ARM ASSY, RR SUSPENSION LOWER LH (OFF-ROAD) | 1   | 0     |        | V           | X | X | X |
|       | 70038017 | ARM ASSY, RR SUSPENSION LOWER LH (ON-ROAD)  | 0   | 1     |        | X           | V | X | X |
| CE550 | 70038012 | ARM ASSY, RR SUSPENSION LOWER RH (OFF-ROAD) | 1   | 0     |        | V           | X | X | X |
|       | 70038018 | ARM ASSY, RR SUSPENSION LOWER RH (ON-ROAD)  | 0   | 1     |        | X           | V | X | X |
| CE420 | 70020010 | SEAL, SUSPENSION ARM PIVOT                  | 4   | 4     |        | V           | V | V | V |
| CE480 | 70030007 | BOLT, RR SUSPENSION UPPER                   | 2   | 2     |        | V           | V | V | V |
| CE490 | 70020006 | NUT, SUSPENSION                             | 2   | 2     |        | V           | V | V | V |
| CE600 | 70030004 | BOLT, RR SUSPENSION LOWER                   | 4   | 4     |        | V           | V | V | V |
| CE610 | 70020006 | NUT, SUSPENSION                             | 4   | 4     |        | V           | V | V | V |
| CE860 | 70038013 | ARM ASSY, RR SUSPENSION UPPER LH (OFF-ROAD) | 1   | 0     |        | V           | X | X | X |
|       | 70038015 | ARM ASSY, RR SUSPENSION UPPER LH(ON-ROAD)   | 0   | 1     |        | X           | V | X | X |
| CE890 | 70038014 | ARM ASSY, RR SUSPENSION UPPER RH (OFF-ROAD) | 1   | 0     |        | V           | X | X | X |
|       | 70038016 | ARM ASSY, RR SUSPENSION UPPER RH(ON-ROAD)   | 0   | 1     |        | X           | V | X | X |
| CE880 | 70020010 | SEAL, SUSPENSION ARM PIVOT                  | 8   | 8     |        | V           | V | V | V |

7003-2. SUSPENSION REAR (KINGCOBRA & ESTOC)



**APPLICATION**

**A Kingcobra ixd**

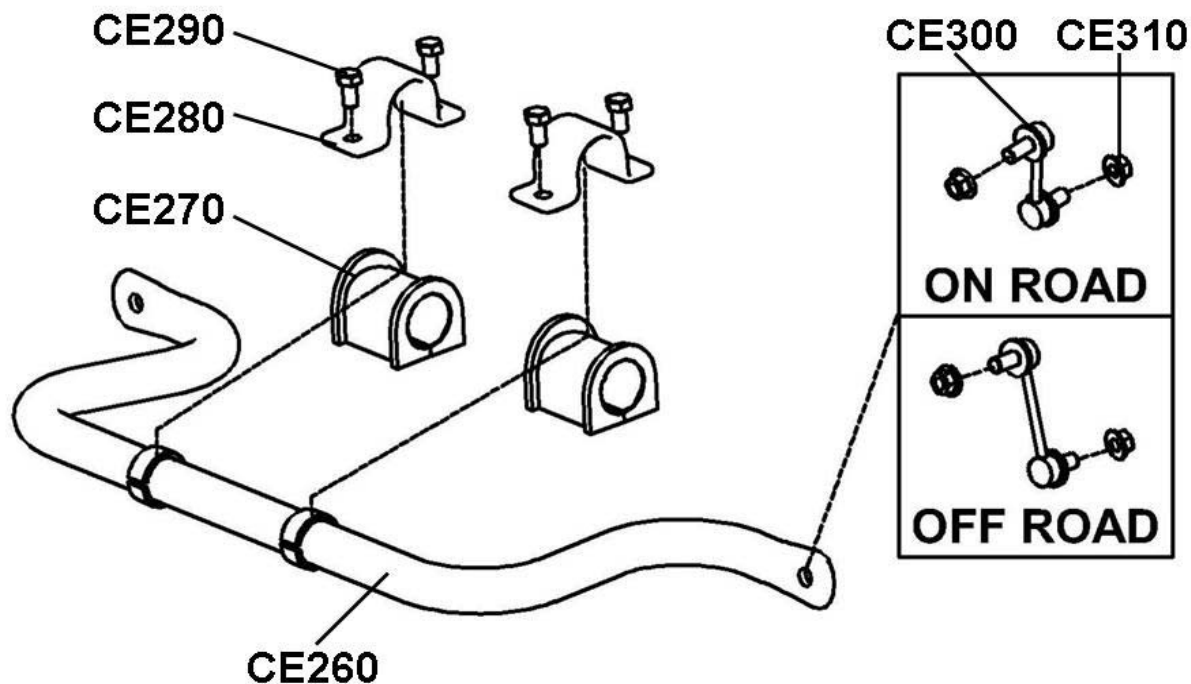
**B Estoc**

**C Gladiator**

**D Quadrift**

| PNC   | PART_NO  | PART_NAME              | Qty |       | REMARK   | APPLICATION |   |   |   |
|-------|----------|------------------------|-----|-------|----------|-------------|---|---|---|
|       |          |                        | ixd | Estoc |          | A           | B | C | D |
| CE350 | 70036009 | ABSORBER ASSY., R_A    | 2   | 0     | OFF ROAD | V           | X | X | X |
|       | 70036011 | ABSORBER ASSY., R_B_XB | 0   | 2     | ON ROAD  | X           | V | X | X |
| CE360 | 70020017 | BOLT, ABSORBER         | 4   | 4     |          | V           | V | V | V |
| CE370 | 70020006 | NUT, SUSPENSION        | 4   | 4     |          | V           | V | V | V |

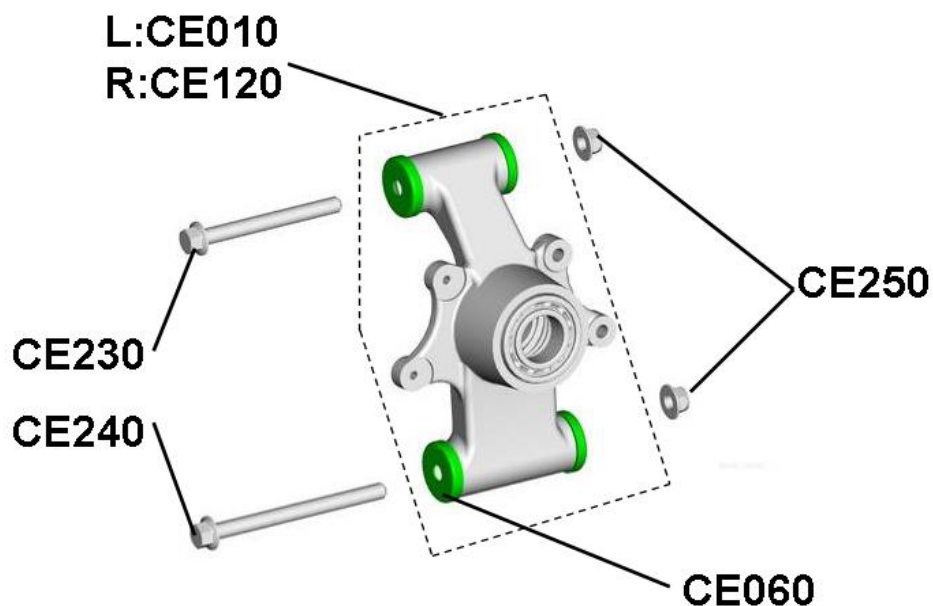
7003-3. SUSPENSION REAR (KINGCOBRA & ESTOC)



**APPLICATION**  
**A Kingcobra ixd**  
**B Estoc**  
**C Gladiator**  
**D Quadrift**

| PNC   | PART_NO     | PART_NAME                         | Qty |       | REMARK   | APPLICATION |   |   |   |
|-------|-------------|-----------------------------------|-----|-------|----------|-------------|---|---|---|
|       |             |                                   | ixd | Estoc |          | A           | B | C | D |
| CE260 | 70030014    | BAR, RR STABILIZER ( OFF-ROAD )   | 1   | 0     | OFF ROAD | V           | X | V | X |
|       | 70030020    | BAR, RR STABILIZER ( ON-ROAD )    | 0   | 1     | ON ROAD  | X           | V | X | V |
| CE270 | 70030015    | BUSH, RR STABILIZER               | 2   | 2     |          | V           | V | V | V |
| CE280 | 70030016    | PLATE, RR STABILIZER              | 2   | 2     |          | V           | V | V | V |
| CE290 | HS080151093 | HEXAGON HEAD STEEL BOLT           | 4   | 4     |          | V           | V | V | V |
| CE300 | 70036005    | JOINT, RR STABILIZER ( OFF-ROAD ) | 2   | 0     | OFF ROAD | V           | X | V | X |
|       | 70036006    | JOINT, RR STABILIZER ( ON-ROAD )  | 0   | 2     | ON ROAD  | X           | V | X | V |
| CE310 | 70020006    | NUT, SUSPENSION                   | 4   | 4     |          | V           | V | V | V |

7003-4. SUSPENSION REAR (KINGCOBRA & ESTOC)

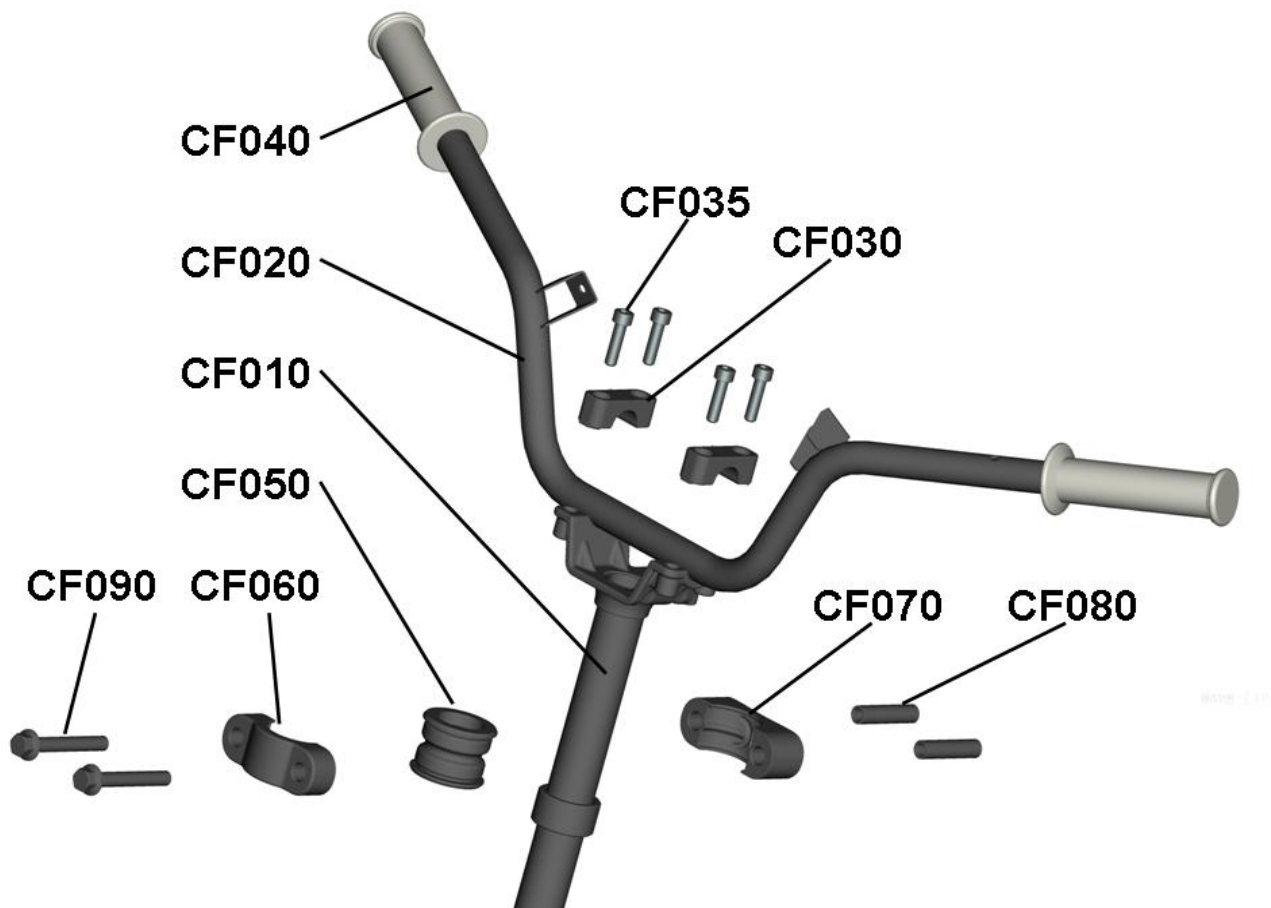


**APPLICATION**  
**A Kingcobra ixd**  
**B Estoc**  
**C Gladiator**  
**D Quadrift**

| PNC   | PART_NO  | PART_NAME                      | Qty |       | REMARK | APPLICATION |   |   |   |
|-------|----------|--------------------------------|-----|-------|--------|-------------|---|---|---|
|       |          |                                | ixd | Estoc |        | A           | B | C | D |
| CE010 | 70038019 | KNUCKLE ASSY, RR SUSPENSION LH | 1   | 1     |        | V           | V | V | V |
| CE120 | 70038020 | KNUCKLE ASSY, RR SUSPENSION RH | 1   | 1     |        | V           | V | V | V |
| CE060 | 70020010 | SEAL, SUSPENSION ARM PIVOT     | 8   | 8     |        | V           | V | V | V |
| CE230 | 70030027 | BOLT, RR KNUCKLE UPPER         | 2   | 2     |        | V           | V | X | X |
| CE240 | 70030007 | BOLT, RR SUSPENSION UPPER      | 2   | 2     |        | V           | V | V | V |
| CE250 | 70020006 | NUT, SUSPENSION                | 4   | 4     |        | V           | V | V | V |



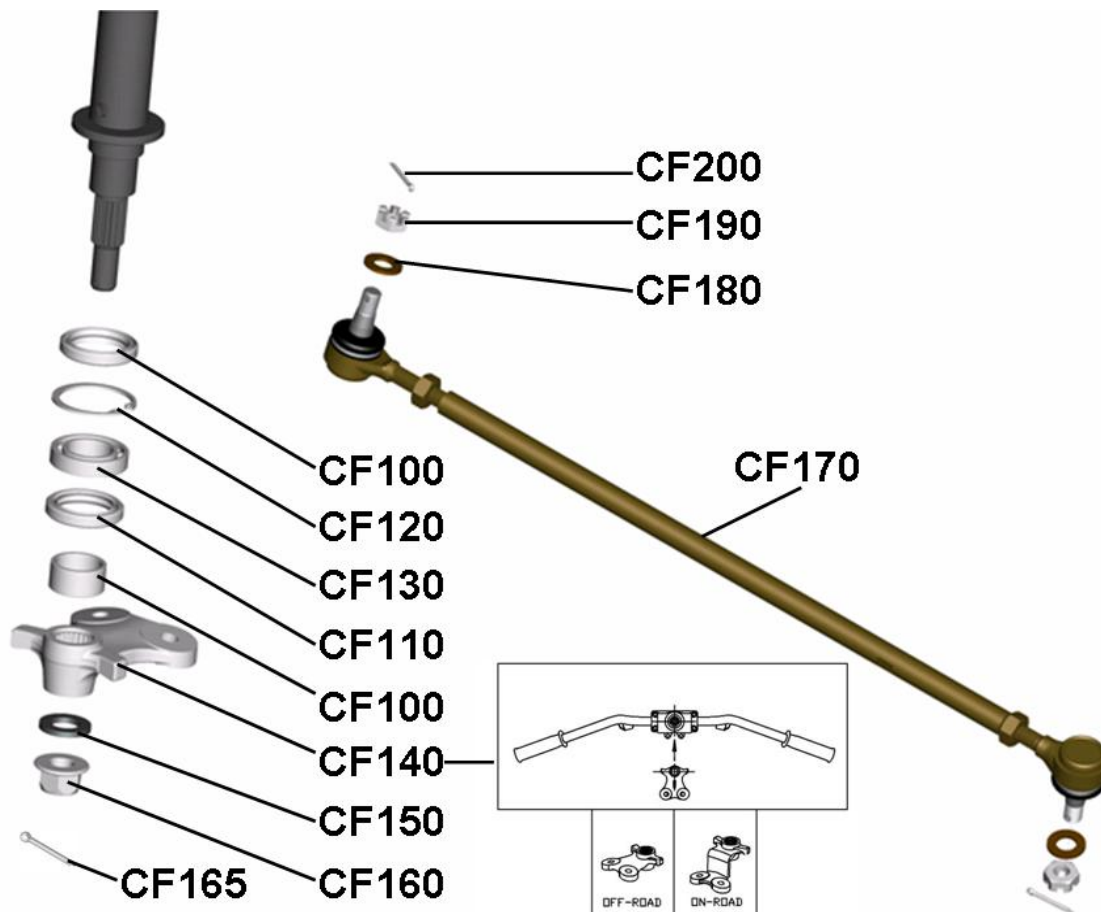
## 7004-1. STEERING (KINGCOBRA &amp;

**APPLICATION**

**A Kingcobra ixd**  
**B Estoc**  
**C Gladiator**  
**D Quadrift**

| PNC   | PART_NO      | PART_NAME                        | Qty |       | REMARK | APPLICATION |   |   |   |
|-------|--------------|----------------------------------|-----|-------|--------|-------------|---|---|---|
|       |              |                                  | ixd | Estoc |        | A           | B | C | D |
| CF010 | 70040021     | SHAFT, STEERING                  | 1   | 1     |        | V           | V | X | X |
| CF020 | 70040024     | HANDLE BAR                       | 1   | 1     |        | V           | V | X | X |
| CF030 | 70040030     | CLAMP, HANDLE BAR UPPER - FINISH | 2   | 2     |        | V           | V | X | X |
| CF035 | SC080301093  | HEXAGON SOCKET HEAD CAP SCREWS   | 4   | 4     |        | V           | V | V | V |
| CF040 | 70046001     | GRIP                             | 2   | 2     |        | V           | V | V | V |
| CF050 | 70040004     | BUSH, STEERING SHAFT HOLDER      | 1   | 1     |        | V           | V | V | V |
| CF060 | 70040005     | HOLDER, STEERING SHAFT, FRONT    | 1   | 1     |        | V           | V | V | V |
| CF070 | 70040006     | HOLDER, STEERING SHAFT, REAR     | 1   | 1     |        | V           | V | V | V |
| CF080 | 70040007     | COLLAR, STEERING HOLDER          | 2   | 2     |        | V           | V | V | V |
| CF090 | BFH080700884 | HEXAGON BOLT WITH FLANGE         | 2   | 2     |        | V           | V | V | V |

## 7004-2. STEERING (KINGCOBRA &amp;



## APPLICATION

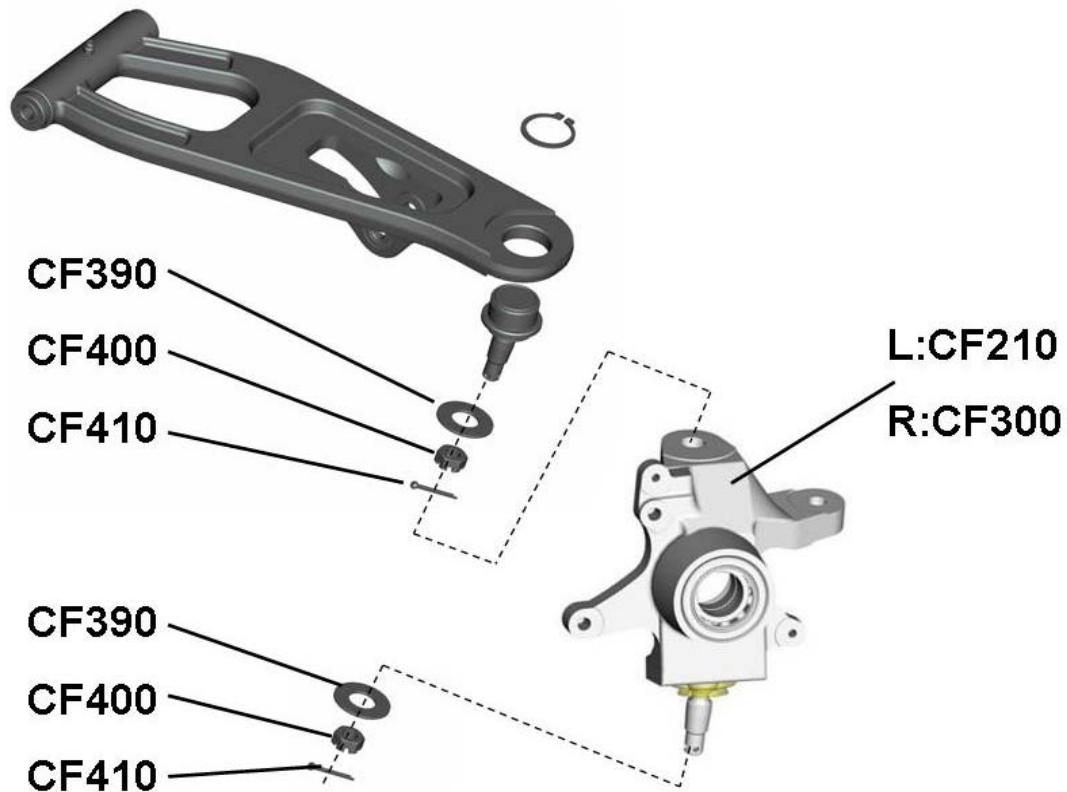
A Kingcobra ixd

B Estoc

C Gladiator

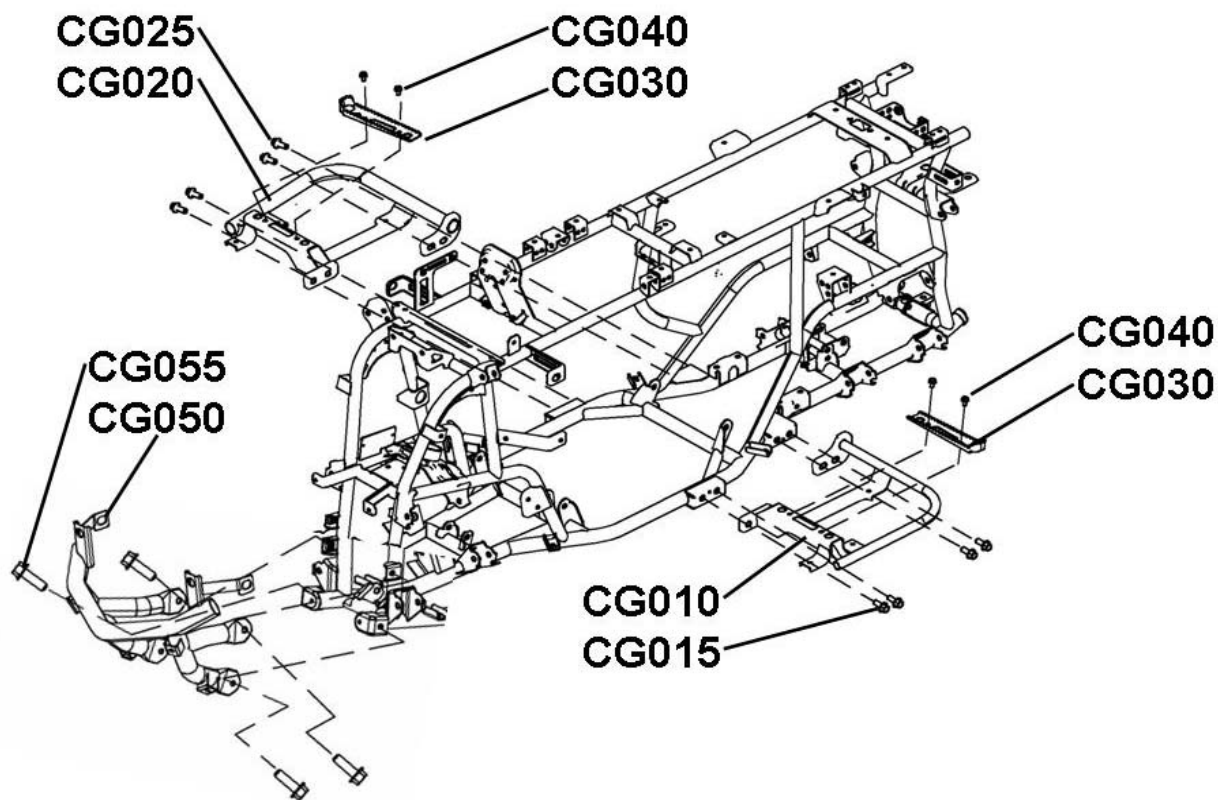
D Quadrift

| PNC   | PART_NO  | PART_NAME                            | Qty |       | REMARK   | APPLICATION |   |   |   |
|-------|----------|--------------------------------------|-----|-------|----------|-------------|---|---|---|
|       |          |                                      | ixd | Estoc |          | A           | B | C | D |
| CF100 | 40150007 | SEAL-CRANK FRONT                     | 2   | 2     |          | V           | V | V | V |
| CF110 | 70046009 | DEEP GROOVE BALL BEARING WITH GREASE | 1   | 1     |          | V           | V | V | V |
| CF120 | RCH042   | RETAIN RING-C HOLE USE               | 1   | 1     |          | V           | V | V | V |
| CF130 | 70040009 | COLLAR, STEERING SHAFT               | 1   | 1     |          | V           | V | V | V |
| CF140 | 70040010 | PLATE, STEERING SHAFT (OFF-ROAD)     | 1   | 0     | OFF ROAD | V           | X | V | X |
|       | 70040028 | PLATE, STEERING SHAFT (ON-ROAD)      | 0   | 1     | ON ROAD  | X           | V | X | X |
| CF150 | 70046006 | STEEL PLAIN WASHER( $\varphi$ 14.5)  | 1   | 1     |          | V           | V | V | V |
| CF160 | 70040011 | NUT, STEERING SHAFT                  | 1   | 1     |          | V           | V | V | V |
| CF165 | 70040017 | SPLIT PIN, KNUCKLE                   | 1   | 1     |          | V           | V | V | V |
| CF170 | 70046012 | TIE ROD ASSY.(OFF-ROAD)              | 2   | 0     | OFF ROAD | V           | X | X | X |
|       | 70046011 | TIE ROD ASSY.(ON-ROAD)               | 0   | 2     | ON ROAD  | X           | V | X | X |
| CF180 | 70046007 | STEEL PLAIN WASHER( $\varphi$ 10.5)  | 4   | 4     |          | V           | V | V | V |
| CF190 | 70040012 | NUT, TIE ROD                         | 4   | 4     |          | V           | V | V | V |
| CF200 | 60090010 | SPLIT PIN - PEDAL                    | 4   | 4     |          | V           | V | V | V |

**7004-3. STEERING (KINGCOBRA & ESTOC)**

**APPLICATION**
**A Kingcobra ixd**
**B Estoc**
**C Gladiator**
**D Quadrift**

| PNC   | PART_NO  | PART_NAME                            | Qty |       | REMARK   | APPLICATION |   |   |   |
|-------|----------|--------------------------------------|-----|-------|----------|-------------|---|---|---|
|       |          |                                      | ixd | Estoc |          | A           | B | C | D |
| CF210 | 70048007 | KNUCKLE ASSY, STEERING LH (OFF-ROAD) | 1   | 0     | OFF ROAD | V           | X | X | X |
|       | 70048005 | KNUCKLE ASSY, STEERING LH (ON-ROAD)  | 0   | 1     | ON ROAD  | X           | V | X | X |
| CF300 | 70048008 | KNUCKLE ASSY, STEERING RH (OFF-ROAD) | 1   | 0     | OFF ROAD | V           | X | X | X |
|       | 70048006 | KNUCKLE ASSY, STEERING RH (ON-ROAD)  | 0   | 1     | ON ROAD  | X           | V | X | X |
| CF390 | 70046008 | STEEL PLAIN WASHER(ψ12.5)            | 4   | 4     |          | V           | V | V | V |
| CF400 | 70040016 | NUT, KNUCKLE                         | 4   | 4     |          | V           | V | V | V |
| CF410 | 70040017 | SPLIT PIN, KNUCKLE                   | 4   | 4     |          | V           | V | V | V |

7005-1. SUB FRAME (KINGCOBRA & ESTOC)



APPLICATION

A Kingcobra ixd

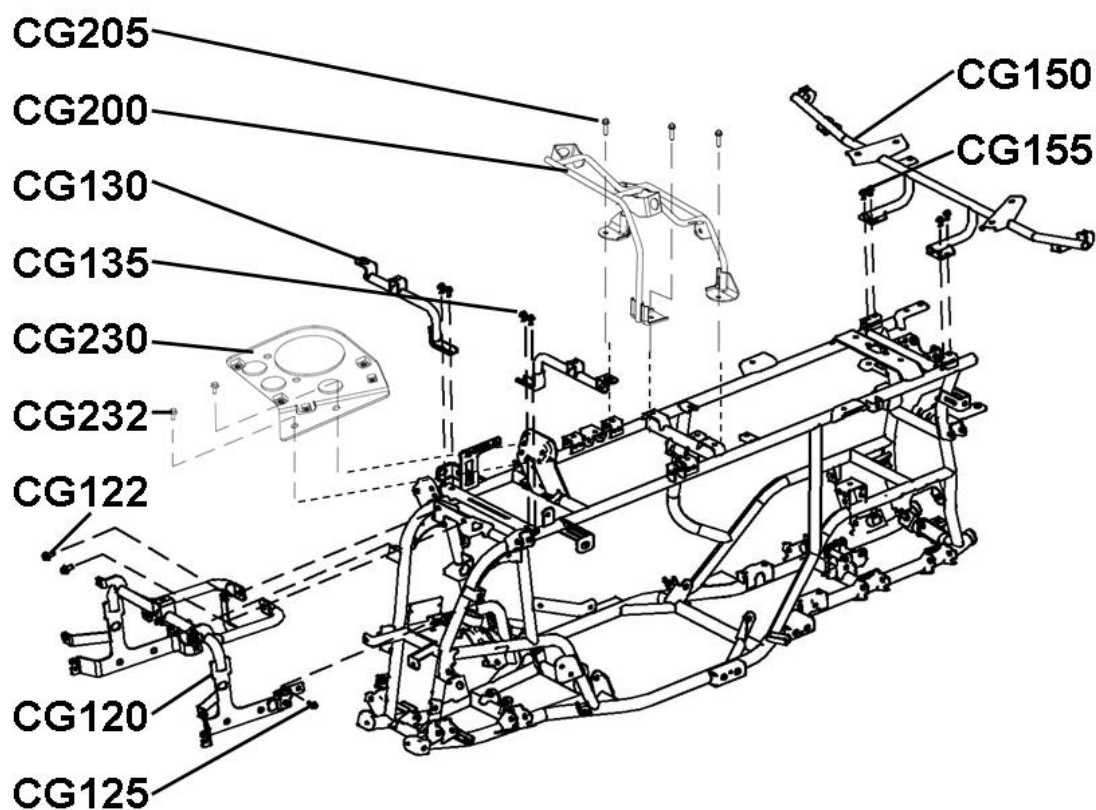
B Estoc

C Gladiator

D Quadrift

| PNC   | PART_NO       | PART_NAME                | Qty |       | REMARK | APPLICATION |   |   |   |
|-------|---------------|--------------------------|-----|-------|--------|-------------|---|---|---|
|       |               |                          | ixd | Estoc |        | A           | B | C | D |
| CG010 | 70050018      | FOOTREST, FRONT LH       | 1   | 1     |        | V           | V | X | X |
| CG015 | BFH100251094f | HEXAGON BOLT WITH FLANGE | 4   | 4     |        | V           | V | V | V |
| CG020 | 70050019      | FOOTREST, FRONT RH       | 1   | 1     |        | V           | V | X | X |
| CG025 | BFH100251094f | HEXAGON BOLT WITH FLANGE | 4   | 4     |        | V           | V | V | V |
| CG030 | 70050003      | PLATE, FOOTREST          | 2   | 2     |        | V           | V | V | V |
| CG040 | BFH060140884  | HEXAGON BOLT WITH FLANGE | 4   | 4     |        | V           | V | V | V |
| CG050 | 70050020      | BUMPER, FRONT            | 1   | 1     |        | V           | V | X | X |
| CG055 | BFH080180884  | HEXAGON BOLT WITH FLANGE | 4   | 4     |        | V           | V | V | V |

## 7005-2. SUB FRAME (KINGCOBRA &amp; ESTOC)



## APPLICATION

A Kingcobra ixd

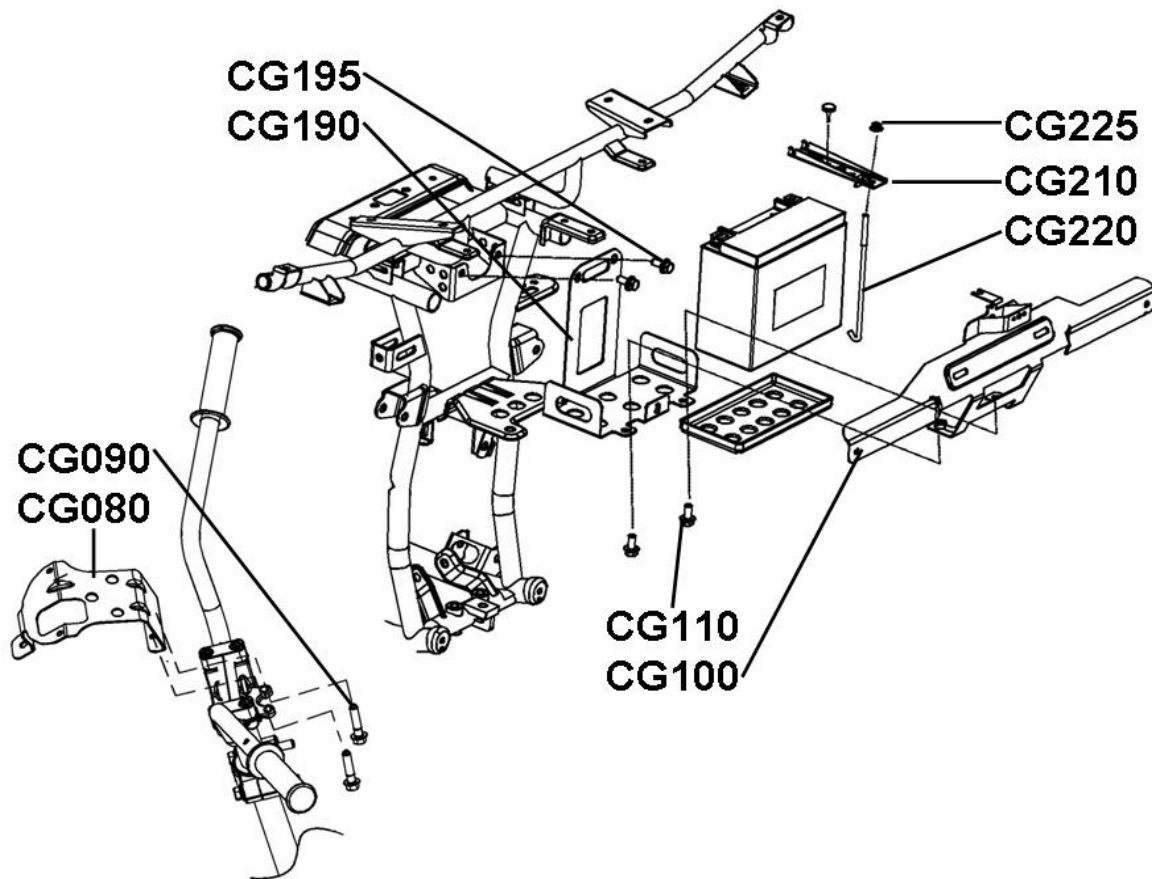
B Estoc

C Gladiator

D Quadrift

| PNC   | PART_NO      | PART_NAME                | Qty |       | REMARK | APPLICATION |   |   |   |
|-------|--------------|--------------------------|-----|-------|--------|-------------|---|---|---|
|       |              |                          | ixd | Estoc |        | A           | B | C | D |
| CG120 | 70050023     | MOUNTING, FRONT          | 1   | 1     |        | V           | V | X | X |
| CG122 | BFH080180884 | HEXAGON BOLT WITH FLANGE | 2   | 2     |        | V           | V | V | V |
| CG125 | BFH060140884 | HEXAGON BOLT WITH FLANGE | 2   | 2     |        | V           | V | V | V |
| CG130 | 70050024     | BKT, FENDER              | 2   | 2     |        | V           | V | X | X |
| CG135 | BFH060140884 | HEXAGON BOLT WITH FLANGE | 4   | 4     |        | V           | V | V | V |
| CG150 | 70050035     | MOUNTING, REAR           | 1   | 1     |        | V           | V | X | X |
| CG155 | BFH060140884 | HEXAGON BOLT WITH FLANGE | 4   | 4     |        | V           | V | V | V |
| CG200 | 70050039     | HOLDER, SEAT             | 1   | 1     |        | V           | V | X | X |
| CG205 | BFH060140884 | HEXAGON BOLT WITH FLANGE | 3   | 3     |        | V           | V | V | V |
| CG230 | 70050050     | PLATE, TRANSMISSION      | 1   | 1     |        | V           | V | X | X |
| CG232 | BFH080150884 | HEXAGON BOLT WITH FLANGE | 2   | 2     |        | V           | V | V | V |

## 7005-3. SUB FRAME (KINGCOBRA &amp; ESTOC)



## APPLICATION

A Kingcobra ixd

B Estoc

C Gladiator

D Quadrift

| PNC   | PART_NO      | PART_NAME                | Qty |       | REMARK | APPLICATION |   |   |   |
|-------|--------------|--------------------------|-----|-------|--------|-------------|---|---|---|
|       |              |                          | ixd | Estoc |        | A           | B | C | D |
| CG080 | 70050021     | BKT, SPEEDMETER          | 1   | 1     |        | V           | V | X | X |
| CG090 | BFH060180884 | HEXAGON BOLT WITH FLANGE | 2   | 2     |        | V           | V | V | V |
| CG100 | 70050022     | BKT, LICENCE PLATE       | 1   | 1     |        | V           | V | X | X |
| CG110 | BFH080180884 | HEXAGON BOLT WITH FLANGE | 2   | 2     |        | V           | V | V | V |
| CG190 | 70050038     | HOLDER, BATTERY          | 1   | 1     |        | V           | V | X | X |
| CG195 | BFH080180884 | HEXAGON BOLT WITH FLANGE | 2   | 2     |        | V           | V | V | V |
| CG210 | 70050040     | PLATE, BATTERY           | 1   | 1     |        | V           | V | X | X |
| CG220 | 70056002     | ROD, BATTERY             | 1   | 1     |        | V           | V | X | X |
| CG225 | 60090014     | NUT - PEDAL              | 1   | 1     |        | V           | V | V | V |

1706. WIRING HARNESS / ECU

E1020



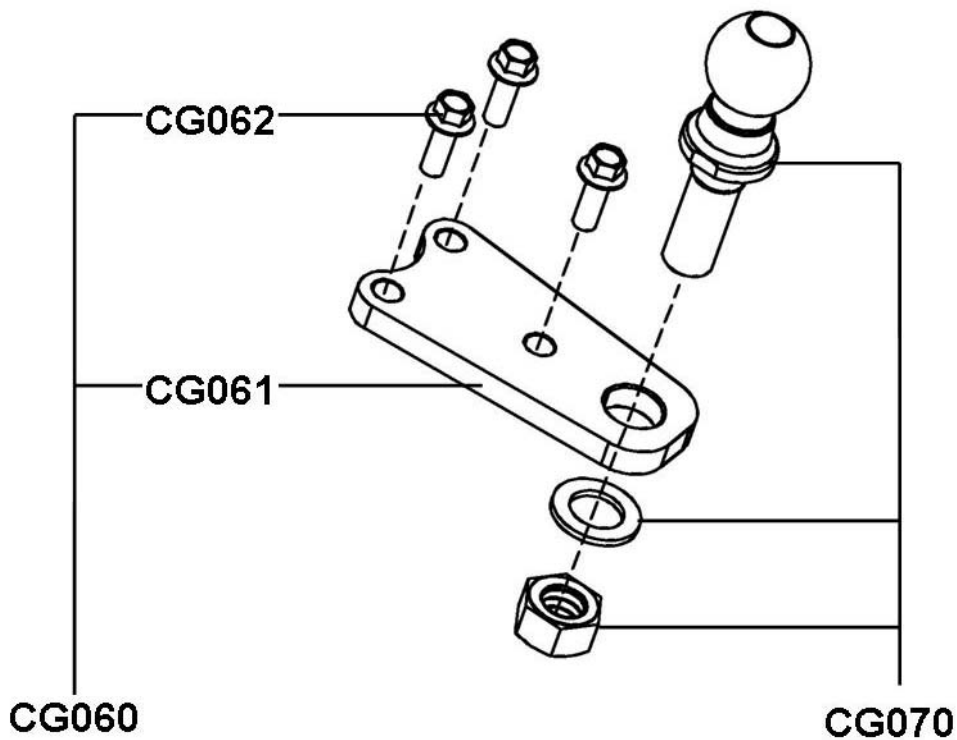
**APPLICATION**

- A Kingcobra ix
- B Kingcobra ixd
- C Estoc
- D Gladiator
- E Quadrif

| INDEX | PNC   | PART_NO  | PART_NAME | QTY |     | REMARK                  | APPLICATION |   |   |   |   |
|-------|-------|----------|-----------|-----|-----|-------------------------|-------------|---|---|---|---|
|       |       |          |           | 4WD | 2WD |                         | A           | B | C | D | E |
| 1706  | E1020 | 17066009 | ECM       | 1   | 1   | GLADIATOR /<br>QUADRIFT | X           | X | X | V | V |
|       |       | 17066051 | ECM       | 1   | 1   | KINGCOBRA /<br>ESTOC    | V           | V | V | X | X |



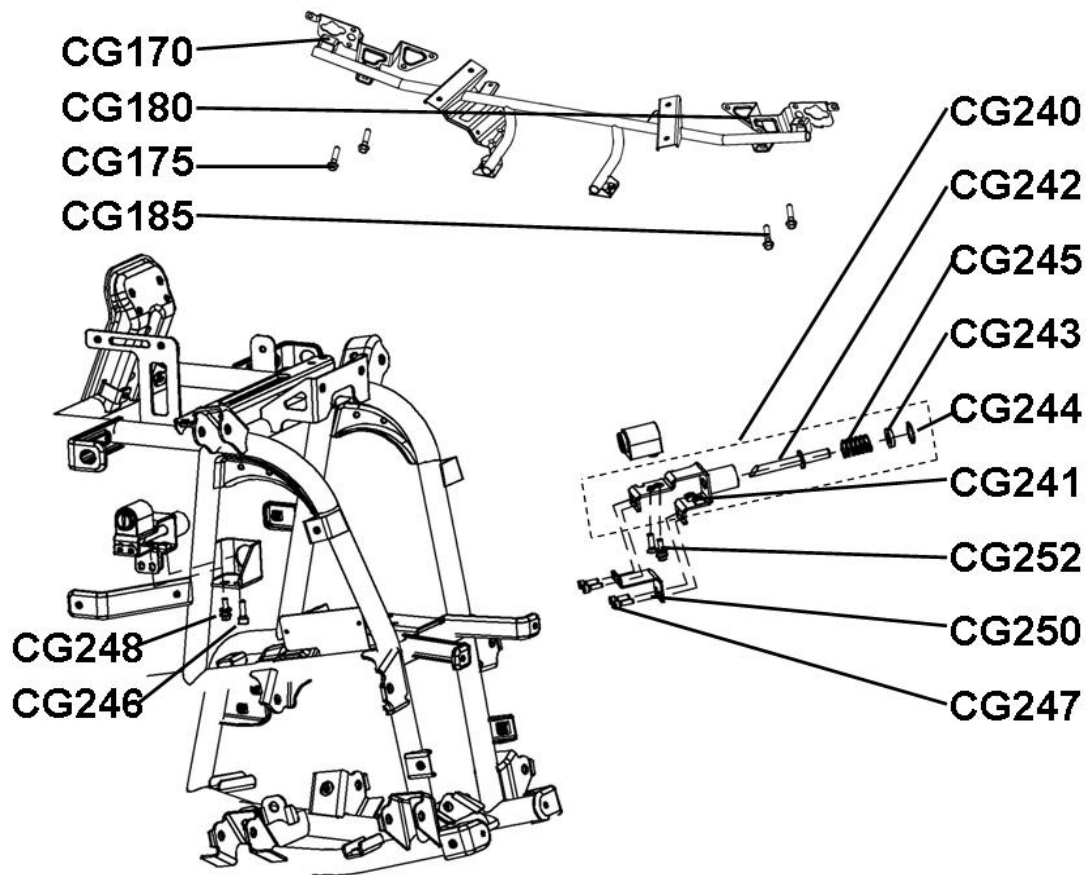
7005-4. SUB FRAME (KINGCOBRA & ESTOC)



**APPLICATION**  
**A Kingcobra ixd**  
**B Estoc**  
**C Gladiator**  
**D Quadrift**

| PNC   | PART_NO      | PART_NAME                   | Qty |       | REMARK | APPLICATION |   |   |   |
|-------|--------------|-----------------------------|-----|-------|--------|-------------|---|---|---|
|       |              |                             | ixd | Estoc |        | A           | B | C | D |
| CG070 | 70056005     | BALL, TRAILER TOW           | 1   | 1     | e4     | V           | V | V | V |
| CG060 | 970058003    | TRAILER TOW ASSY. - E4 LONG | 1   | 1     | e4     | V           | V | V | V |
| CG061 | 70050072     | PLATE, TRAILER TOW          | 1   | 1     | e4     | V           | V | V | V |
| CG062 | BFH100251094 | HEXAGON BOLT WITH FLANGE    | 3   | 3     | e4     | V           | V | V | V |

## 7005-5. SUB FRAME (KINGCOBRA &amp; ESTOC)



## APPLICATION

A Kingcobra ixd

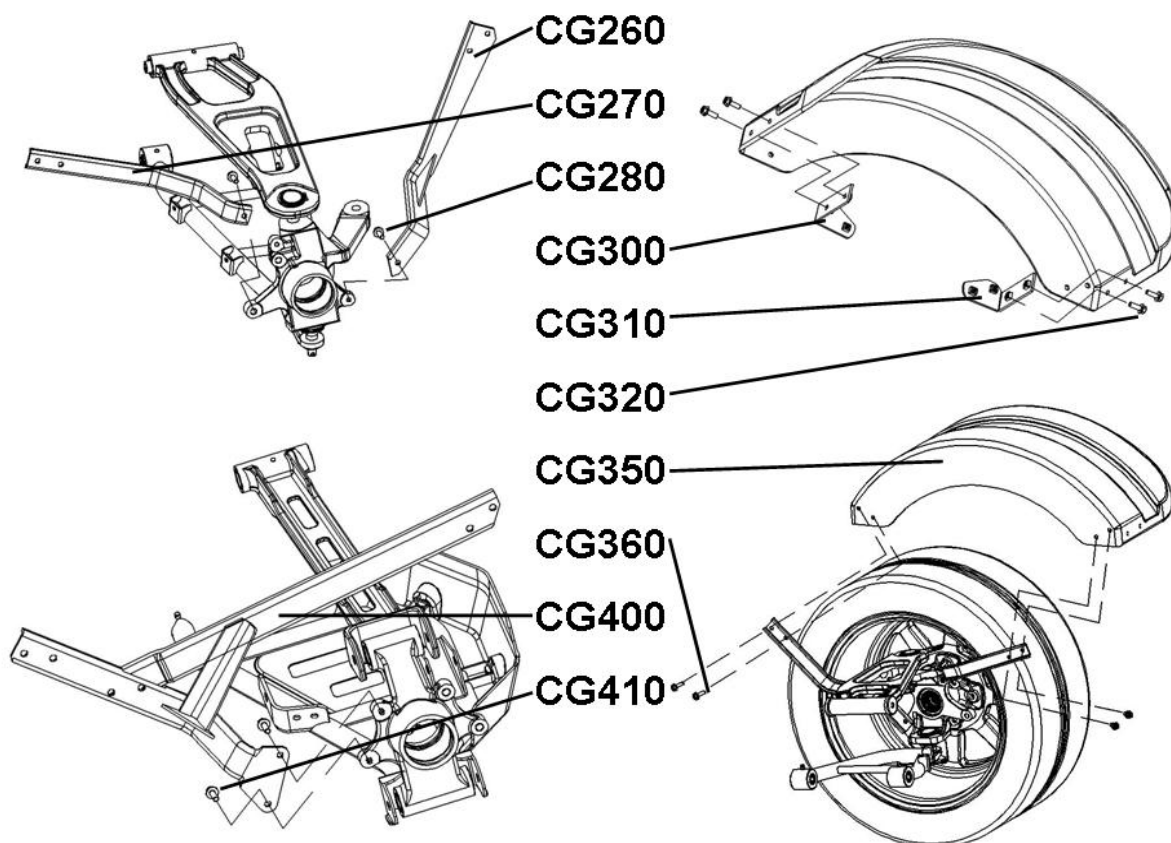
B Estoc

C Gladiator

D Quadrift

| PNC   | PART_NO      | PART_NAME                      | Qty |       | REMARK | APPLICATION |   |   |   |
|-------|--------------|--------------------------------|-----|-------|--------|-------------|---|---|---|
|       |              |                                | ixd | Estoc |        | A           | B | C | D |
| CG170 | 70050041     | BKT-R, REAR LAMP               | 1   | 1     |        | V           | V | X | X |
| CG175 | BFH060140884 | HEXAGON BOLT WITH FLANGE       | 2   | 2     |        | V           | V | V | V |
| CG180 | 70050037     | BKT-L, REAR LAMP               | 1   | 1     |        | V           | V | X | X |
| CG185 | BFH060140884 | HEXAGON BOLT WITH FLANGE       | 2   | 2     |        | V           | V | V | V |
| CG240 | 70058006     | BKT_ASSY., LOCK - UPPER        | 1   | 1     |        | V           | V | X | X |
| CG241 | 70050051     | BKT, LOCK - UPPER              | 1   | 1     |        | V           | V | X | X |
| CG242 | 70040022     | LOCK BAR                       | 1   | 1     |        | V           | V | X | X |
| CG243 | 70040023     | LOCK STOPPER                   | 1   | 1     |        | V           | V | X | X |
| CG244 | 70046010     | RETAIN RING-C HOLE USE(RCH022) | 1   | 1     |        | V           | V | X | X |
| CG245 | 70040029     | SPRING - LOCK                  | 1   | 1     |        | V           | V | X | X |
| CG246 | SC060121293  | HEXAGON SOCKET HEAD CAP SCREWS | 1   | 1     |        | V           | V | X | X |
| CG247 | SC050081293  | HEXAGON SOCKET HEAD CAP SCREWS | 2   | 2     |        | V           | V | X | X |
| CG248 | 70056004     | BREAK HEAD BOLT                | 1   | 1     |        | V           | V | X | X |
| CG250 | 70050052     | BKT, LOCK - LOWER              | 1   | 1     |        | V           | V | X | X |
| CG252 | SC050081293  | HEXAGON SOCKET HEAD CAP SCREWS | 2   | 2     |        | V           | V | X | X |

## 7005-6. SUB FRAME (KINGCOBRA &amp; ESTOC)



## APPLICATION

A Kingcobra ixd

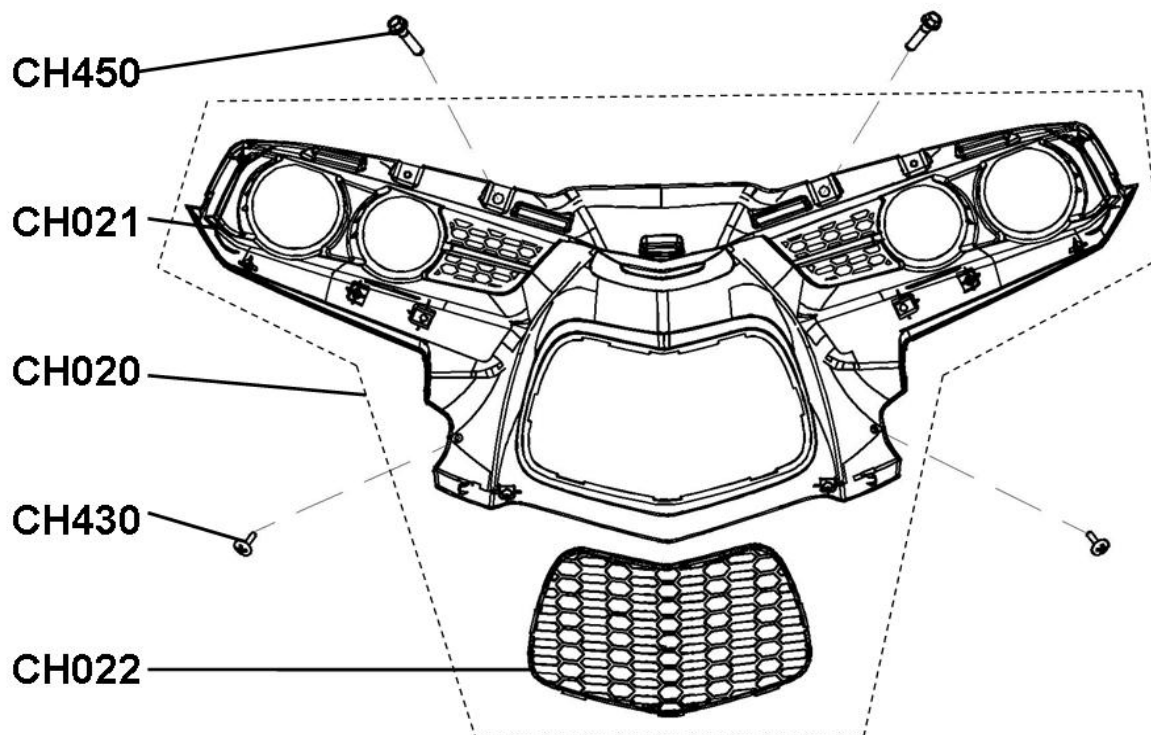
B Estoc

C Gladiator

D Quadrift

| PNC   | PART_NO      | PART_NAME                | Qty |       | REMARK | APPLICATION |   |   |   |
|-------|--------------|--------------------------|-----|-------|--------|-------------|---|---|---|
|       |              |                          | ixd | Estoc |        | A           | B | C | D |
| CG260 | 70050061     | BKT_FEMDER FL2(OFF ROAD) | 1   | 0     | LOF    | V           | X | X | X |
|       | 70050062     | BKT_FEMDER FR2(OFF ROAD) | 1   | 0     | LOF    | V           | X | X | X |
|       | 70050063     | BKT_FEMDER FL2(ON ROAD)  | 0   | 1     | LOF    | X           | V | X | X |
|       | 70050064     | BKT_FEMDER FR2(ON ROAD)  | 0   | 1     | LOF    | X           | V | X | X |
| CG270 | 70050058     | BKT_FEMDER F1(OFF ROAD)  | 2   | 0     | LOF    | V           | X | X | X |
|       | 70050059     | BKT_FEMDER FL1(ON ROAD)  | 0   | 1     | LOF    | X           | V | X | X |
|       | 70050060     | BKT_FEMDER FR1(ON ROAD)  | 0   | 1     | LOF    | X           | V | X | X |
| CG280 | BFH060141092 | HEXAGON BOLT WITH FLANGE | 4   | 4     | LOF    | V           | V | V | V |
| CG300 | 70050067     | BKT_FENDER SIDE 1        | 4   | 4     | LOF    | V           | V | V | X |
| CG310 | 70050068     | BKT_FENDER SIDE 2        | 4   | 4     | LOF    | V           | V | V | X |
| CG320 | BFH060180884 | HEXAGON BOLT WITH FLANGE | 16  | 16    |        | V           | V | V | V |
| CG350 | 80010161     | FENDER-LOF               | 4   | 4     | LOF    | V           | V | V | X |
| CG360 | BFH060180884 | HEXAGON BOLT WITH FLANGE | 16  | 16    |        | V           | V | V | V |
| CG400 | 70050065     | BKT_FENDER RL            | 1   | 1     | LOF    | V           | V | V | X |
|       | 70050066     | BKT_FENDER RR            | 1   | 1     | LOF    | V           | V | V | X |
| CG410 | BFH060141092 | HEXAGON BOLT WITH FLANGE | 4   | 4     | LOF    | V           | V | V | V |

8001-1. SHELL & FANDER (KINGCOBRA & ESTOC)



**APPLICATION**

**A Kingcobra ixd**

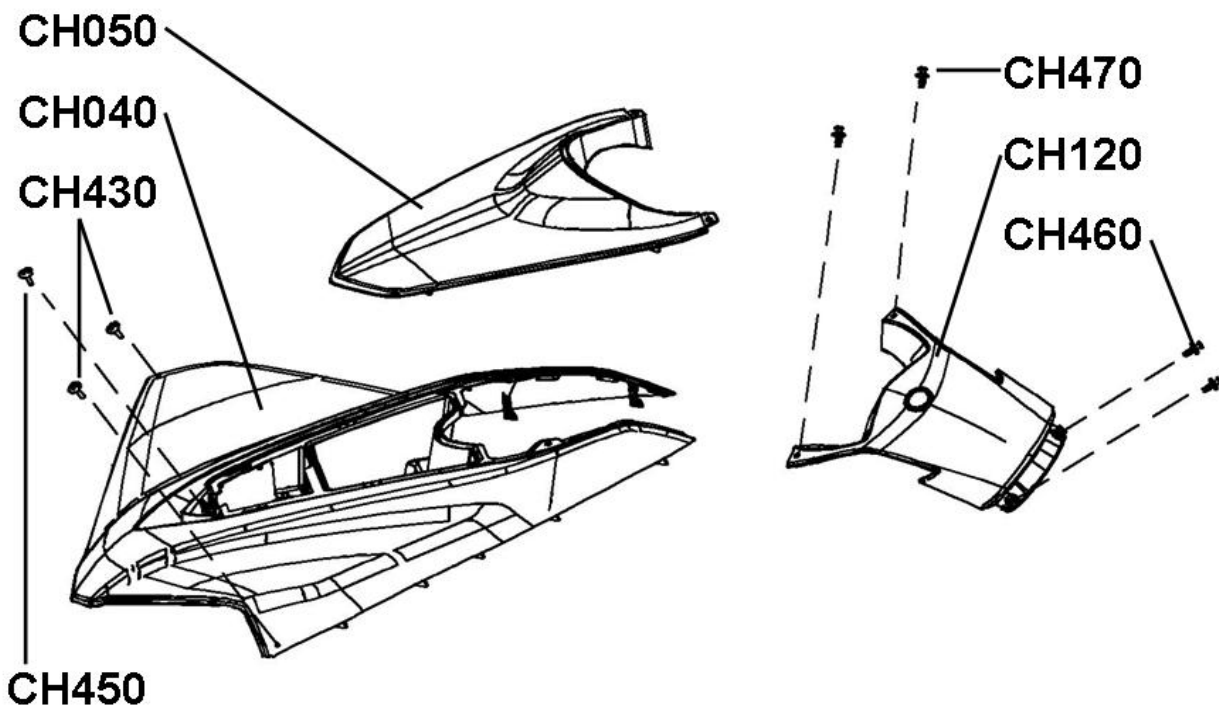
**B Estoc**

**C Gladiator**

**D Quadrift**

| PNC   | PART_NO  | PART_NAME               | Qty |       | REMARK | APPLICATION |   |   |   |
|-------|----------|-------------------------|-----|-------|--------|-------------|---|---|---|
|       |          |                         | ixd | Estoc |        | A           | B | C | D |
| CH020 | 80018014 | FRONT NOSE ASSY-B       | 1   | 1     | BLACK  | V           | V | X | X |
|       | 80018018 | FRONT NOSE ASSY-O       | 1   | 1     | ORANGE | V           | V | X | X |
|       | 80018019 | FRONT NOSE ASSY-H       | 1   | 1     | GRAY   | V           | V | X | X |
| CH021 | 80016019 | FRONT NOSE              | 1   | 1     |        | V           | V | X | X |
| CH022 | 80016020 | GRILLE                  | 1   | 1     | BLACK  | V           | V | X | X |
|       | 80016073 | GRILLE - ORANGE         | 1   | 1     | ORANGE | V           | V | X | X |
|       | 80016074 | GRILLE - GREY           | 1   | 1     | GRAY   | V           | V | X | X |
| CH430 | 80016004 | CROSS RECESSED BOLT - A | 2   | 2     |        | V           | V | V | V |
| CH450 | 70010005 | BOLT, PROTECTOR         | 2   | 2     |        | V           | V | V | V |

8001-2. SHELL & FANDER (KINGCOBRA & ESTOC)



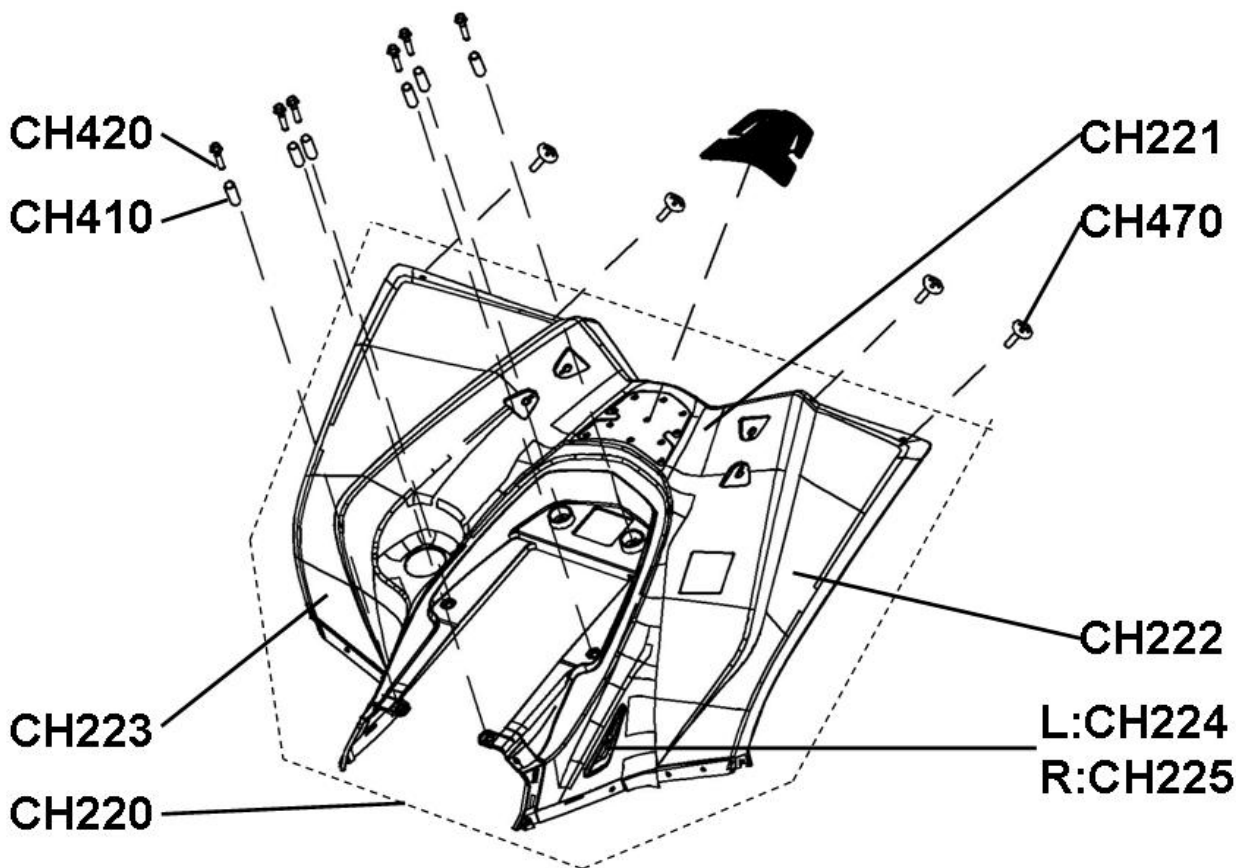
APPLICATION

- A Kingcobra ixd
- B Estoc
- C Gladiator
- D Quadrift

| PNC   | PART_NO  | PART_NAME               | Qty |       | REMARK | APPLICATION |   |   |   |
|-------|----------|-------------------------|-----|-------|--------|-------------|---|---|---|
|       |          |                         | ixd | Estoc |        | A           | B | C | D |
| CH040 | 80016021 | FENDER FRONT            | 1   | 1     | BLACK  | V           | V | X | X |
|       | 80016075 | FENDER FRONT - ORANGE   | 1   | 1     | ORANGE | V           | V | X | X |
|       | 80016076 | FENDER FRONT - GREY     | 1   | 1     | GRAY   | V           | V | X | X |
| CH050 | 80016022 | FRONT DECK              | 1   | 1     |        | V           | V | X | X |
| CH120 | 80016029 | COVER, AIR CLEANER      | 1   | 1     |        | V           | V | X | X |
|       | 80016083 | COVER, AIR CLEANER-LOF  | 1   | 1     | LOF    | V           | V | X | X |
| CH430 | 80016004 | CROSS RECESSED BOLT - A | 2   | 2     |        | V           | V | V | V |
| CH450 | 70010005 | BOLT, PROTECTOR         | 1   | 1     |        | V           | V | V | V |
| CH460 | 80016009 | RIVET A                 | 2   | 2     |        | V           | V | V | V |
| CH470 | 80016008 | RIVET B                 | 2   | 2     |        | V           | V | V | V |



8001-3. SHELL & FANDER (KINGCOBRA & ESTOC)

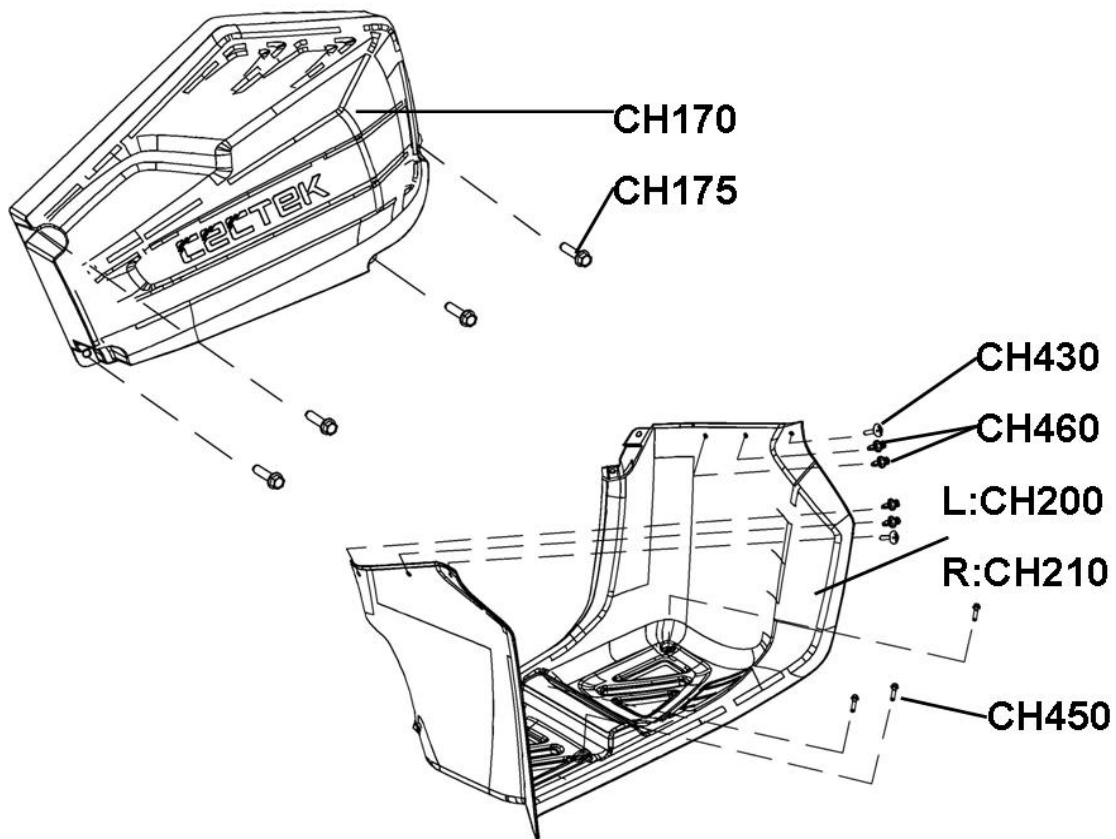


APPLICATION

- A Kingcobra ixd
- B Estoc
- C Gladiator
- D Quadrift

| PNC   | PART_NO      | PART_NAME                | Qty |       | REMARK | APPLICATION |   |   |   |
|-------|--------------|--------------------------|-----|-------|--------|-------------|---|---|---|
|       |              |                          | ixd | Estoc |        | A           | B | C | D |
| CH220 | 80018015     | FENDER REAR ASSY-B       | 1   | 1     | BLACK  | V           | V | X | X |
|       | 80018020     | FENDER REAR ASSY-O       | 1   | 1     | ORANGE | V           | V | X | X |
|       | 80016041     | FENDER REAR ASSY-H       | 1   | 1     | GRAY   | V           | V | X | X |
| CH221 | 80016039     | FENDER REAR              | 1   | 1     | BLACK  | V           | V | X | X |
|       | 80016081     | FENDER REAR - ORANGE     | 1   | 1     | ORANGE | V           | V | X | X |
|       | 80016082     | FENDER REAR - GREY       | 1   | 1     | GRAY   | V           | V | X | X |
| CH222 | 80016040     | FENDER REAR, LH          | 1   | 1     |        | V           | V | X | X |
| CH223 | 80016041     | FENDER REAR, RH          | 1   | 1     |        | V           | V | X | X |
| CH224 | 80016051     | MESH - REAR , LH         | 1   | 1     |        | V           | V | X | X |
| CH225 | 80016052     | MESH - REAR , RH         | 1   | 1     |        | V           | V | X | X |
| CH410 | 80010148     | COLLAR - FENDER          | 6   | 6     |        | V           | V | X | X |
| CH420 | BFH060180884 | HEXAGON BOLT WITH FLANGE | 6   | 6     |        | V           | V | V | V |
| CH470 | 80016008     | RIVET B                  | 4   | 4     |        | V           | V | V | V |

## 8001-4. SHELL &amp; FANDER (KINGCOBRA &amp;



## APPLICATION

A Kingcobra ixd

B Estoc

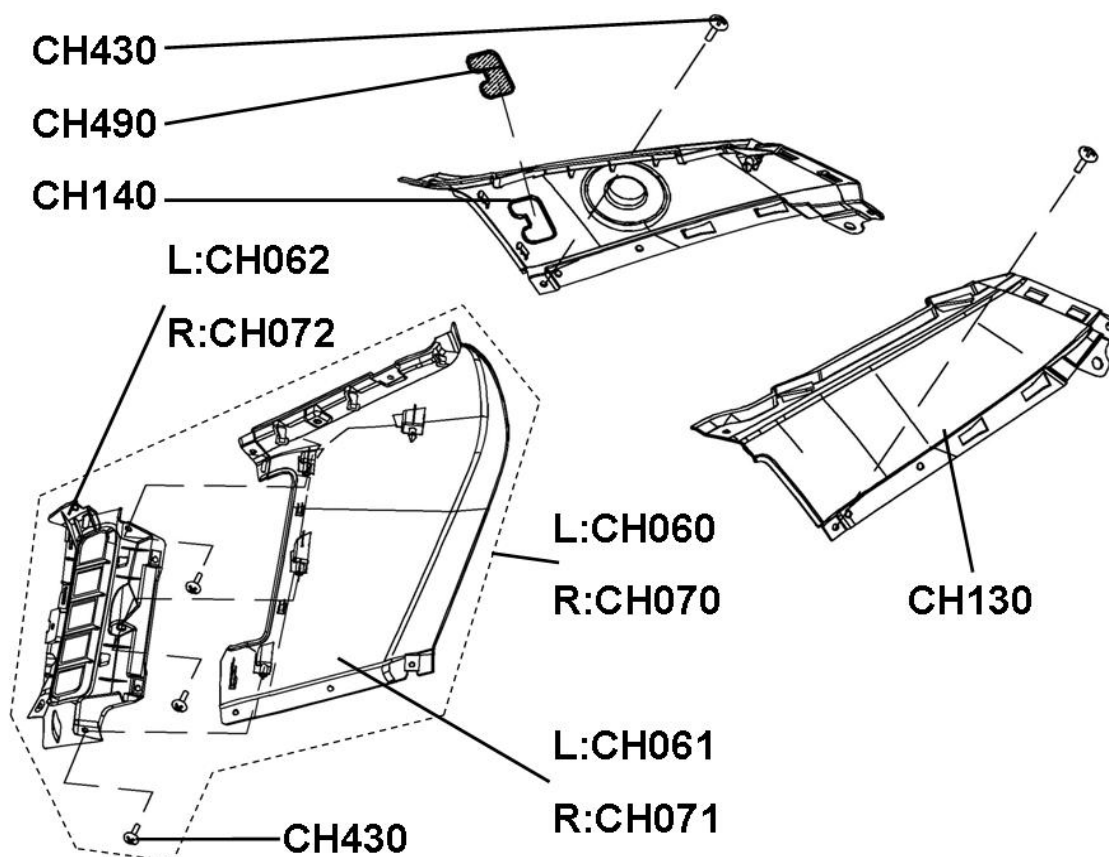
C Gladiator

D Quadrift

| PNC   | PART_NO  | PART_NAME               | Qty |       | REMARK | APPLICATION |   |   |   |
|-------|----------|-------------------------|-----|-------|--------|-------------|---|---|---|
|       |          |                         | ixd | Estoc |        | A           | B | C | D |
| CH170 | 80016034 | ENGINE COVER, LH        | 1   | 1     |        | V           | V | X | X |
| CH175 | 80010160 | BOLT - ENGINE COVER     | 4   | 4     |        | V           | V | X | X |
| CH200 | 80016037 | MUDGUARD, FRONT LH      | 1   | 1     |        | V           | V | X | X |
| CH210 | 80016038 | MUDGUARD, FRONT RH      | 1   | 1     |        | V           | V | X | X |
| CH430 | 80016004 | CROSS RECESSED BOLT - A | 2   | 2     |        | V           | V | V | V |
| CH450 | 70010005 | BOLT, PROTECTOR         | 6   | 6     |        | V           | V | V | V |
| CH460 | 80016009 | RIVET A                 | 8   | 8     |        | V           | V | V | V |



8001-5. SHELL & FANDER (KINGCOBRA & ESTOC)



APPLICATION

A Kingcobra ixd

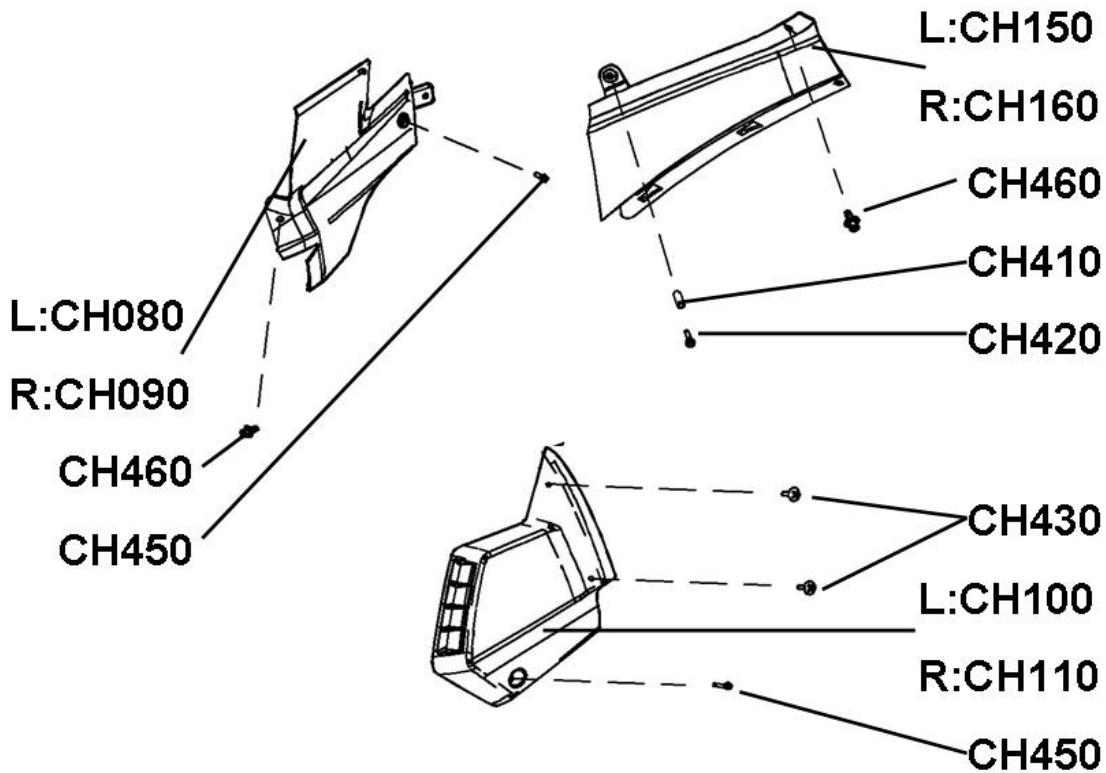
B Estoc

C Gladiator

D Quadrift

| PNC   | PART_NO  | PART_NAME               | Qty |       | REMARK | APPLICATION |   |   |   |
|-------|----------|-------------------------|-----|-------|--------|-------------|---|---|---|
|       |          |                         | ixd | Estoc |        | A           | B | C | D |
| CH060 | 80018016 | FENDER FRONT ASSY_L     | 1   | 1     |        | V           | V | X | X |
| CH061 | 80016023 | FENDER FRONT, LH        | 1   | 1     |        | V           | V | X | X |
| CH062 | 80016049 | VENTILATOR , LH         | 1   | 1     |        | V           | V | X | X |
| CH070 | 80018017 | FENDER FRONT ASSY_R     | 1   | 1     |        | V           | V | X | X |
| CH071 | 80016024 | FENDER FRONT, RH        | 1   | 1     |        | V           | V | X | X |
| CH072 | 80016050 | VENTILATOR , RH         | 1   | 1     |        | V           | V | X | X |
| CH130 | 80016030 | COVER, SIDE LH          | 1   | 1     |        | V           | V | X | X |
| CH140 | 80016031 | COVER, SIDE RH          | 1   | 1     |        | V           | V | X | X |
| CH430 | 80016004 | CROSS RECESSED BOLT - A | 10  | 10    |        | V           | V | V | V |
| CH490 | 80010159 | COVER - 2/4WD           | 0   | 1     |        | X           | V | X | X |

## 8001-6. SHELL &amp; FANDER (KINGCOBRA &amp; ESTOC)



## APPLICATION

A Kingcobra ixd

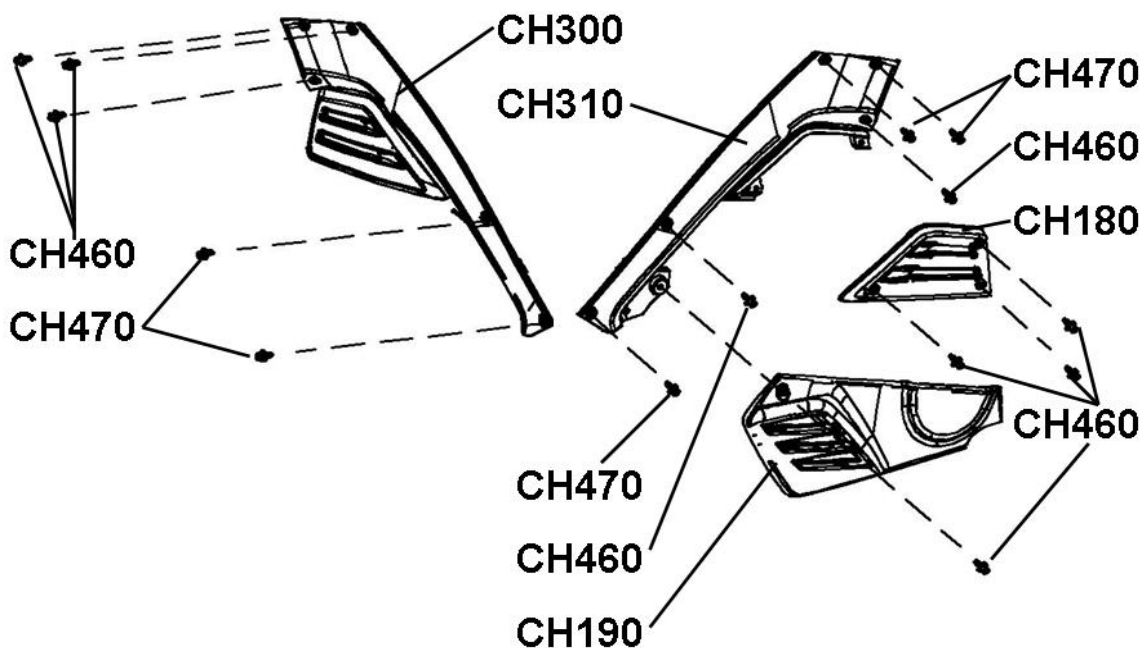
B Estoc

C Gladiator

D Quadrift

| PNC   | PART_NO      | PART_NAME                | Qty |       | REMARK | APPLICATION |   |   |   |
|-------|--------------|--------------------------|-----|-------|--------|-------------|---|---|---|
|       |              |                          | ixd | Estoc |        | A           | B | C | D |
| CH080 | 80016025     | MUDFLAP, UPPER L         | 1   | 1     |        | V           | V | X | X |
| CH090 | 80016026     | MUDFLAP, UPPER R         | 1   | 1     |        | V           | V | X | X |
| CH100 | 80016027     | MUDFLAP, INNER L.H.R.    | 1   | 1     |        | V           | V | X | X |
| CH110 | 80016028     | MUDFLAP, INNER R.H.R.    | 1   | 1     |        | V           | V | X | X |
| CH150 | 80016032     | SIDE PANEL, LH           | 1   | 1     | BLACK  | V           | V | X | X |
|       | 80016077     | SIDE PANEL, LH - ORANGE  | 1   | 1     | ORANGE | V           | V | X | X |
|       | 80016078     | SIDE PANEL, LH - GREY    | 1   | 1     | GRAY   | V           | V | X | X |
| CH160 | 80016033     | SIDE PANEL, RH           | 1   | 1     | BLACK  | V           | V | X | X |
|       | 80016079     | SIDE PANEL, RH - ORANGE  | 1   | 1     | ORANGE | V           | V | X | X |
|       | 80016080     | SIDE PANEL, RH - GREY    | 1   | 1     | GRAY   | V           | V | X | X |
| CH410 | 80010148     | COLLAR - FENDER          | 2   | 2     |        | V           | V | X | X |
| CH420 | BFH060180884 | HEXAGON BOLT WITH FLANGE | 2   | 2     |        | V           | V | V | V |
| CH430 | 80016004     | CROSS RECESSED BOLT - A  | 4   | 4     |        | V           | V | V | V |
| CH450 | 70010005     | BOLT, PROTECTOR          | 4   | 4     |        | V           | V | V | V |
| CH460 | 80016009     | RIVET A                  | 4   | 4     |        | V           | V | V | V |

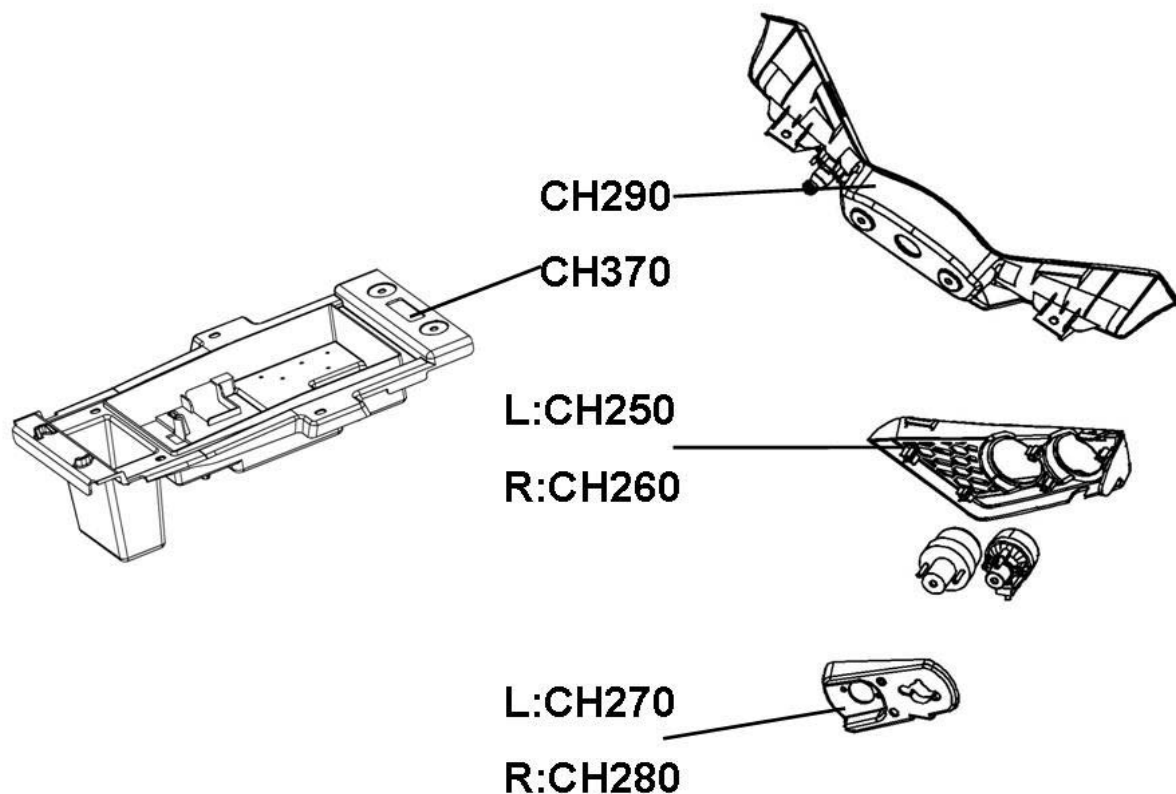
8001-7. SHELL & FANDER (KINGCOBRA & ESTOC)



**APPLICATION**  
**A Kingcobra ixd**  
**B Estoc**  
**C Gladiator**  
**D Quadrift**

| PNC   | PART_NO  | PART_NAME              | Qty |       | REMARK | APPLICATION |   |   |   |
|-------|----------|------------------------|-----|-------|--------|-------------|---|---|---|
|       |          |                        | ixd | Estoc |        | A           | B | C | D |
| CH180 | 80016035 | ENGINE COVER, UPPER RH | 1   | 1     |        | V           | V | X | X |
| CH190 | 80016036 | ENGINE COVER, RH       | 1   | 1     |        | V           | V | X | X |
| CH300 | 80016047 | MUDGUARD PANEL L       | 1   | 1     |        | V           | V | X | X |
| CH310 | 80016048 | MUDGUARD PANEL R       | 1   | 1     |        | V           | V | X | X |
| CH460 | 80016009 | RIVET A                | 8   | 8     |        | V           | V | V | V |
| CH470 | 80016008 | RIVET B                | 5   | 5     |        | V           | V | V | V |

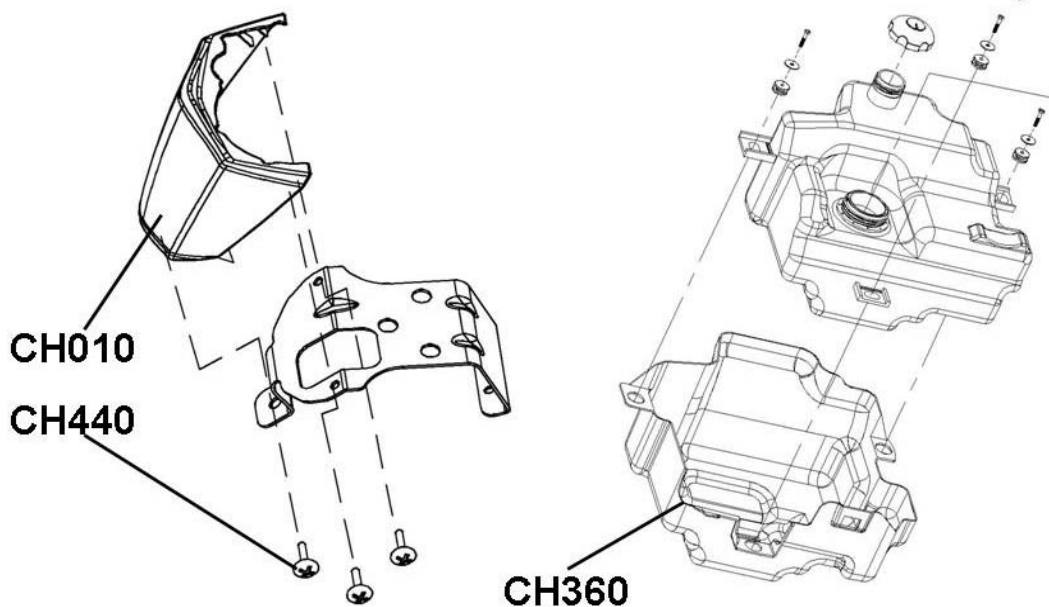
8001-8. SHELL & FANDER (KINGCOBRA & ESTOC)



**APPLICATION**  
**A Kingcobra ixd**  
**B Estoc**  
**C Gladiator**  
**D Quadrift**

| PNC   | PART_NO  | PART_NAME              | Qty |       | REMARK | APPLICATION |   |   |   |
|-------|----------|------------------------|-----|-------|--------|-------------|---|---|---|
|       |          |                        | ixd | Estoc |        | A           | B | C | D |
| CH250 | 80016042 | HOUSING ,REAR LAMP - L | 1   | 1     |        | V           | V | X | X |
| CH260 | 80016043 | HOUSING ,REAR LAMP - R | 1   | 1     |        | V           | V | X | X |
| CH270 | 80016044 | CAISSON - LAMP, RL     | 1   | 1     |        | V           | V | X | X |
| CH280 | 80016045 | CAISSON - LAMP, RR     | 1   | 1     |        | V           | V | X | X |
| CH290 | 80016046 | LID TAIL               | 1   | 1     |        | V           | V | X | X |
| CH370 | 80016053 | ELECTRICAL HOUSING     | 1   | 1     |        | V           | V | X | X |

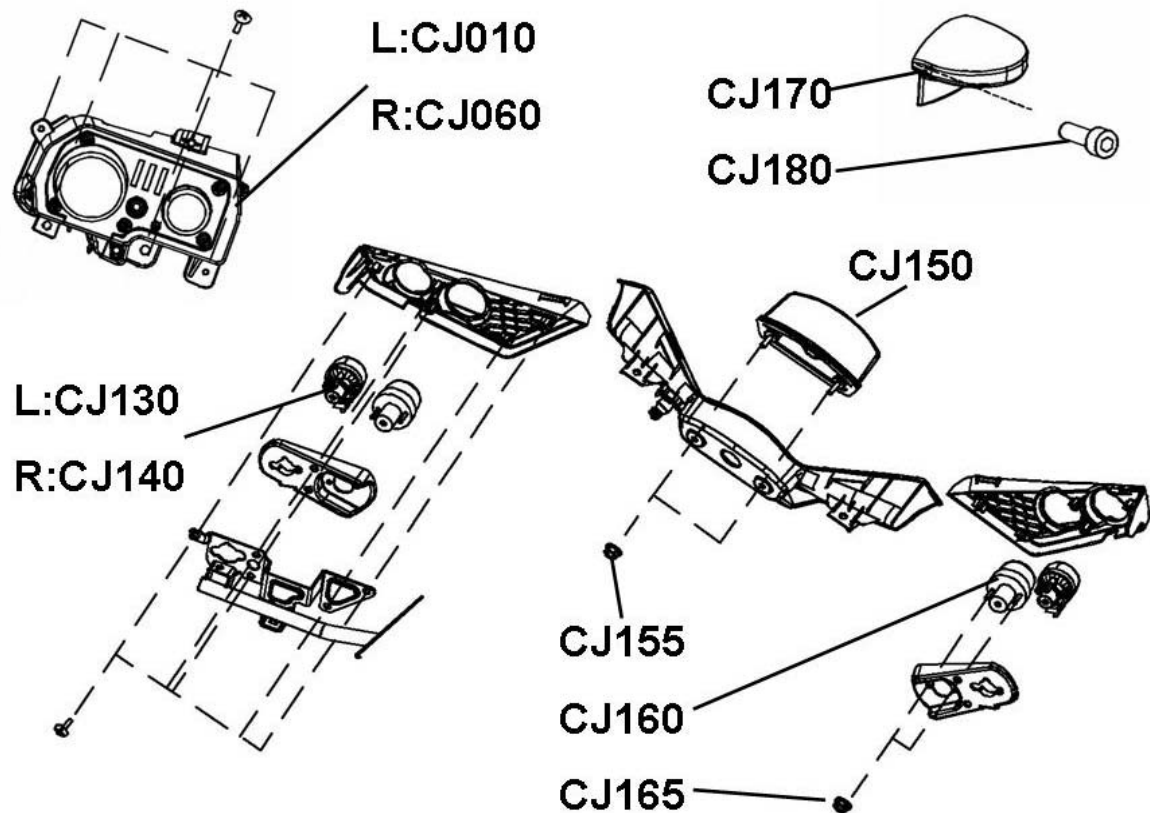
8001-9. SHELL & FANDER (KINGCOBRA & ESTOC)



**APPLICATION**  
**A Kingcobra ixd**  
**B Estoc**  
**C Gladiator**  
**D Quadrift**

| PNC   | PART_NO  | PART_NAME               | Qty |       | REMARK | APPLICATION |   |   |   |
|-------|----------|-------------------------|-----|-------|--------|-------------|---|---|---|
|       |          |                         | ixd | Estoc |        | A           | B | C | D |
| CH010 | 80016018 | COVER - METER           | 1   | 1     |        | V           | V | X | X |
| CH360 | 80010021 | PROTECTOR TANK          | 1   | 1     |        | V           | V | V | V |
| CH440 | 80016005 | GROSS RECESSED BOLT - B | 8   | 8     |        | V           | V | V | V |

## 8002-1. LAMP &amp; METER (KINGCOBRA &amp; ESTOC)



## APPLICATION

A Kingcobra ixd

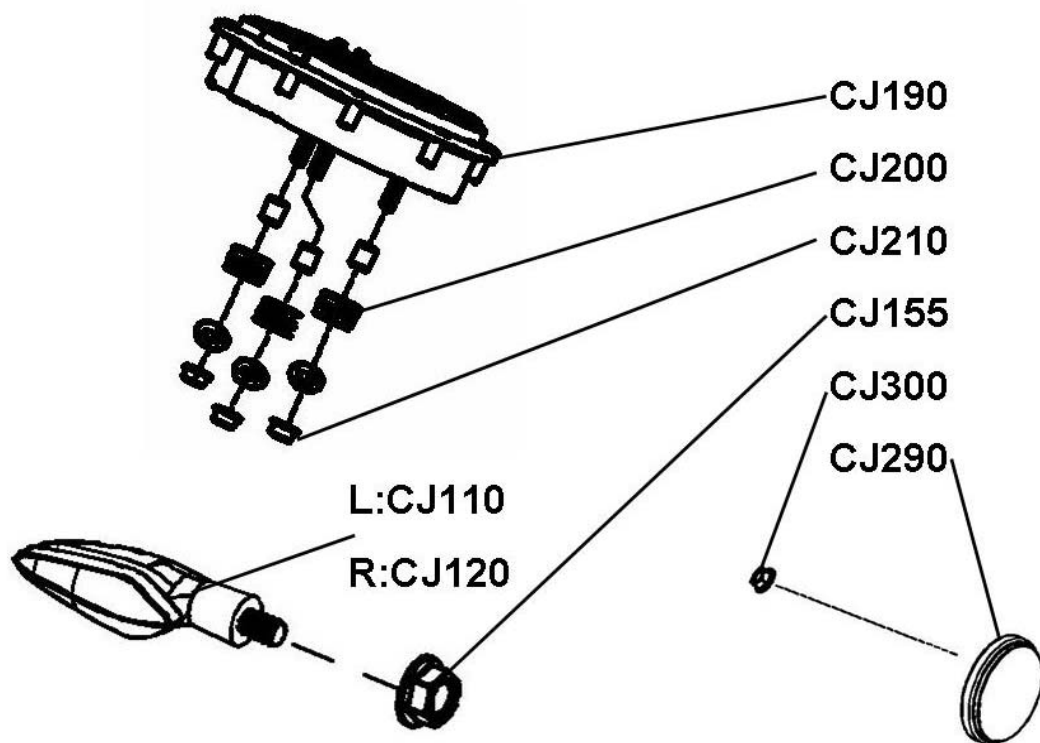
B Estoc

C Gladiator

D Quadrift

| PNC   | PART_NO  | PART_NAME                           | Qty |       | REMARK | APPLICATION |   |   |   |
|-------|----------|-------------------------------------|-----|-------|--------|-------------|---|---|---|
|       |          |                                     | ixd | Estoc |        | A           | B | C | D |
| CJ010 | 80026037 | HEADLAMP ASSY., R                   | 1   | 1     |        | V           | V | X | X |
|       | 80026042 | HEADLAMP ASSY., R (UK)              | 1   | 1     | UK     | V           | V | X | X |
| CJ060 | 80026036 | HEADLAMP ASSY., L                   | 1   | 1     |        | V           | V | X | X |
|       | 80026041 | HEADLAMP ASSY., L (UK)              | 1   | 1     | UK     | V           | V | X | X |
| CJ130 | 80026022 | LAMP ASSY., DIRECTION INDICATOR, RR | 1   | 1     |        | V           | V | X | X |
| CJ140 | 80026023 | LAMP ASSY., DIRECTION INDICATOR, RL | 1   | 1     |        | V           | V | X | X |
| CJ150 | 80026024 | LAMP ASSY., REAR COMB               | 1   | 1     |        | V           | V | X | X |
| CJ155 | FN0608T3 | HEXAGON NUT WITH FLANGE             | 2   | 2     |        | V           | V | V | V |
| CJ160 | 80026025 | LAMP ASSY., REAR INDICATOR          | 2   | 2     | LOF    | V           | V | X | X |
|       | 80026045 | LAMP ASSY., REAR BR&POS             | 2   | 2     |        | V           | V | X | X |
| CJ165 | FN0404T3 | HEXAGON NUT WITH FLANGE             | 4   | 4     |        | V           | V | V | V |
| CJ170 | 80026008 | LAMP ASSY., LICENCE                 | 1   | 1     |        | V           | V | V | V |
| CJ180 | 80026063 | BOLT M5*16 , LAMP LICENCE           | 1   | 1     |        | V           | V | V | V |

8002-2. LAMP & METER (KINGCOBRA & ESTOC)

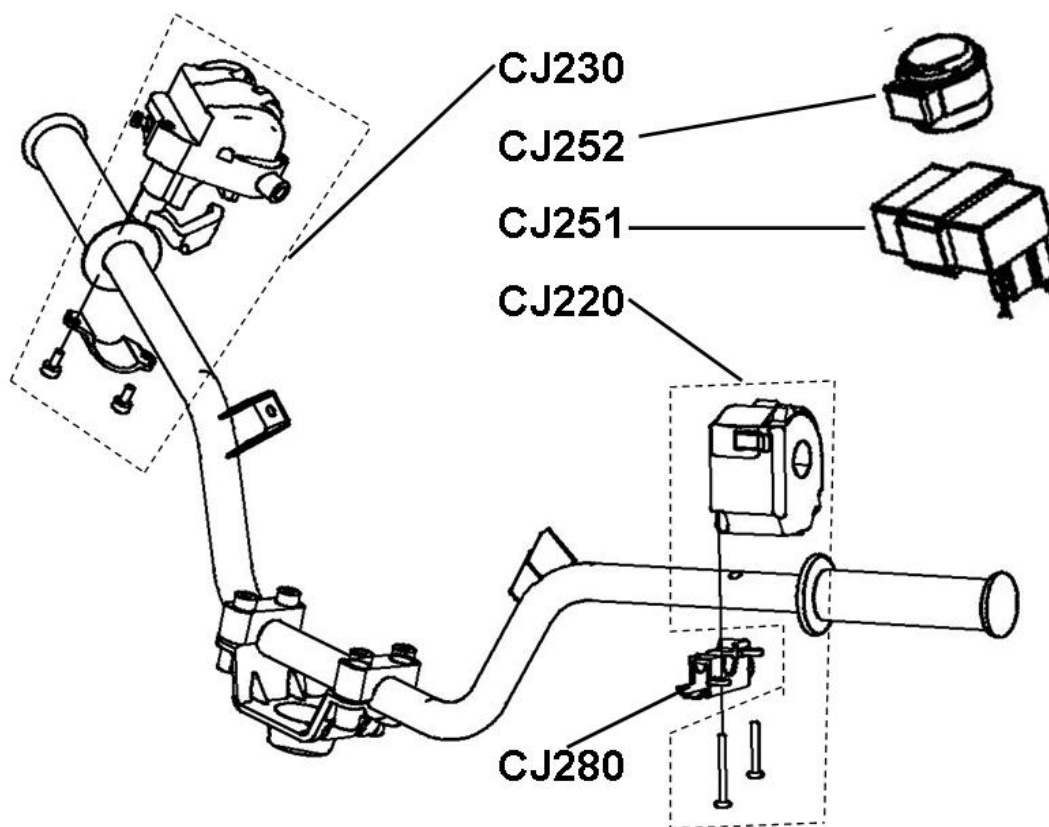


**APPLICATION**  
**A Kingcobra ixd**  
**B Estoc**  
**C Gladiator**  
**D Quadrift**

| PNC   | PART_NO  | PART_NAME                           | Qty |       | REMARK | APPLICATION |   |   |   |
|-------|----------|-------------------------------------|-----|-------|--------|-------------|---|---|---|
|       |          |                                     | ixd | Estoc |        | A           | B | C | D |
| CJ110 | 80026020 | LAMP ASSY., DIRECTION INDICATOR, FR | 1   | 1     |        | V           | V | X | X |
| CJ120 | 80026021 | LAMP ASSY., DIRECTION INDICATOR, FL | 1   | 1     |        | V           | V | X | X |
| CJ155 | FN0608T3 | HEXAGON NUT WITH FLANGE             | 2   | 2     |        | V           | V | V | V |
| CJ190 | 80026065 | SPEEDMETER ASSY.                    | 1   | 1     |        | V           | V | X | X |
| CJ200 | 80020002 | RUBBER MOUNT - METER                | 3   | 3     |        | V           | V | V | V |
| CJ210 | FN0608T3 | HEXAGON NUT WITH FLANGE             | 3   | 3     |        | V           | V | V | V |
| CJ290 | 80026017 | REFLECTOR ASSY. (REAR)              | 2   | 2     |        | V           | V | V | V |
| CJ300 | FN0608T3 | HEXAGON NUT WITH FLANGE             | 2   | 2     |        | V           | V | V | V |



8002-3. LAMP & METER (KINGCOBRA & ESTOC)



APPLICATION

A Kingcobra ixd

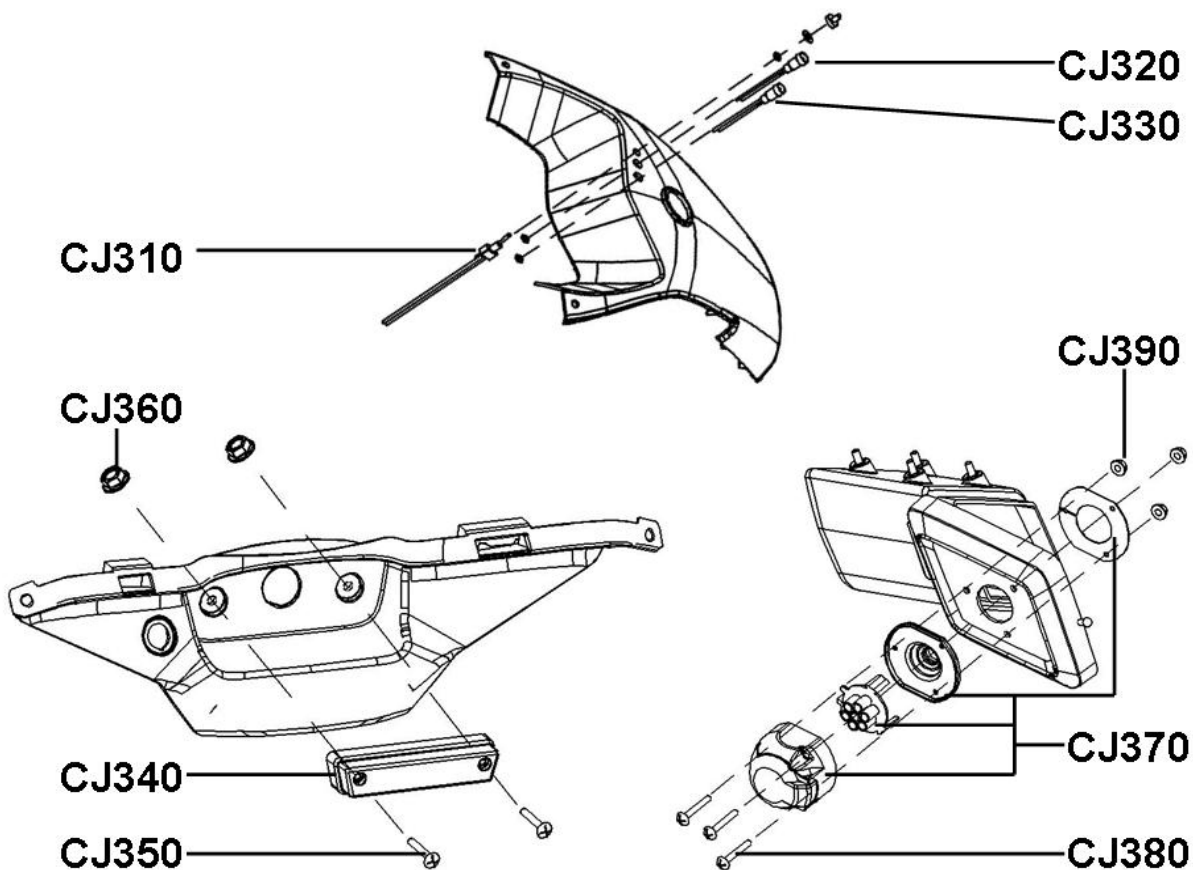
B Estoc

C Gladiator

D Quadrift

| PNC   | PART_NO  | PART_NAME                    | Qty |       | REMARK | APPLICATION |   |   |   |
|-------|----------|------------------------------|-----|-------|--------|-------------|---|---|---|
|       |          |                              | ixd | Estoc |        | A           | B | C | D |
| CJ220 | 80026010 | SWITCH ASSY. - L             | 1   | 1     |        | V           | V | V | V |
| CJ230 | 80026016 | SWITCH ASSY. - R (1 DIFF.)   | 0   | 1     |        | X           | V | X | V |
|       | 80026011 | SWITCH ASSY. - R (2 DIFF.)   | 1   | 0     |        | V           | X | V | X |
| CJ251 | 80026067 | FLASHER CONTROLLER           | 1   | 1     |        | V           | V | X | X |
|       | 80026051 | FLASHER CONTROLLER - LOF, XB | 1   | 1     | LOF    | V           | V | X | X |
| CJ252 | 80026033 | FLASHER - CLICK              | 1   | 1     |        | V           | V | V | V |
| CJ280 | 80026015 | SWITCH ASSY. - OVERRIDE      | 1   | 1     |        | V           | V | V | V |

8002-4. LAMP & METER (KINGCOBRA & ESTOC)

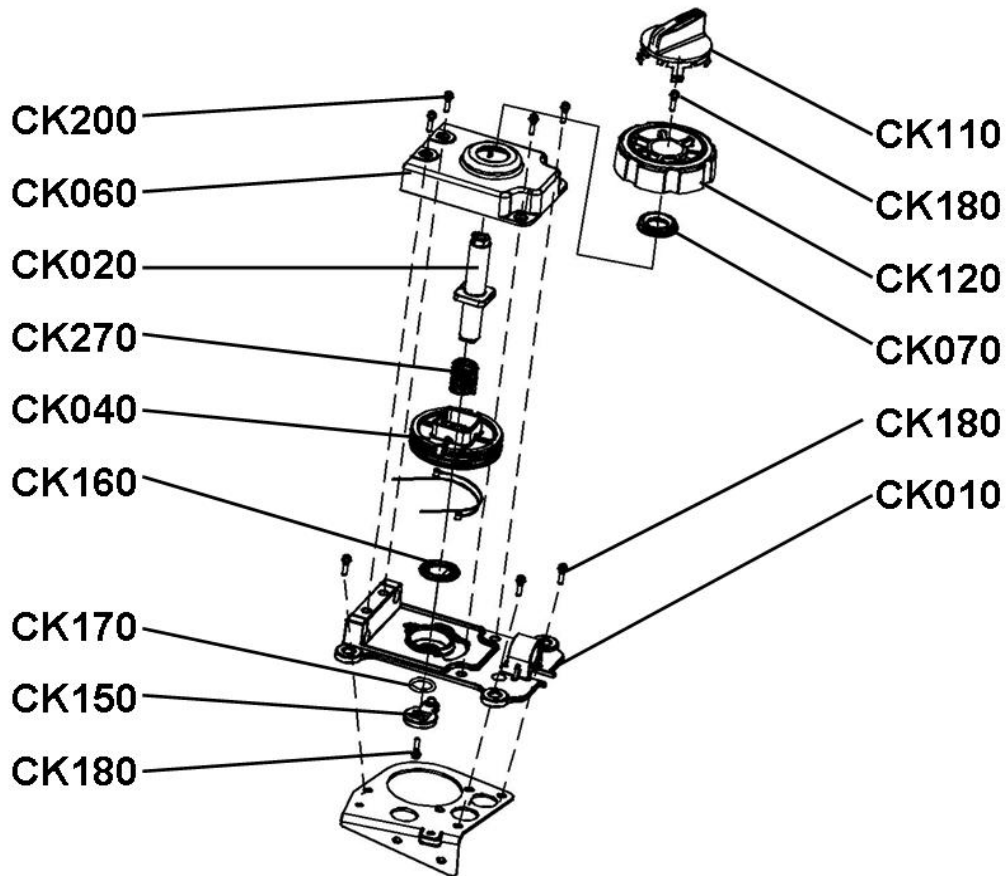


APPLICATION

- A Kingcobra ixd
- B Estoc
- C Gladiator
- D Quadrift

| PNC   | PART_NO  | PART_NAME                        | Qty |       | REMARK | APPLICATION |   |   |   |
|-------|----------|----------------------------------|-----|-------|--------|-------------|---|---|---|
|       |          |                                  | ixd | Estoc |        | A           | B | C | D |
| CJ310 | 80026048 | SWITCH-FOG LAMP                  | 1   | 1     | LOF    | V           | V | V | V |
| CJ320 | 80026049 | ID LAMP-TOW CONNECT              | 1   | 1     | LOF    | V           | V | V | V |
| CJ330 | 80026050 | ID LAMP-FOG LAMP                 | 1   | 1     | LOF    | V           | V | V | V |
| CJ340 | 80026044 | FOG LAMP                         | 1   | 1     | LOF    | V           | V | V | V |
| CJ350 | 80026052 | BOLT_FOG LAMP                    | 2   | 2     | LOF    | V           | V | V | V |
| CJ360 | FN0404T3 | HEXAGON NUT WITH FLANGE          | 2   | 2     |        | V           | V | V | V |
| CJ370 | 80020028 | TOW-SOCKET                       | 1   | 1     | LOF    | V           | V | V | V |
| CJ380 | 80056021 | BOLT-SOCKET                      | 3   | 3     | LOF    | V           | V | V | V |
| CJ390 | 80026035 | HEXAGON NUT WITH FLANGE (M5*0.8) | 3   | 3     | LOF    | V           | V | V | V |

## 8003-1. CONTROL LEVER / BAR (KINGCOBRA &amp;



## APPLICATION

A Kingcobra ixd

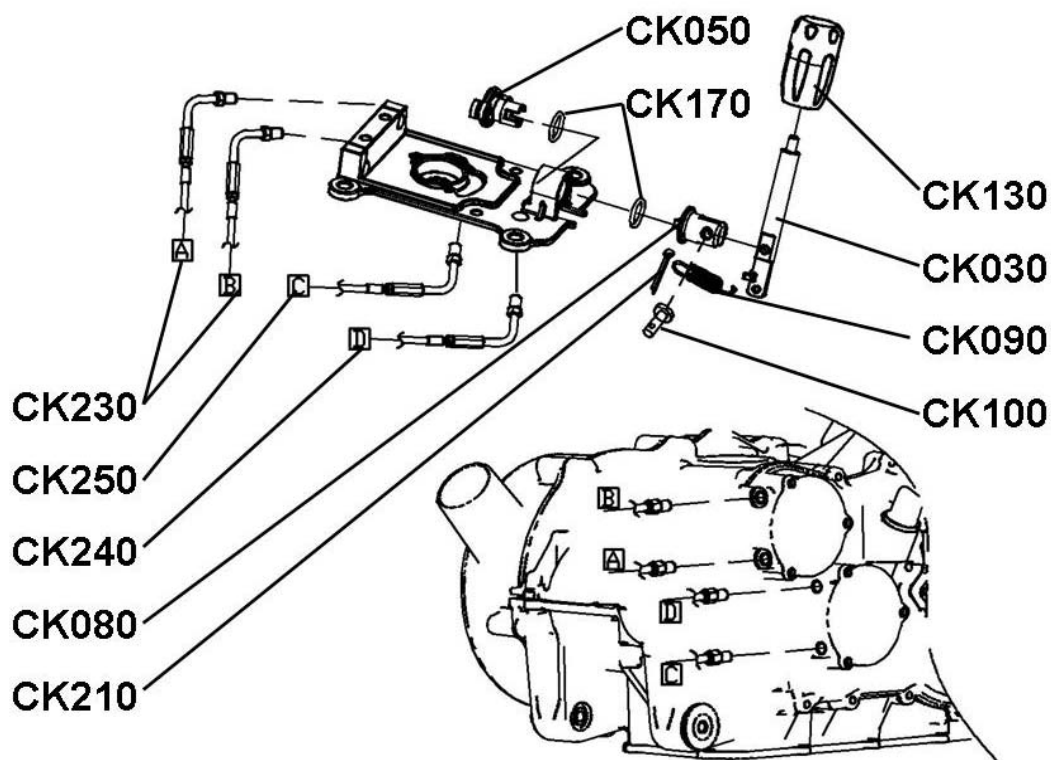
B Estoc

C Gladiator

D Quadrift

| PNC   | PART_NO      | PART_NAME                      | Qty |       | REMARK | APPLICATION |   |   |   |
|-------|--------------|--------------------------------|-----|-------|--------|-------------|---|---|---|
|       |              |                                | ixd | Estoc |        | A           | B | C | D |
| CK010 | 80030018     | HOUSING - SHIFT                | 1   | 1     |        | V           | V | X | X |
| CK020 | 80030019     | PUSH ROD                       | 1   | 1     |        | V           | V | X | X |
| CK040 | 80030021     | DRIVER - WIRE                  | 1   | 1     |        | V           | V | X | X |
| CK060 | 80030023     | COVER - PROTECT                | 1   | 1     |        | V           | V | X | X |
| CK070 | 80030024     | SEAL - COVER                   | 1   | 1     |        | V           | V | X | X |
| CK110 | 80030028     | REVOLVE LEVER                  | 1   | 1     |        | V           | V | X | X |
| CK120 | 80030029     | REVOLVE BUTTON                 | 1   | 1     |        | V           | V | X | X |
| CK150 | 80030009     | RETAINING PLATE                | 1   | 1     |        | V           | V | V | V |
| CK160 | 80030017     | BEARING - AXK1103              | 1   | 1     |        | V           | V | V | V |
| CK170 | 60090015     | O-RING - $\phi 15 \times D2.4$ | 3   | 3     |        | V           | V | V | V |
| CK180 | BFH060140884 | HEXAGON BOLT WITH FLANGE       | 2   | 2     |        | V           | V | V | V |
| CK200 | 70010005     | BOLT, PROTECTOR                | 4   | 4     |        | V           | V | V | V |
| CK210 | 60090010     | SPLIT PIN - PEDAL              | 1   | 1     |        | V           | V | V | V |
| CK230 | 80036011     | DRIVE WIRE ASSY. _XB           | 2   | 2     |        | V           | V | X | X |
| CK270 | 80030008     | SPRING - SHIFT_BUTTON          | 1   | 1     |        | V           | V | V | V |

## 8003-2. CONTROL LEVER / BAR (KINGCOBRA &amp;



## APPLICATION

A Kingcobra ixd

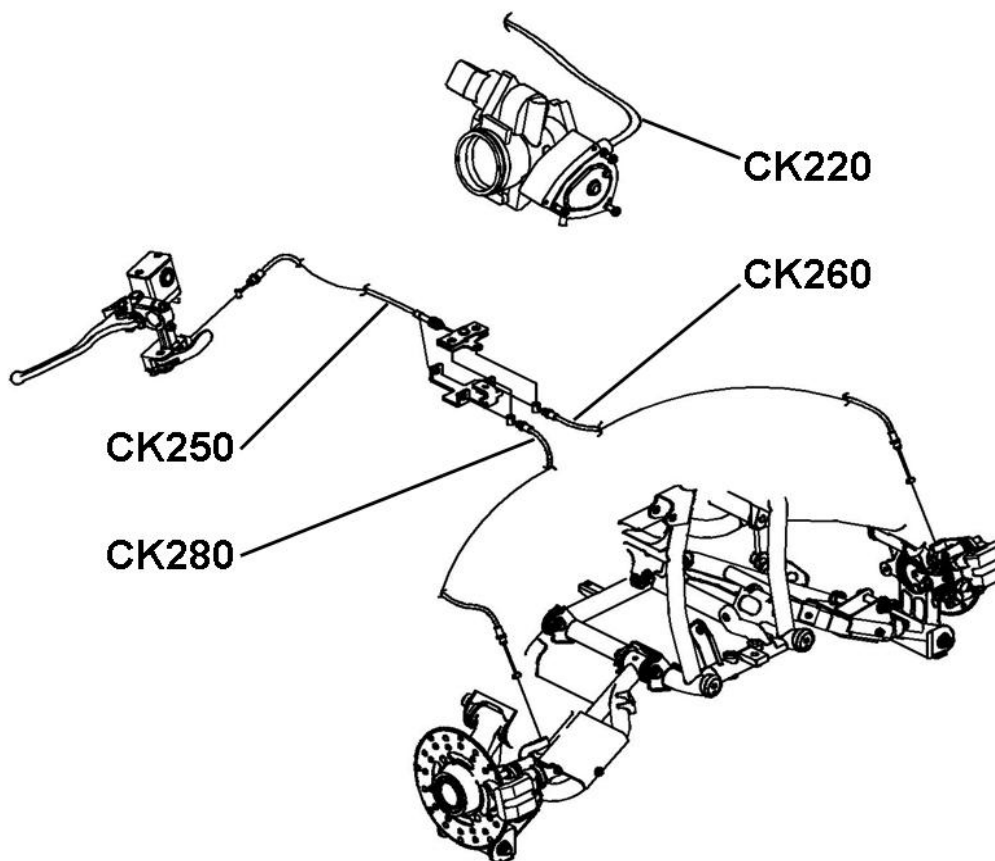
B Estoc

C Gladiator

D Quadrift

| PNC   | PART_NO  | PART_NAME                      | Qty |       | REMARK | APPLICATION |   |   |   |
|-------|----------|--------------------------------|-----|-------|--------|-------------|---|---|---|
|       |          |                                | ixd | Estoc |        | A           | B | C | D |
| CK030 | 80030020 | PUSH ROD_2/4WD                 | 1   | 0     |        | V           | X | X | X |
| CK050 | 80030022 | DRIVER - WIRE_2/4WD            | 1   | 0     |        | V           | X | X | X |
| CK080 | 80030025 | CONNECTOR_2/4WD                | 1   | 0     |        | V           | X | X | X |
| CK090 | 80030026 | SPRING - RETURN_2/4WD          | 1   | 0     |        | V           | X | X | X |
| CK100 | 80030027 | PIN_2/4WD                      | 1   | 0     |        | V           | X | X | X |
| CK130 | 80036008 | SHIFT BAR_2/4WD                | 1   | 0     |        | V           | X | X | X |
| CK170 | 60090015 | O-RING - $\phi 15 \times D2.4$ | 3   | 3     |        | V           | V | V | V |
| CK210 | 60090010 | SPLIT PIN - PEDAL              | 1   | 1     |        | V           | V | V | V |
| CK230 | 80036011 | DRIVE WIRE ASSY. _XB           | 2   | 2     |        | V           | V | X | X |
| CK240 | 80036006 | DRIVE WIRE ASSY. - 2/4WD_XB    | 2   | 0     |        | V           | X | X | X |
| CK250 | 80036013 | DRIVE WIRE ASSY. - 2/4WD_XB_S  | 1   | 0     |        | V           | X | X | X |

8003-3. CONTROL LEVER / BAR (KINGCOBRA & -----

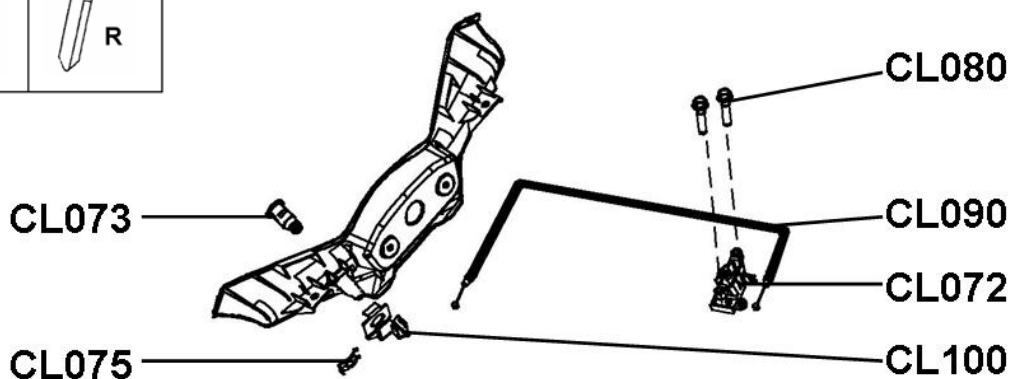
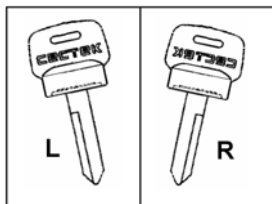
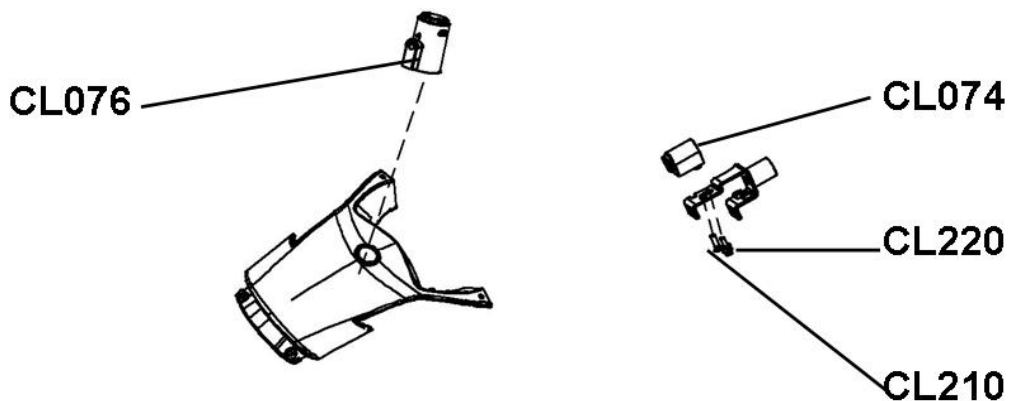


**APPLICATION**

- A Kingcobra ixd
- B Estoc
- C Gladiator
- D Quadrift

| PNC   | PART_NO  | PART_NAME                         | Qty |       | REMARK | APPLICATION |   |   |   |
|-------|----------|-----------------------------------|-----|-------|--------|-------------|---|---|---|
|       |          |                                   | ixd | Estoc |        | A           | B | C | D |
| CK220 | 80036004 | CABLE ASSY. - THROTTLE            | 1   | 1     |        | V           | V | V | V |
| CK250 | 80036009 | PARKING WIRE ASSY._MAIN           | 1   | 1     |        | V           | V | V | V |
| CK260 | 80036010 | PARKING WIRE_ASSY._CALIPER        | 1   | 1     |        | V           | V | V | V |
| CK280 | 80036014 | PARKING WIRE ASSY._CALIPER - L_XB | 1   | 1     |        | V           | V | X | X |

8004-1. ACCESSORY (KINGCOBRA & ESTOC)



APPLICATION

A Kingcobra ixd

B Estoc

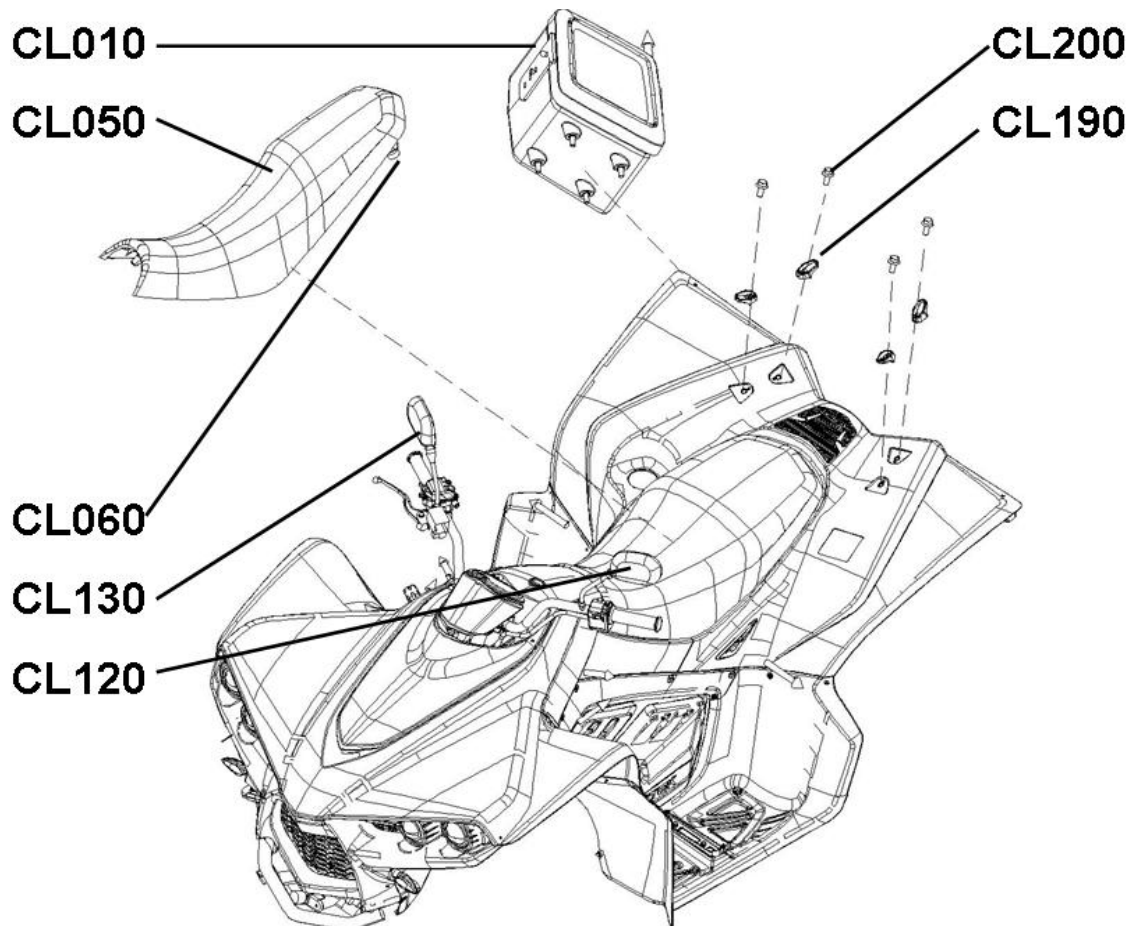
C Gladiator

D Quadrift

| PNC   | PART_NO      | PART_NAME                | Qty |       | REMARK | APPLICATION |   |   |   |
|-------|--------------|--------------------------|-----|-------|--------|-------------|---|---|---|
|       |              |                          | ixd | Estoc |        | A           | B | C | D |
| CL000 | 980040004    | BLANK KEY - LEFT         | 1   | 1     |        | V           | V | V | V |
|       | 980040005    | BLANK KEY - RIGHT        | 1   | 1     |        | V           | V | V | V |
| CL074 | 80046013     | LOCK-STEERING            | 1   | 1     |        | V           | V | X | X |
| CL076 | 80046015     | SWITCH ASSY, IGNITION    | 1   | 1     |        | V           | V | X | X |
| CL210 | 80046016     | BOLT - LOCK STEERING     | 1   | 1     |        | V           | V | X | X |
| CL220 | 70056004     | BREAK HEAD BOLT          | 1   | 1     |        | V           | V | X | X |
| CL072 | 80046003     | LOCK - SEAT SET          | 1   | 1     |        | V           | V | V | V |
| CL073 | 80046010     | SWITCH ASSY-SEAT LOCK    | 1   | 1     |        | V           | V | X | X |
| CL075 | 80046014     | FIX - PLATE, SEAT LOCK   | 1   | 1     |        | V           | V | X | X |
| CL080 | BFH060140884 | HEXAGON BOLT WITH FLANGE | 2   | 2     |        | V           | V | V | V |
| CL090 | 80046011     | WIRE-SEAT LOCK           | 1   | 1     |        | V           | V | X | X |
| CL100 | 80040008     | BKT, SEAT LOCK           | 1   | 1     |        | V           | V | X | X |



8004-2. ACCESSORY (KINGCOBRA & ESTOC)



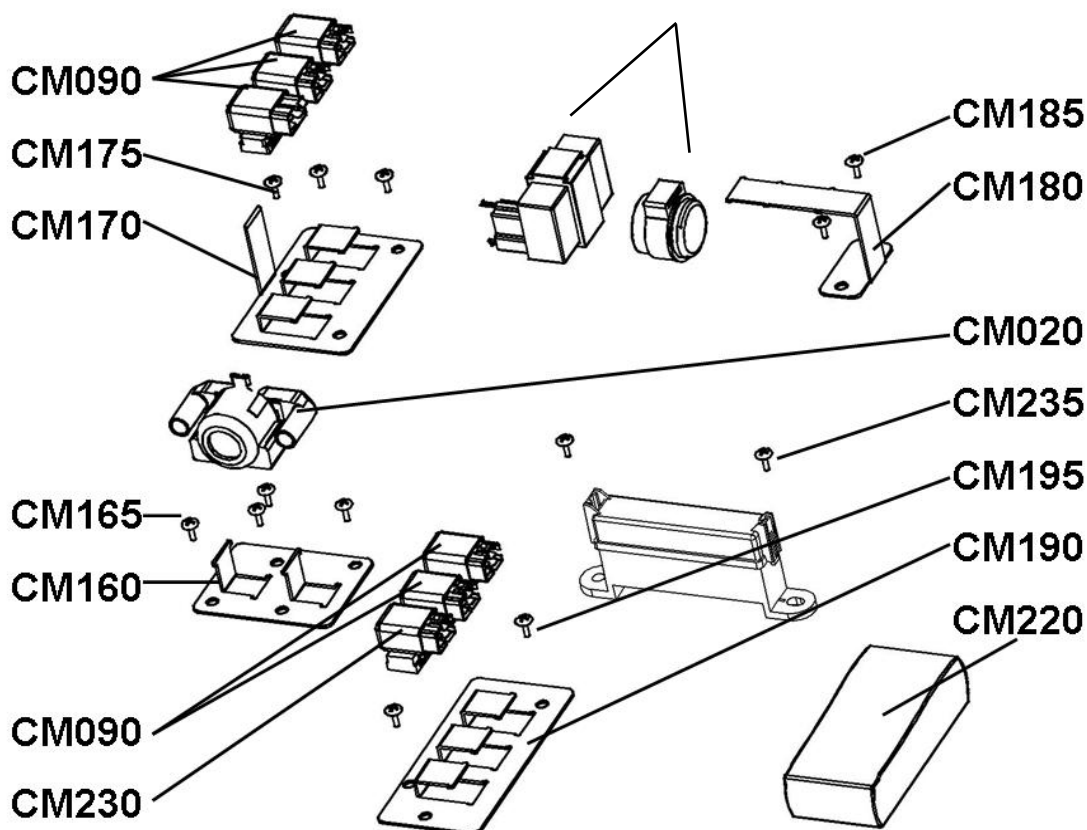
**APPLICATION**  
**A Kingcobra ixd**  
**B Estoc**  
**C Gladiator**  
**D Quadrift**

| PNC   | PART_NO  | PART_NAME              | Qty |       | REMARK | APPLICATION |   |   |   |
|-------|----------|------------------------|-----|-------|--------|-------------|---|---|---|
|       |          |                        | ixd | Estoc |        | A           | B | C | D |
| CL010 | 80048005 | REAR BOX , ASSY.       | 1   | 1     |        | V           | V | X | X |
|       | 80048008 | REAR BOX , ASSY. - LOF | 1   | 1     | LOF    | V           | V | X | X |
| CL050 | 80048006 | SEAT SET ASSY.         | 1   | 1     |        | V           | V | X | X |
| CL060 | 80040004 | CUSHION - SEAT         | 6   | 6     |        | V           | V | V | V |
| CL120 | 80046005 | MIRROR ASSY. LEFT      | 1   | 1     |        | V           | V | V | V |
| CL130 | 80046006 | MIRROR ASSY. RIGHT     | 1   | 1     |        | V           | V | V | V |
| CL190 | 80040011 | HOOK, CARRIER          | 4   | 4     |        | V           | V | X | X |
| CL200 | 80040012 | BOLT - HOOK, CARRIER   | 4   | 4     |        | V           | V | X | X |



## 8005-1. ELECTRICAL (KINGCOBRA &amp; ESTOC)

Siehe Seite 50



## APPLICATION

A Kingcobra ixd

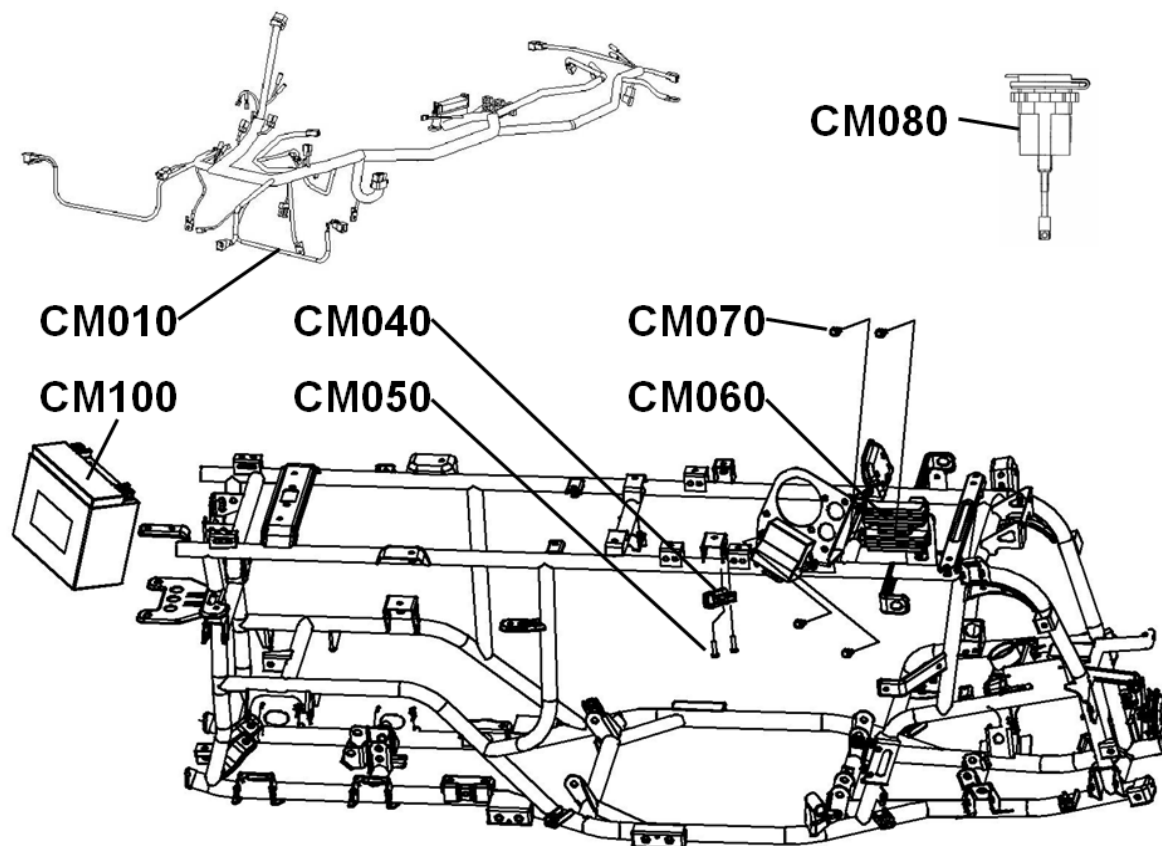
B Estoc

C Gladiator

D Quadrift

| PNC   | PART_NO  | PART_NAME                 | Qty |       | REMARK | APPLICATION |   |   |   |
|-------|----------|---------------------------|-----|-------|--------|-------------|---|---|---|
|       |          |                           | ixd | Estoc |        | A           | B | C | D |
| CM020 | 80056001 | RELAY ASSY., STARTING MOT | 1   | 1     |        | V           | V | V | V |
| CM090 | 80056005 | RELAY                     | 5   | 5     |        | V           | V | V | V |
| CM160 | 80050010 | PLATE - ELE, A            | 1   | 1     |        | V           | V | V | V |
| CM165 | 80016004 | CROSS RECESSED BOLT - A   | 3   | 3     |        | V           | V | V | V |
| CM170 | 80050007 | PLATE - ELE, B            | 1   | 1     |        | V           | V | V | V |
| CM175 | 80016004 | CROSS RECESSED BOLT - A   | 4   | 4     |        | V           | V | V | V |
| CM180 | 80050021 | PLATE - ELE, C - 2        | 1   | 1     |        | V           | V | X | X |
| CM185 | 80016004 | CROSS RECESSED BOLT - A   | 2   | 2     |        | V           | V | V | V |
| CM190 | 80050011 | PLATE - ELE, D            | 1   | 1     |        | V           | V | V | V |
| CM195 | 80016004 | CROSS RECESSED BOLT - A   | 3   | 3     |        | V           | V | V | V |
| CM220 | 80056017 | DCU                       | 1   | 1     |        | V           | V | X | X |
| CM230 | 80056014 | RELAY - 30A               | 1   | 1     |        | V           | V | V | V |
| CM235 | 80016004 | CROSS RECESSED BOLT - A   | 2   | 2     |        | V           | V | V | V |

8005-2. ELECTRICAL (KINGCOBRA & ESTOC)

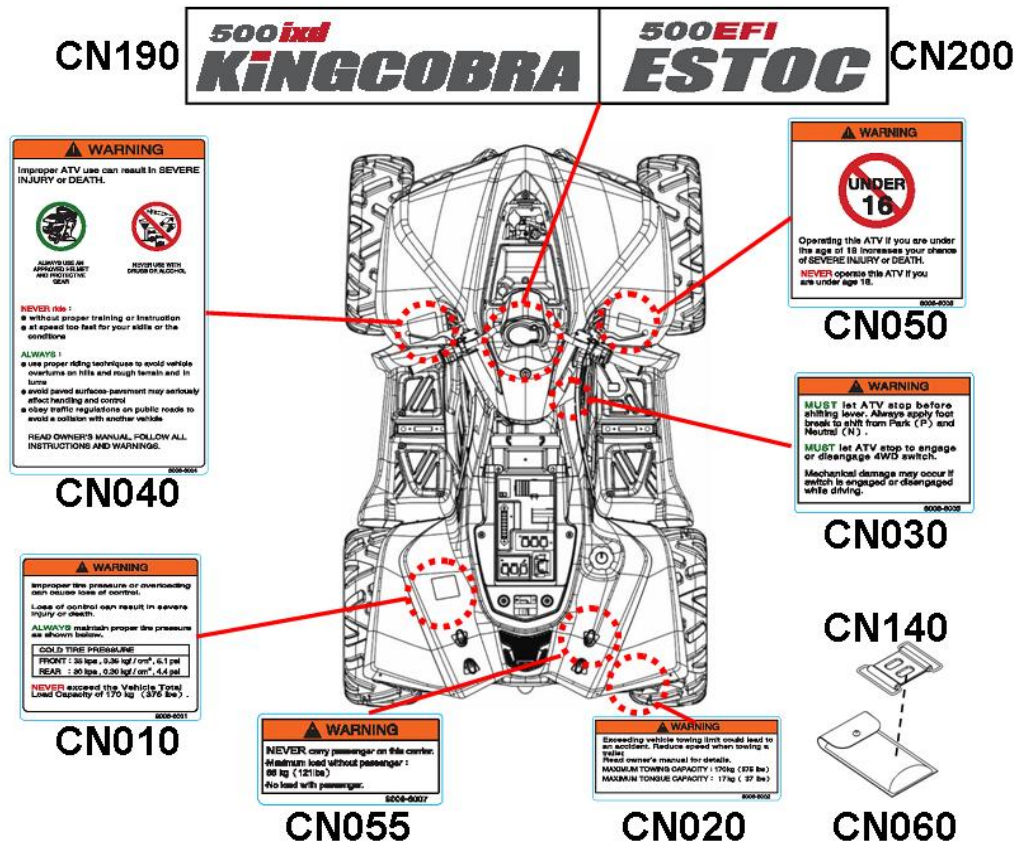


**APPLICATION**

- A Kingcobra ixd
- B Estoc
- C Gladiator
- D Quadrift

| PNC   | PART_NO      | PART_NAME                | Qty |       | REMARK | APPLICATION |   |   |   |
|-------|--------------|--------------------------|-----|-------|--------|-------------|---|---|---|
|       |              |                          | ixd | Estoc |        | A           | B | C | D |
| CM010 | 80050014     | HARNESS, WIRING-X2       | 1   | 1     |        | V           | V | X | X |
|       | 80050026     | HARNESS, WIRING-X2 , LOF | 1   | 1     | LOF    | V           | V | X | X |
| CM040 | 80056002     | SENSOR ASSY., FUEL CUT   | 1   | 1     |        | V           | V | V | V |
| CM050 | BFH040250884 | HEXAGON BOLT WITH FLANGE | 2   | 2     |        | V           | V | V | V |
| CM060 | 80056003     | RECTIFIER ASSY.          | 1   | 1     |        | V           | V | V | V |
| CM070 | BFH060200884 | HEXAGON BOLT WITH FLANGE | 2   | 2     |        | V           | V | V | V |
| CM080 | 80056004     | TERMINAL, POWER SOURCE   | 1   | 1     |        | V           | V | V | V |
| CM100 | 80056006     | BATTERY                  | 1   | 1     |        | V           | V | V | V |

8006. LABEL & TOOLS (KINGCOBRA & ESTOC)



APPLICATION

- A Kingcobra ixd
- B Estoc
- C Gladiator
- D Quadrift

| PNC   | PART_NO  | PART_NAME                              | Qty |       | REMARK      | APPLICATION |   |   |   |
|-------|----------|--|-----|-------|-------------|-------------|---|---|---|
|       |          |  | ixd | Estoc |             | A           | B | C | D |
| CN010 | 80066001 | LABEL, TIRE SPEC. (OFF ROAD)           | 1   | 0     |             | V           | X | V | X |
|       | 80066032 | LABEL, TIRE SPEC. (OFF ROAD)           | 1   | 0     | FRA         | V           | X | V | X |
|       | 80066017 | LABEL, TIRE SPEC.(ON ROAD)             | 0   | 1     |             | X           | V | X | V |
|       | 80066040 | LABEL, TIRE SPEC. (ON ROAD)            | 0   | 1     | FRA         | X           | V | X | V |
| CN020 | 80066002 | LABEL, WARNING TRAILER                 | 1   | 1     |             | V           | V | V | V |
|       | 80066033 | LABEL, WARNING TRAILER                 | 1   | 1     | FRA         | V           | V | V | V |
| CN030 | 80066003 | LABEL, GEAR SHIFTING (2/4WD)           | 1   | 0     |             | V           | X | V | X |
|       | 80066034 | LABEL, GEAR SHIFTING (2/4WD)           | 1   | 0     | FRA         | V           | X | V | X |
|       | 80066008 | LABEL - GEAR SHIFTING (2WD)            | 0   | 1     |             | X           | V | X | V |
|       | 80066039 | LABEL - GEAR SHIFTING (2WD)            | 0   | 1     | FRA         | X           | V | X | V |
| CN040 | 80066004 | LABEL, WARNING                         | 1   | 1     |             | V           | V | X | X |
|       | 80066035 | LABEL, WARNING                         | 1   | 1     | FRANCE      | V           | V | X | X |
| CN050 | 80066005 | LABEL, AGE16                           | 1   | 1     |             | V           | V | V | V |
|       | 80066036 | LABEL, AGE16                           | 1   | 1     | FRA         | V           | V | V | V |
| CN055 | 80066006 | LABEL, FRONT CARRIER (OFF ROAD)        | 1   | 1     |             | V           | V | V | X |
| CN060 | 80068001 | TOOL BAG ASSY.                         | 1   | 1     |             | V           | V | V | V |
| CN140 | 80066016 | CLIP                                   | 1   | 1     |             | V           | V | V | V |
| CN190 | 80066041 | LABEL - VEHICLE NAME (KINGCOBRA-ixd)-B | 2   | 0     | ORANGE/GRAY | V           | X | X | X |
|       | 80066045 | LABEL - VEHICLE NAME (KINGCOBRA-ixd)-S | 2   | 0     | BLACK       | V           | X | X | X |
| CN200 | 80066042 | LABEL - VEHICLE NAME (ESTOC)-B         | 0   | 2     | ORANGE/GRAY | X           | V | X | X |
|       | 80066048 | LABEL - VEHICLE NAME(ESTOC)-S          | 0   | 2     | BLACK       | X           | V | X | X |